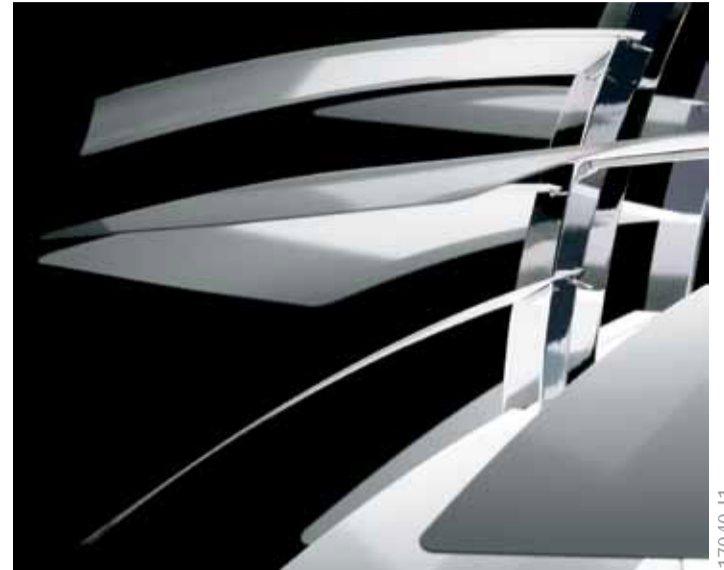
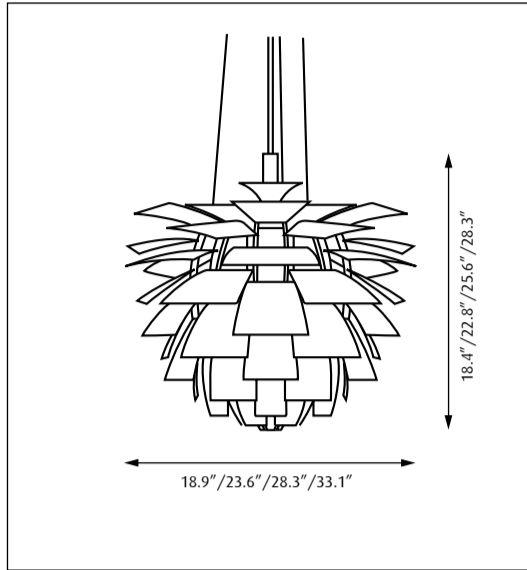


PH Artichoke

Design Poul Henningsen



17040-11

Light source	Voltage	Weight - Metal Frame	Weight - Glass Frame	Electric shock protection	Ingress protection
18.9\"/>	120V	Max 20 Lbs	Max 24 Lbs	Cl. I	IP 20
23.6\"/>	120V	Max 41 Lbs	Max 44 Lbs	Cl. I	IP 20
28.3\"/>	120V	Max 44 Lbs	Max 55 Lbs	Cl. I	IP 20
33.1\"/>	120V	Max 61 Lbs	Max 73 Lbs	Cl. I	IP 20

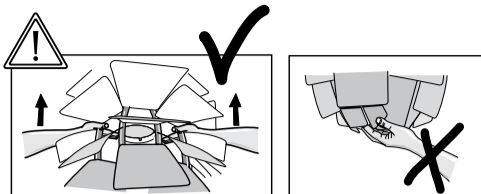
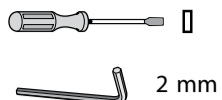
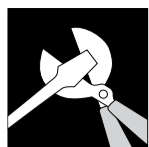
The luminaire may only be lifted/carried by the wire and never by the cable!

Recommended cleaning substances:

Wipe off dust with a dry, soft cloth. Remove greasy spots etc. with a soft cloth dampened in lukewarm water (<122° F/ 50° C) with a mild detergent.

Warning: Scouring powder and similar substances will scratch surfaces.

All installation is subject to local code and jurisdiction. Consult a qualified electrician to ensure correct branch circuit conductor. The installer must ensure that the ceiling can support the luminaire's weight. The installer must if necessary reinforce the ceiling structure by adequate means.-



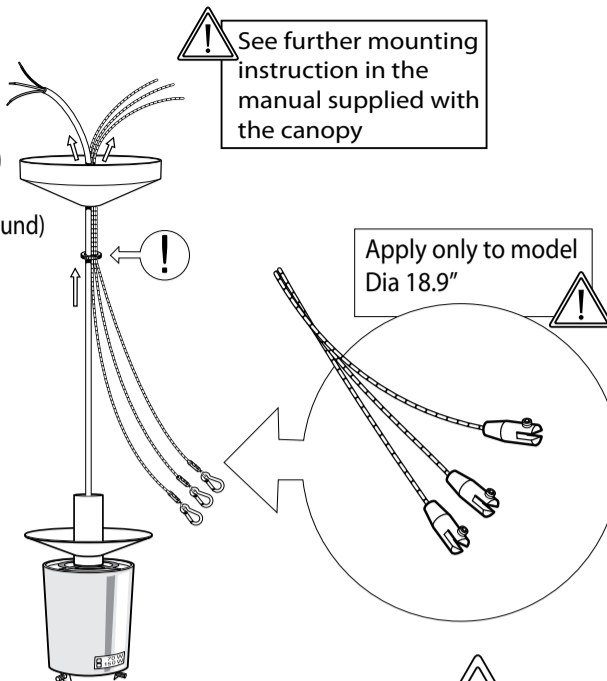
Minimum height

Artichoke Ø33.1"	A = 25.6"
Artichoke Ø28.3"	A = 28.3"
Artichoke Ø23.6"	A = 27.5"
Artichoke Ø18.9"	A = 17.7"

1

x3

- Green to Green (ground)
- White to White
- Black to Black



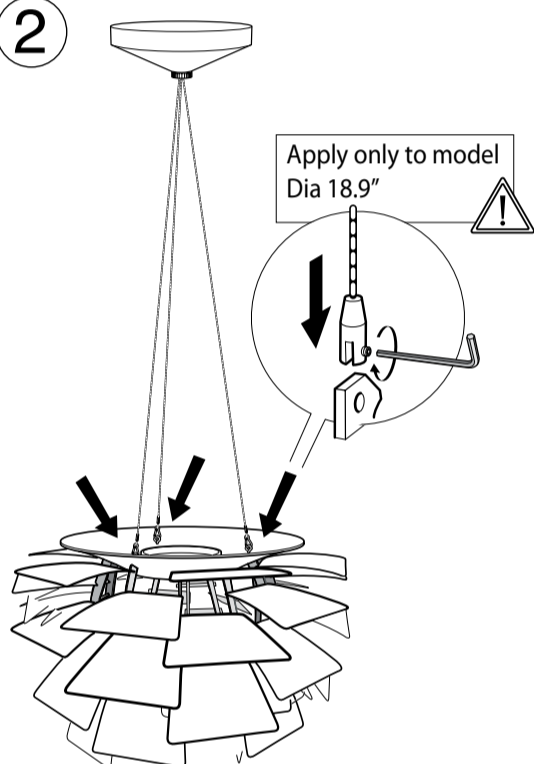
Lamp Replacement Labels

This Luminaire may have different light Source options.

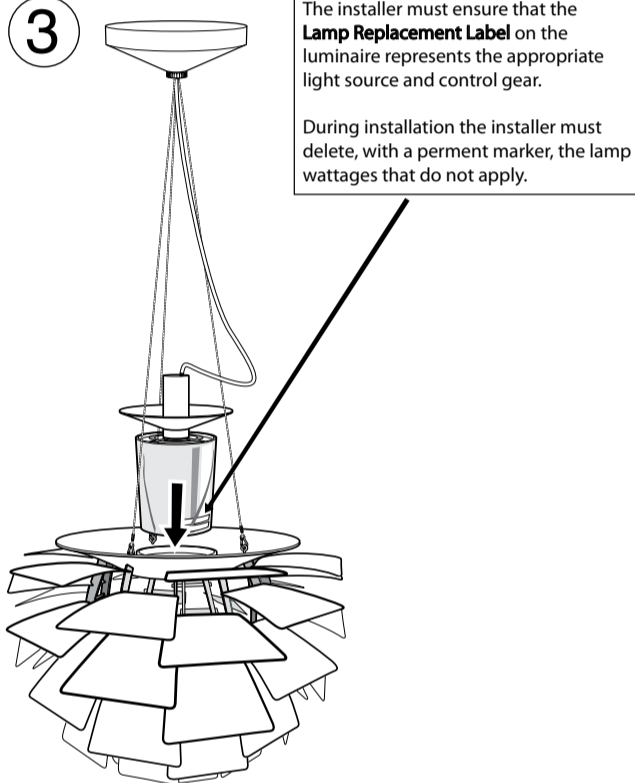
The installer must ensure that the **Lamp Replacement Label** on the luminaire represents the appropriate light source and control gear.

During installation the installer must delete, with a permanent marker, the lamp wattages that do not apply.

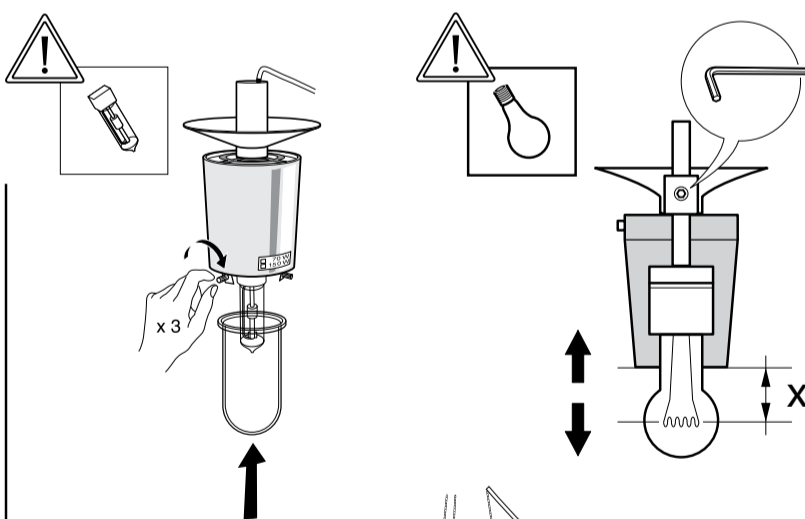
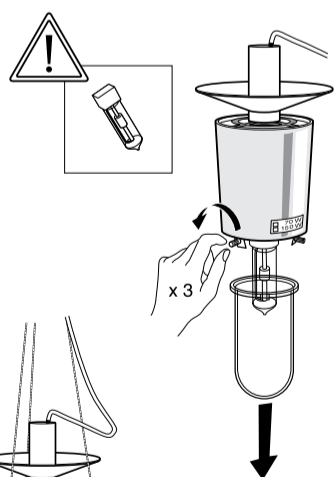
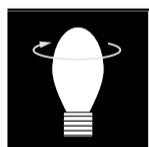
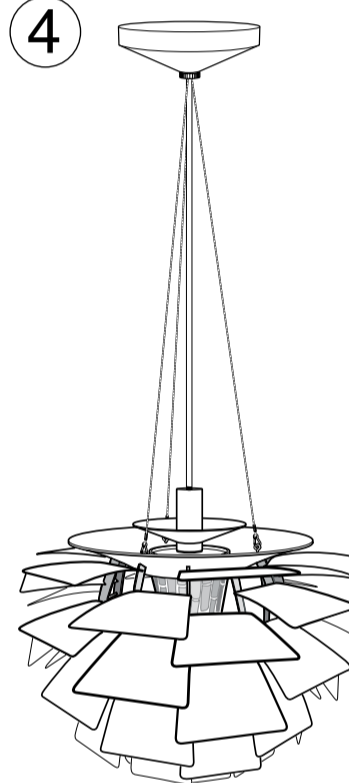
2



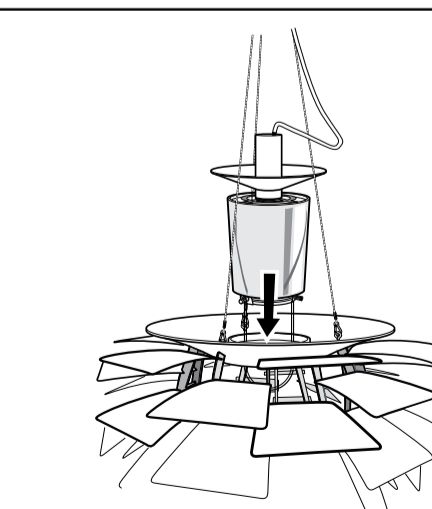
3



4



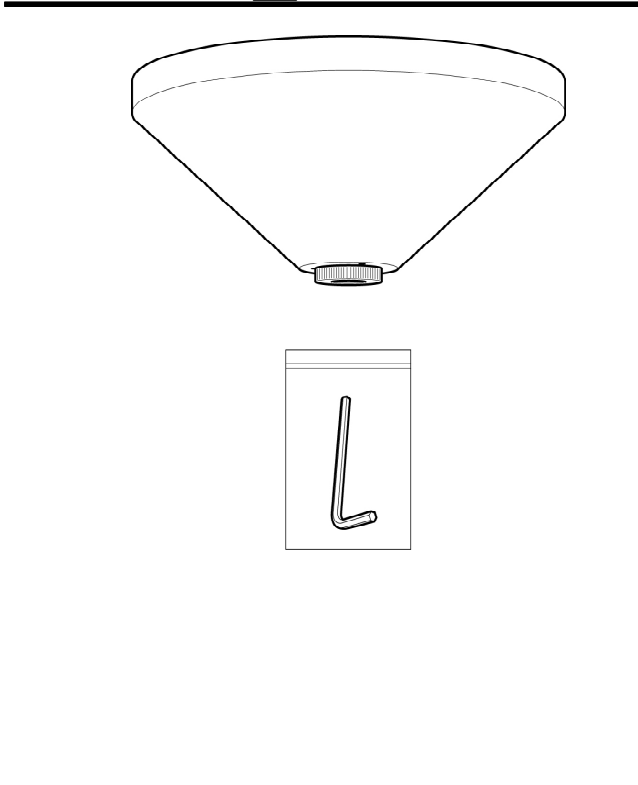
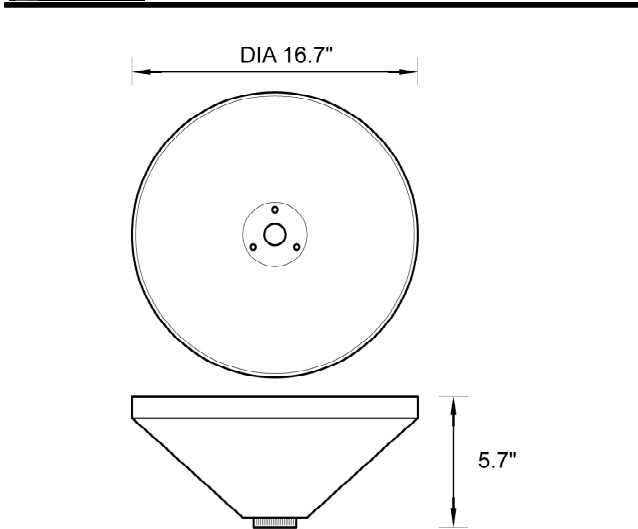
Dia: 23.6"	3.3"
Dia: 28.3"	
Dia: 33.1"	
Dia: 18.9"	1.7"



Canopy

Design:

 <p>1.5 Lbs</p> <p>Damp location</p> <p>Grounded</p>	 <p>Wipe off dust with a dry, soft cloth. Remove greasy spots etc. with a soft cloth with spirit or dampened in lukewarm water with a mild detergent. Never use detergents containing abrasives.</p>	 <p>All installation is subject to local code and jurisdiction. Consult a qualified electrician to ensure correct branch circuit conductor. The installer must ensure that the ceiling can support the luminaire's weight. The installer must if necessary reinforce the ceiling structure by adequate means.</p>
---	---	--



Headoffice
Denmark
Louis Poulsen Lighting
A/S
Tel.: +45 33 31 11 66
Fax: +45 33 29 86 36
www.louis-poulsen.dk

International
Louis Poulsen Lighting
A/S
Tel.: +45 33 31 11 66
Fax: +45 33 29 86 46
www.louis-poulsen.com

France
Louis Poulsen & Cie.
S.A.R.L.
Tel.: +33 1 49 59 68 68
Fax: +33 1 49 59 68 69
www.louis-poulsen.fr

Holland
Louis Poulsen Lighting
B.V.
Tel.: +31 23 56 50 030
Fax: +31 23 56 52 284
www.louis-poulsen.nl

Norway
Louis Poulsen Lighting
AS
Tel.: +47 22 50 20 20
Fax: +47 22 52 47 05
www.louis-poulsen.no

Switzerland
Louis Poulsen AG
Tel.: +41 41 768 5252
Fax: +41 41 768 5253
www.louis-poulsen.ch

USA
Louis Poulsen Lighting,
Inc.
Tel.: +1 954 349 2525
Fax: +1 954 349 2550
www.louis-poulsen.com

Denmark
Louis Poulsen Lighting
A/S
Tel.: +45 33 14 14 14
Fax: +45 33 14 17 10
www.louis-poulsen.dk

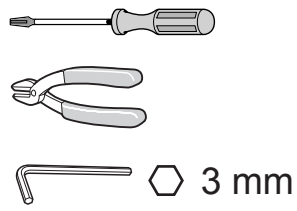
Finland
Louis Poulsen Lighting
Oy
Tel.: +358 9 6226 760
Fax: +358 9 6226 7650
www.louis-poulsen.fi

Germany
Louis Poulsen & Co.
GmbH
Tel.: +49 2103 940 0
Fax: +49 2103 940 290
www.louis-poulsen.de

Japan
Louis Poulsen Japan Co.
Ltd.
Tel.: +81 3 3586 5341
Fax: +81 3 3586 0478
www.louis-poulsen.com

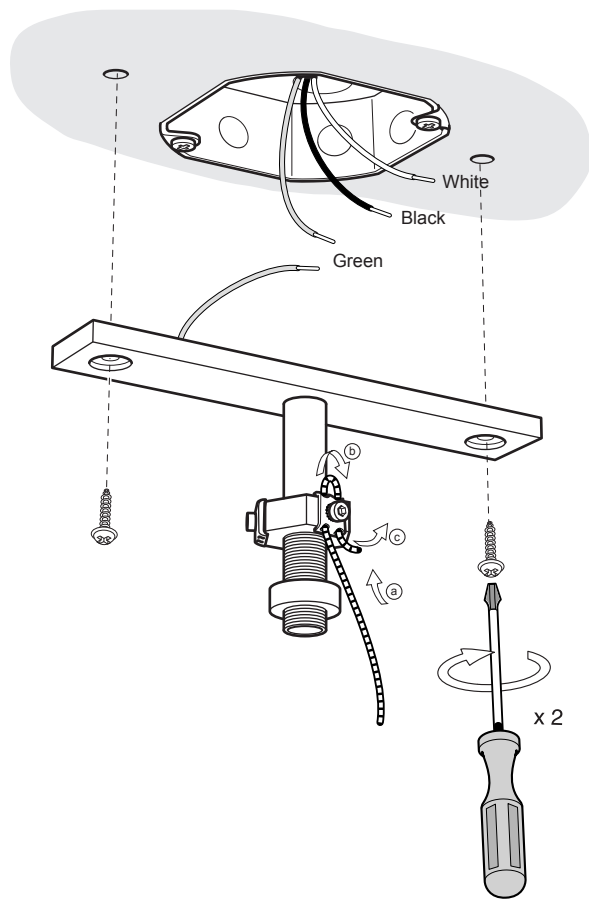
Sweden
Louis Poulsen Lighting
AB
Tel.: +46 8 446 48 00
Fax: +46 8 446 48 28
www.louis-poulsen.se

United Kingdom
Louis Poulsen UK Ltd.
Tel.: +44 208 397 4400
Fax: +44 208 397 4455
www.louis-poulsen.co.uk



1

Mounting of the canopy to the ceiling



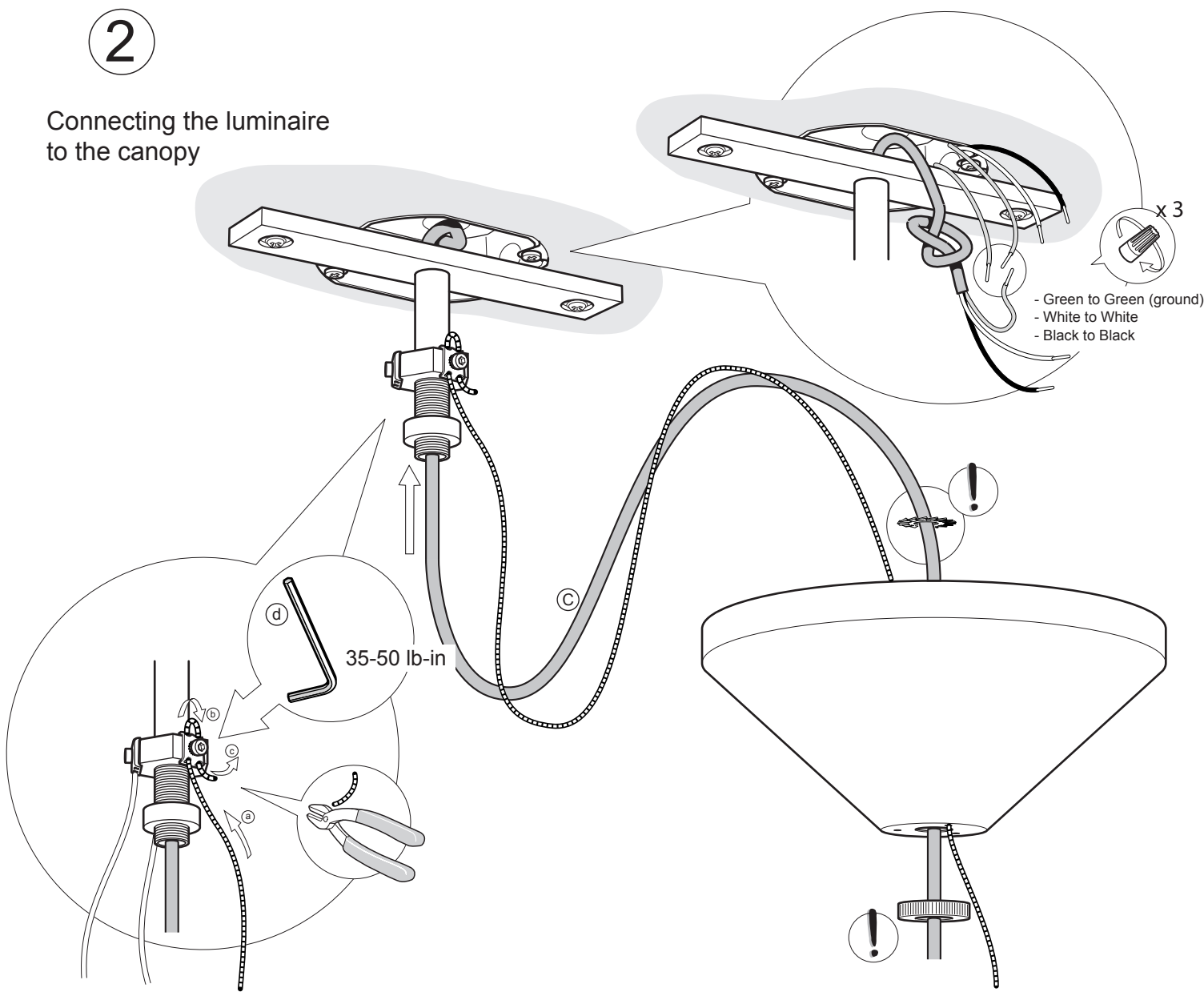
This canopy must be mounted over a standard Junction box and secured to the ceiling by fasteners with adequate strength (not provided)

The installer must ensure that the ceiling being used can support the indicated weight load.

The installer must if necessary reinforce the ceiling structure by adequate means.

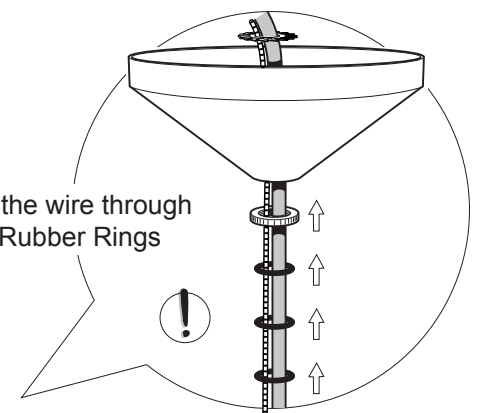
2

Connecting the luminaire to the canopy

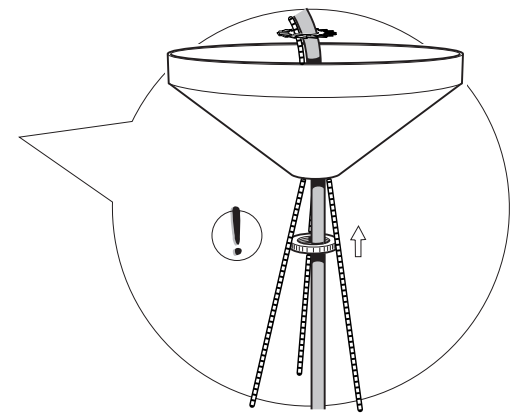


If one steel cable is provided with the luminaire

Put the wire through the Rubber Rings



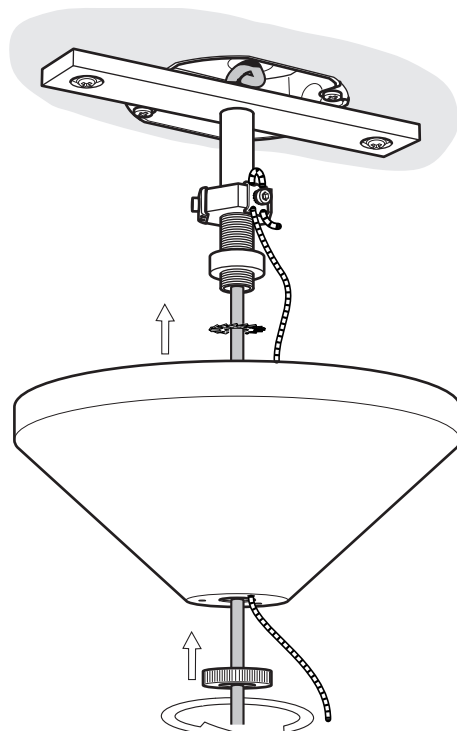
If three steel cables are provided with the luminaire



Adjust the length of the three steel cables so the Luminaire hangs horizontally

3

Assembling the canopy



The installer must ensure that the luminaire is carried by the steel cable(s), not the Luminaire power cable

Adjust the position of the Rubber Rings (if any)