

DUNN

CATALOG / 2024





RESOURCES

- 04 / *Our Story*
- 06 / *Finishes*
- 07 / *Light Bulbs*

CEILING

- 10 / *Sorenthia Light*
- 12 / *Sorenthia 2-Arm*
- 14 / *Sorenthia 3-Arm*
- 16 / *Sorenthia Double*
- 18 / *Sorenthia Triple*
- 20 / *Sorenthia Quad*
- 22 / *Sorenthia Grand*
- 24 / *Thia Light*
- 26 / *Thia Duo*
- 28 / *Thia Trio*
- 30 / *Tetra V*
- 32 / *Tetra XVI*



TABLE

- 36 / *Pillaret 34in Table Lamp*
- 38 / *Pillaret 18in Table Lamp*
- 40 / *Linden Table Lamp*
- 42 / *Linden Table Lamp - Narrow*
- 44 / *Linden Table Lamp - Short*
- 46 / *Beacon 18in Table Lamp*

WALL

- 50 / *Linden 2 Sconce - 23.5in*
- 52 / *Linden 2 Sconce - 15.5in*
- 54 / *Sorenthia Sconce*
- 56 / *Sorenthia 2 Sconce*
- 58 / *Flute Sconce*
- 60 / *Cumberland Sconce*
- 62 / *Pillaret Rise Sconce*
- 64 / *Pillaret Drop Sconce*
- 66 / *Tetra I*
- 68 / *Tetra III*



Founded in 2010 by Asher Rodriguez-Dunn, Studio DUNN is a lighting design studio based in New England that develops and builds distinctive fixtures for residential and commercial applications.

We draw inspiration from our study of Mid-century Modernism and Minimalism. Our fascination with nature lends an element of the organic to our work, either in form, texture, or material.

We utilize traditional craftsmanship alongside contemporary manufacturing techniques to hand assemble each piece in our Rhode Island studio. DUNN's eye-catching designs offer a thoughtful reexamination of the way we experience light.

We look forward to being part of your project.

Our Team | We are a small group of talented individuals who share a passion for beautiful, handmade objects. We rely on the excellence of each member of our company, drawing on our individual strengths and interests form a cohesive team. We look for new ways to delight and solve problems for our clients, valuing their appreciation when we customize our products to fit their specific needs. We thrive on the creative energy of our team members, who challenge and support each other, as well as the accountability we feel to our clients. Through our work, we continuously endeavor to operate in a socially, environmentally, and ethically responsible manner.

Our Network | We seek to build relationships both inside and outside our studio walls. Over the years, we have worked with local artisans, manufacturers, and suppliers, finding solutions as close to our New England home as possible. We strive to responsibly source our materials and production methods, pursuing partnerships with experts in their craft. We believe this approach to design and manufacturing upholds the integrity of our products and supports our local economy. We're tapped into an extensive network of designers, retailers, editors, writers, and photographers, all of whom have supported our work in the past and watched us grow. We wouldn't be where we are today without these partnerships – thank you!

Our Roots | DUNN started over 10 years ago as a design studio, teaching woodshop, and collaborative artist space dedicated to keeping craft alive and vibrant within the community. Our expertise in industrial design coupled with our experience with a diverse range of materials and manufacturing techniques quickly set us apart. We gained a reputation for our high-quality craftsmanship as well as our ability to collaborate with our clients and customize our products. The success of our Sorenthia Light enabled us to sharpen our focus, evolving into a luxury lighting studio known for our contemporary, trendsetting designs. Through it all, we have remained rooted in the tenets of quality, craft, and collaboration. Now we look ahead with the clarity a decade of experience brings, working to illuminate the future.

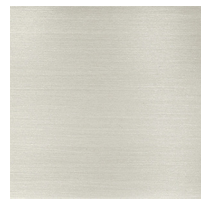
Asher is an award-winning industrial designer who has received numerous international, national, and local honors recognizing both his work and his ongoing contributions to the design field. His work has appeared in *Dwell*, *New England Home*, the *New York Times*, the *Wall Street Journal*, *Luxe*, and *American Craft*, as well as many other publications. Asher was recognized as an Emerging Designer and inducted into the Rhode Island Design Hall of Fame by RI x Design, in no small part owing to his continued dedication to the local arts community in the Ocean State.

Our lighting collections employ a wide range of finishes and techniques. Custom options are available. We emphasize working locally with most of our manufacturers located nearby our studio. Order finish samples and learn more on our [website](#).

PLATED



Brushed Brass



Brushed Nickel



Oil Rubbed Brass

POWDER COATED



Black Poppy

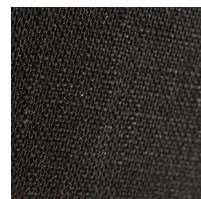


Country Cream

SHADES



Cream Linen



Black Linen



Charcoal Linen

DETAILS

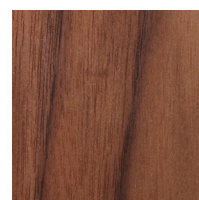


Brass

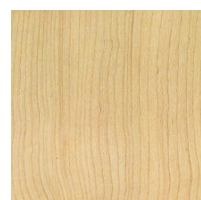


Nickel

HARDWOODS



Walnut

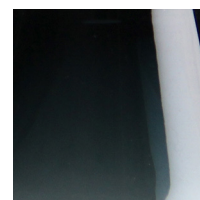


Maple

HAND BLOWN GLASS



Opal White



Smoke Grey

LIGHT BULBS

We retail a small selection of LED bulbs. In 2016, we made the sustainably driven shift to the exclusive use of LED bulbs. Please note that our fixtures use E12 Candelabra sockets or E26 Medium Base sockets (see the specific product tear sheet for details), which are compatible with many bulbs of different styles and shapes.

Some images on our website and print material may display incandescent bulbs. These were photographed before our shift to LED. We no longer carry these bulb styles.

Bulbs are sold separately for most of our products. Order or reorder bulbs and view full details about our available selections on our [website](#).

PORCELAIN II BY TALA - G25 LED



Base Style | E26 Medium
Volts/Hertz | 120V/60Hz
Wattage | 6W
Lumens | 450
Color Temp | 2700K
Average Life Hours | 30,000
Dimmable | With ELV Dimmers

ANTIQUE-STYLE TUBULAR - T10 LED



Base Style | E26 Medium
Volts/Hertz | 120V/60Hz
Wattage | 6W
Lumens | 600
Color Temp | 2700K
Average Life Hours | 25,000
Dimmable | With ELV Dimmers

PORCELAIN III BY TALA - G40 LED



Base Style | E26 Medium
Volts/Hertz | 120V/60Hz
Wattage | 6W
Lumens | 540
Color Temp | 2700K
Average Life Hours | 30,000
Dimmable | With ELV Dimmers

ANTIQUE-STYLE CANDELABRA - T6 LED



Base Style | E12 Candelabra
Volts/Hertz | 120V/60Hz
Wattage | 2.5W
Lumens | 180
Color Temp | 2200K
Average Life Hours | 15,000
Dimmable | With ELV Dimmers

CLEAR GLOBE BY TALA - A19 LED



Base Style | E26 Medium
Volts/Hertz | 120V/60Hz
Wattage | 6W
Lumens | 480
Color Temp | 2500K
Average Life Hours | 30,000
Dimmable | With ELV Dimmers

G16.5 ANTIQUE-STYLE - LED



Base Style | E26 Medium
Volts/Hertz | 120V/60Hz
Wattage | 6W
Lumens | 600
Color Temp | 2700K
Average Life Hours | 25,000
Dimmable | With ELV Dimmers



CEILING

Inspired by the bulb and blade structure of sea kelp, our Sorenthia and Thia pendants and chandeliers feature a dynamic interplay of angles, striking negative spaces, and elegant custom-made parts. The long arms of the linear fixtures are adjustable, allowing for a wide range of angles and orientations. The contemporary pieces are offered in many standard options, or our design team can create a custom fixture for your space.



*Left: Thia Trio in Black Poppy with Brass Details and Tala Porcelain III Bulbs
Above: Sorenthia parts in Brushed Nickel*



Finish samples sold online.

(401)-400-0206
info@studiodunn.com
www.studiodunn.com

Each piece is built to order.

310 Bourne Ave
Building #1
Rumford, RI 02916

Designed by Studio DUNN, 2013

For quotes & custom inquiries
please contact Studio DUNN:
info@studiodunn.com

DESCRIPTION


A modern, linear light fixture with bold, elegant lines and dramatic negative space.

DETAILS

Lead Time | 8-10 Weeks
Materials | Steel and brass
Weight | 4 lbs
Canopy | 5" Diameter x 1" Height
Lamping | 120V/60Hz, E26 sockets, 60W max
Made In | USA



FINISH OPTIONS

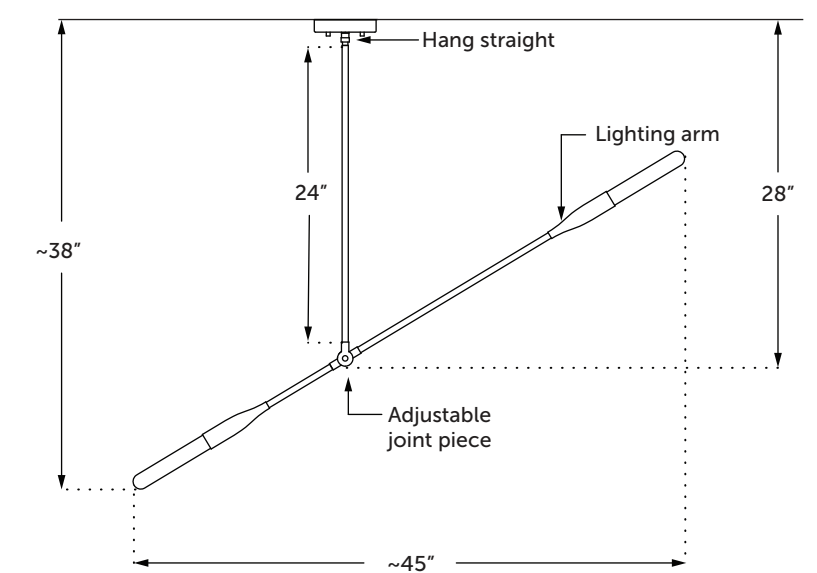
-  **SOR-B**
Brushed Brass
Brass Details
-  **SOR-N**
Brushed Nickel
Nickel Details
-  **SOR-OR-B**
Oil Rubbed Brass
Brass Details
-  **SOR-BP-B**
Black Poppy
Brass Details
-  **SOR-BP-N**
Black Poppy
Nickel Details

Metal details include canopy screw caps, hang straight, and joint piece screw.

Finish samples sold online.

(401)-400-0206
info@studiodunn.com
www.studiodunn.com

FRONT VIEW




DIMENSIONS

Angle of lighting arm can be rotated at joint, allowing a range of dimensions:
Overall Height | 30"-56"
Width | 5"-52"
Depth | 5"-52"

BULBS

Sold separately. Please visit our website for details. Many styles of bulbs work with our fixtures. Refer to the lamping specifications to determine compatibility.

CUSTOMIZATION

 This product is available in custom powder coat colors and plated finishes. Please note that fees will apply. For more information, please refer to our Custom Powder Coating guide or contact us.

This product can be customized in length and configuration.

Each piece is built to order.

310 Bourne Ave
Building #1
Rumford, RI 02916

Designed by Studio DUNN, 2013

For quotes & custom inquiries
please contact Studio DUNN:
info@studiodunn.com



Finish samples sold online.

(401)-400-0206
info@studiodunn.com
www.studiodunn.com

Each piece is built to order.

310 Bourne Ave
Building #1
Rumford, RI 02916

Designed by Studio DUNN, 2013

For quotes & custom inquiries
please contact Studio DUNN:
info@studiodunn.com

DESCRIPTION

A contemporary, linear pendant with striking lines and dynamic angles.

DETAILS

Lead Time | 8-10 Weeks
Materials | Steel and brass
Weight | 8 lbs
Canopy | 5" Diameter x 1" Height
Lamping | 120V/60Hz, E26 sockets, 60W max
Made In | USA



FINISH OPTIONS

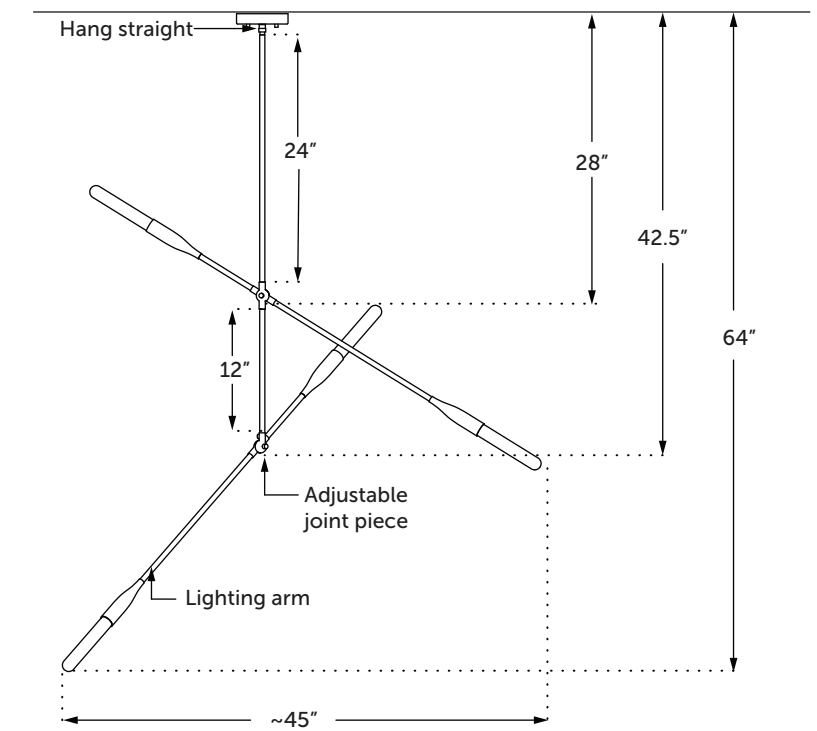
-  **SOR-2A-B**
Brushed Brass
Brass Details
-  **SOR-2A-N**
Brushed Nickel
Nickel Details
-  **SOR-2A-OR-B**
Oil Rubbed Brass
Brass Details
-  **SOR-2A-BP-B**
Black Poppy
Brass Details
-  **SOR-2A-BP-N**
Black Poppy
Nickel Details

Metal details include canopy screw caps, hang straight, and joint piece screws.

Finish samples sold online.

(401)-400-0206
info@studiodunn.com
www.studiodunn.com

FRONT VIEW




DIMENSIONS

Angles of lighting arms can be rotated at joints, allowing a range of dimensions:
Overall Height | 44.5"–70.5"
Width | 5"–64"
Depth | 5"–64"

BULBS

Sold separately. Please visit our website for details. Many styles of bulbs work with our fixtures. Refer to the lamping specifications to determine compatibility.

CUSTOMIZATION

 This product is available in custom powder coat colors and plated finishes. Please note that fees will apply. For more information, please refer to our Custom Powder Coating guide or contact us.

This product can be customized in length and configuration.

Each piece is built to order.

310 Bourne Ave
Building #1
Rumford, RI 02916

Designed by Studio DUNN, 2016

For quotes & custom inquiries
please contact Studio DUNN:
info@studiodunn.com



Finish samples sold online.

(401)-400-0206
info@studiodunn.com
www.studiodunn.com

Each piece is built to order.

310 Bourne Ave
Building #1
Rumford, RI 02916

Designed by Studio DUNN, 2013

For quotes & custom inquiries
please contact Studio DUNN:
info@studiodunn.com

DESCRIPTION

Airy and angular, the structural lines of this mid-century modern pendant are dramatic.

DETAILS

Lead Time | 8-10 Weeks
Materials | Steel and brass
Weight | 12 lbs
Canopy | 5" Diameter x 1" Height
Lamping | 120V/60Hz, E26 sockets, 60W max
Made In | USA



FINISH OPTIONS

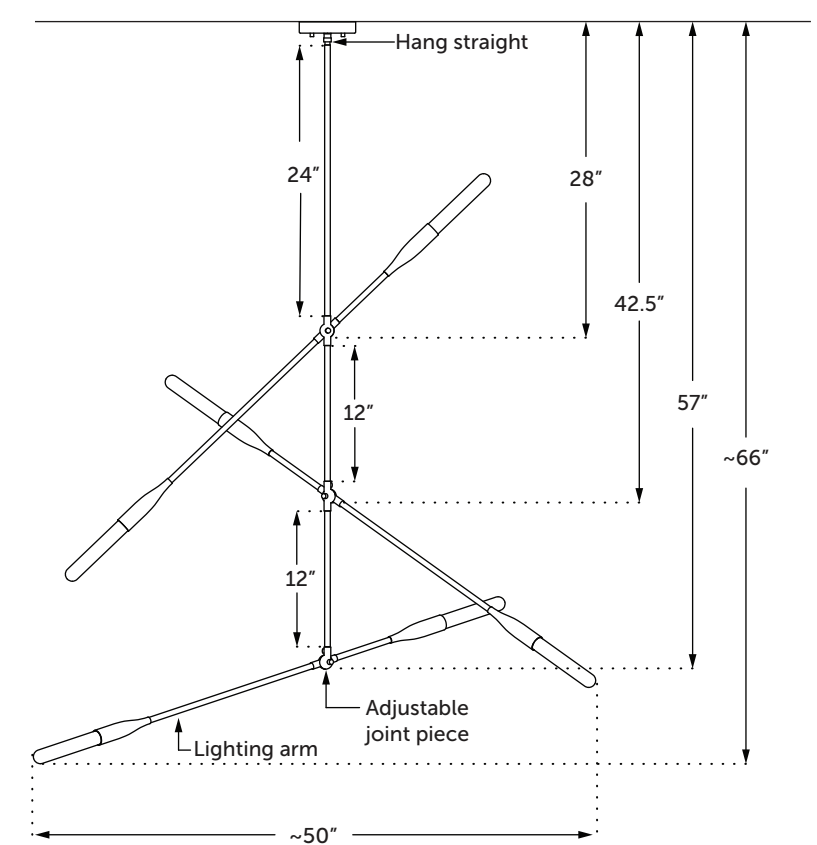
-  **SOR-3A-B**
Brushed Brass
Brass Details
-  **SOR-3A-N**
Brushed Nickel
Nickel Details
-  **SOR-3A-OR-B**
Oil Rubbed Brass
Brass Details
-  **SOR-3A-BP-B**
Black Poppy
Brass Details
-  **SOR-3A-BP-N**
Black Poppy
Nickel Details

Metal details include canopy screw caps, hang straight, and joint piece screws.

Finish samples sold online.

(401)-400-0206
info@studiodunn.com
www.studiodunn.com

FRONT VIEW




DIMENSIONS

Angles of lighting arms can be rotated at joints, allowing a range of dimensions:
Overall Height | 59"-85"
Width | 5"-64"
Depth | 5"-64"

BULBS

Sold separately. Please visit our website for details. Many styles of bulbs work with our fixtures. Refer to the lamping specifications to determine compatibility.

CUSTOMIZATION

 This product is available in custom powder coat colors and plated finishes. Please note that fees will apply. For more information, please refer to our Custom Powder Coating guide or contact us.

This product can be customized in length and configuration.

Each piece is built to order.

310 Bourne Ave
Building #1
Rumford, RI 02916

Designed by Studio DUNN, 2016

For quotes & custom inquiries
please contact Studio DUNN:
info@studiodunn.com



Finish samples sold online.

(401)-400-0206
info@studiodunn.com
www.studiodunn.com

Each piece is built to order.

310 Bourne Ave
Building #1
Rumford, RI 02916

Designed by Studio DUNN, 2013

For quotes & custom inquiries
please contact Studio DUNN:
info@studiodunn.com

DESCRIPTION

Two Sorenthia Lights create dramatic angles on a handcrafted rectangular canopy.

DETAILS

Lead Time | 8-10 Weeks
Materials | Steel and brass
Weight | 18 lbs
Canopy | 32" Length x 5.25" Width x 2" Height
Lamping | 120V/60Hz, E26 sockets, 60W max
Made In | USA



FINISH OPTIONS

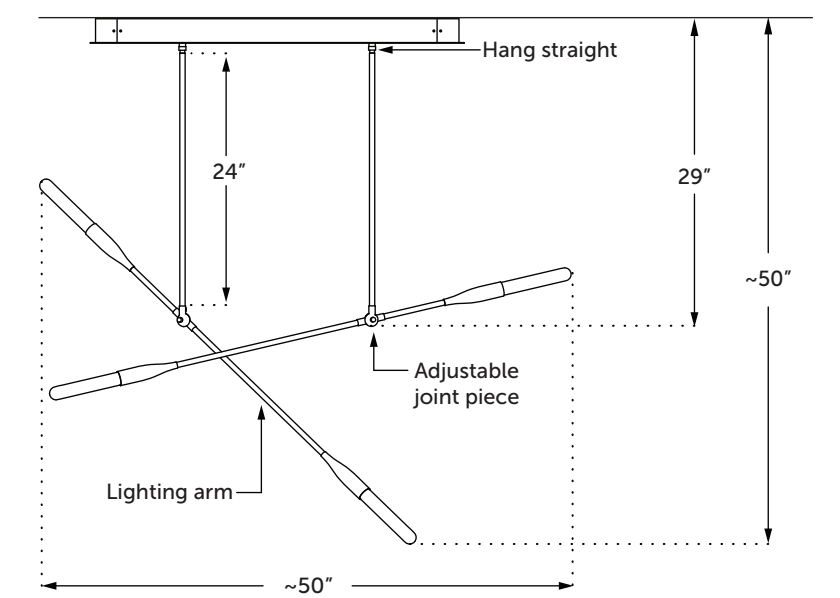
-  **SOR-DOU-B**
Brushed Brass
Brass Details
-  **SOR-DOU-N**
Brushed Nickel
Nickel Details
-  **SOR-DOU-OR-B**
Oil Rubbed Brass
Brass Details
-  **SOR-DOU-BP-B**
Black Poppy
Brass Details
-  **SOR-DOU-BP-N**
Black Poppy
Nickel Details

Metal details include canopy screw caps, hang straights, and joint piece screws.

Finish samples sold online.

(401)-400-0206
info@studiodunn.com
www.studiodunn.com

FRONT VIEW




DIMENSIONS

Angles of lighting arms can be rotated at joints, allowing a range of dimensions:
Overall Height | 31"-57"
Width | 32" - 78"
Depth | 8" - 62"

BULBS

Sold separately. Please visit our website for details. Many styles of bulbs work with our fixtures. Refer to the lamping specifications to determine compatibility.

CUSTOMIZATION

 This product is available in custom powder coat colors and plated finishes. Please note that fees will apply. For more information, please refer to our Custom Powder Coating guide or contact us.

This product can be customized in length and configuration.

Each piece is built to order.

310 Bourne Ave
Building #1
Rumford, RI 02916

Designed by Studio DUNN, 2013

For quotes & custom inquiries
please contact Studio DUNN:
info@studiodunn.com



DESCRIPTION

Three Sorenthia Lights on a custom canopy create a modern, statement chandelier.

DETAILS

Lead Time | 8-10 Weeks
 Materials | Steel and brass
 Weight | 20 lbs
 Canopy | 32" Length x 5.25" Width x 2" Height
 Lamping | 120V/60Hz, E26 sockets, 60W max
 Made In | USA

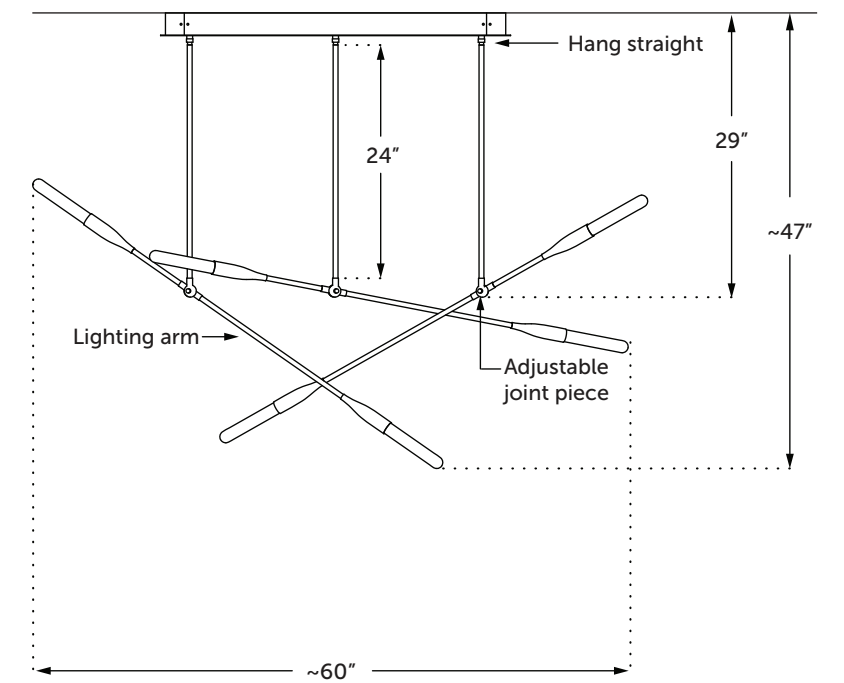


FINISH OPTIONS

-  **SOR-TRI-B**
Brushed Brass
Brass Details
-  **SOR-TRI-N**
Brushed Nickel
Nickel Details
-  **SOR-TRI-OR-B**
Oil Rubbed Brass
Brass Details
-  **SOR-TRI-BP-B**
Black Poppy
Brass Details
-  **SOR-TRI-BP-N**
Black Poppy
Nickel Details

Metal details include canopy screw caps, hang straights, and joint piece screws.

FRONT VIEW




DIMENSIONS

Angles of lighting arms can be rotated at joints, allowing a range of dimensions:
Overall Height | 31"-57"
Width | 32" - 88"
Depth | 14" - 62"

BULBS

Sold separately. Please visit our website for details. Many styles of bulbs work with our fixtures. Refer to the lamping specifications to determine compatibility.

CUSTOMIZATION

 This product is available in custom powder coat colors and plated finishes. Please note that fees will apply. For more information, please refer to our Custom Powder Coating guide or contact us.

This product can be customized in length and configuration.

Finish samples sold online.

(401)-400-0206
 info@studiodunn.com
 www.studiodunn.com

Each piece is built to order.

310 Bourne Ave
 Building #1
 Rumford, RI 02916

Designed by Studio DUNN, 2013

For quotes & custom inquiries
 please contact Studio DUNN:
 info@studiodunn.com

Finish samples sold online.

(401)-400-0206
 info@studiodunn.com
 www.studiodunn.com

Each piece is built to order.

310 Bourne Ave
 Building #1
 Rumford, RI 02916

Designed by Studio DUNN, 2013

For quotes & custom inquiries
 please contact Studio DUNN:
 info@studiodunn.com



Finish samples sold online.

(401)-400-0206
info@studiodunn.com
www.studiodunn.com

Each piece is built to order.

310 Bourne Ave
Building #1
Rumford, RI 02916

Designed by Studio DUNN, 2013

For quotes & custom inquiries
please contact Studio DUNN:
info@studiodunn.com

DESCRIPTION

Four Sorenthia Lights on a sleek, handmade canopy create a stunning, modern fixture.

DETAILS

Lead Time | 8-10 Weeks
Materials | Steel and brass
Weight | 28 lbs
Canopy | 44" Length x 5.25" Width x 2" Height
Lamping | 120V/60Hz, E26 sockets, 60W max
Made In | USA



FINISH OPTIONS

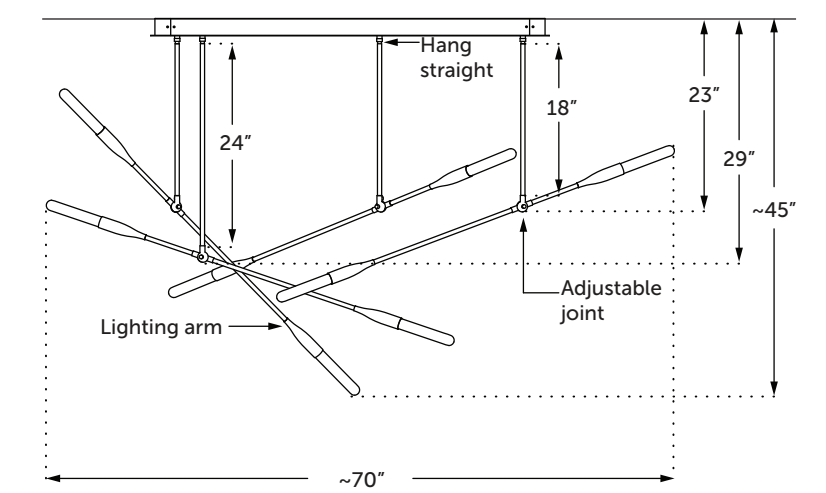
-  **SOR-QUA-B**
Brushed Brass
Brass Details
-  **SOR-QUA-N**
Brushed Nickel
Nickel Details
-  **SOR-QUA-OR-B**
Oil Rubbed Brass
Brass Details
-  **SOR-QUA-BP-B**
Black Poppy
Brass Details
-  **SOR-QUA-BP-N**
Black Poppy
Nickel Details

Metal details include canopy screw caps, hang straights, and joint piece screws.

Finish samples sold online.

(401)-400-0206
info@studiodunn.com
www.studiodunn.com

FRONT VIEW




DIMENSIONS

Angles of lighting arms can be rotated at joints, allowing a range of dimensions:
Overall Height | 31" - 57"
Width | 44" - 100"
Depth | 18" - 62"

BULBS

Sold separately. Please visit our website for details. Many styles of bulbs work with our fixtures. Refer to the lamping specifications to determine compatibility.

CUSTOMIZATION

 This product is available in custom powder coat colors and plated finishes. Please note that fees will apply. For more information, please refer to our Custom Powder Coating guide or contact us.

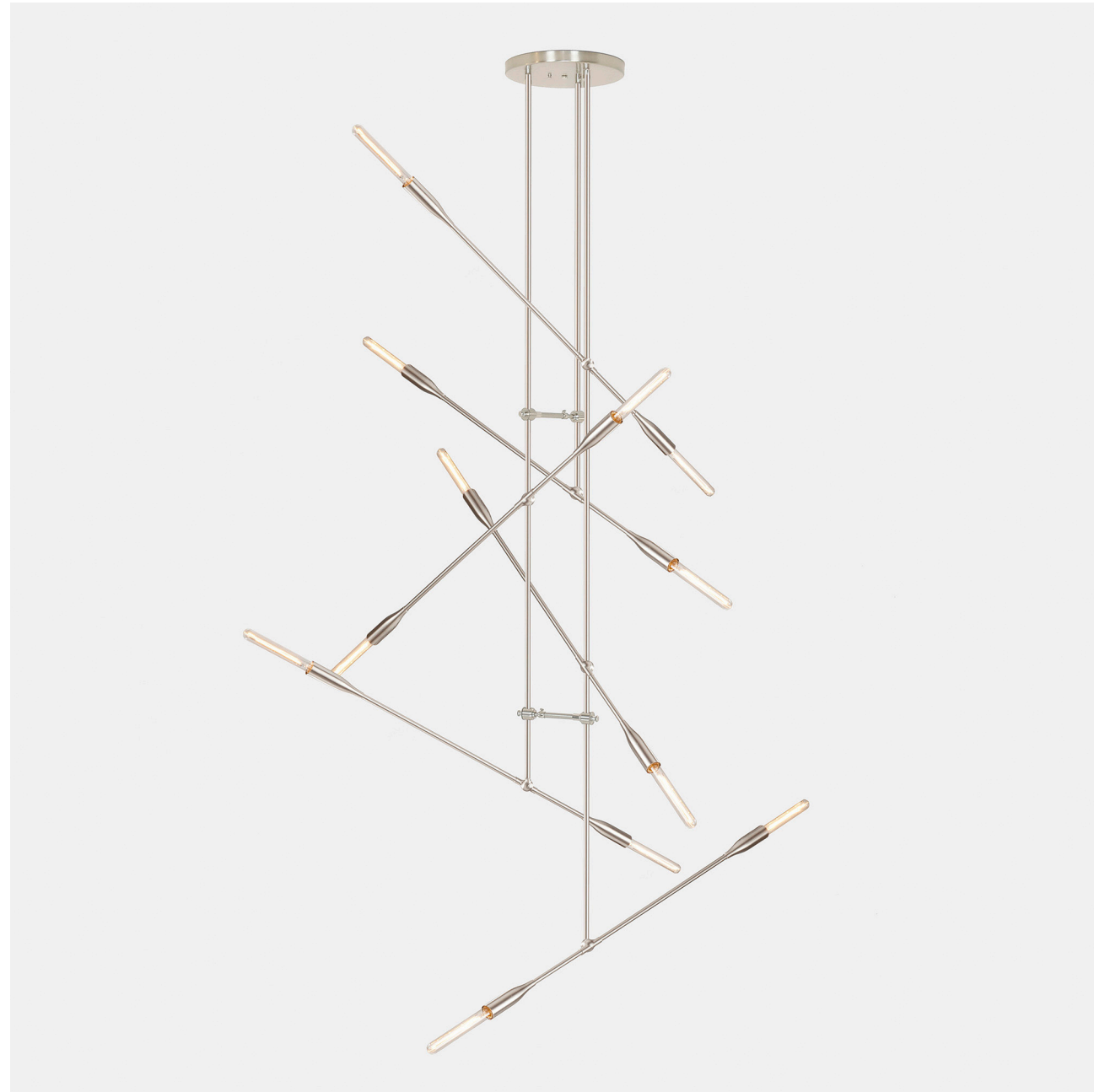
This product can be customized in length and configuration.

Each piece is built to order.

310 Bourne Ave
Building #1
Rumford, RI 02916

Designed by Studio DUNN, 2013

For quotes & custom inquiries
please contact Studio DUNN:
info@studiodunn.com



Finish samples sold online.

(401)-400-0206
info@studiodunn.com
www.studiodunn.com

Each piece is built to order.

310 Bourne Ave
Building #1
Rumford, RI 02916

Designed by Studio DUNN, 2013

For quotes & custom inquiries
please contact Studio DUNN:
info@studiodunn.com

DESCRIPTION

This large-scale modern chandelier makes a statement with bold lines and angles.

DETAILS

Lead Time | 8-10 Weeks
Materials | Steel and brass
Weight | 28 lbs
Canopy | 10" Diameter x 1" Height
Lamping | 120V/60Hz, E26 sockets, 60W max
Made In | USA



FINISH OPTIONS

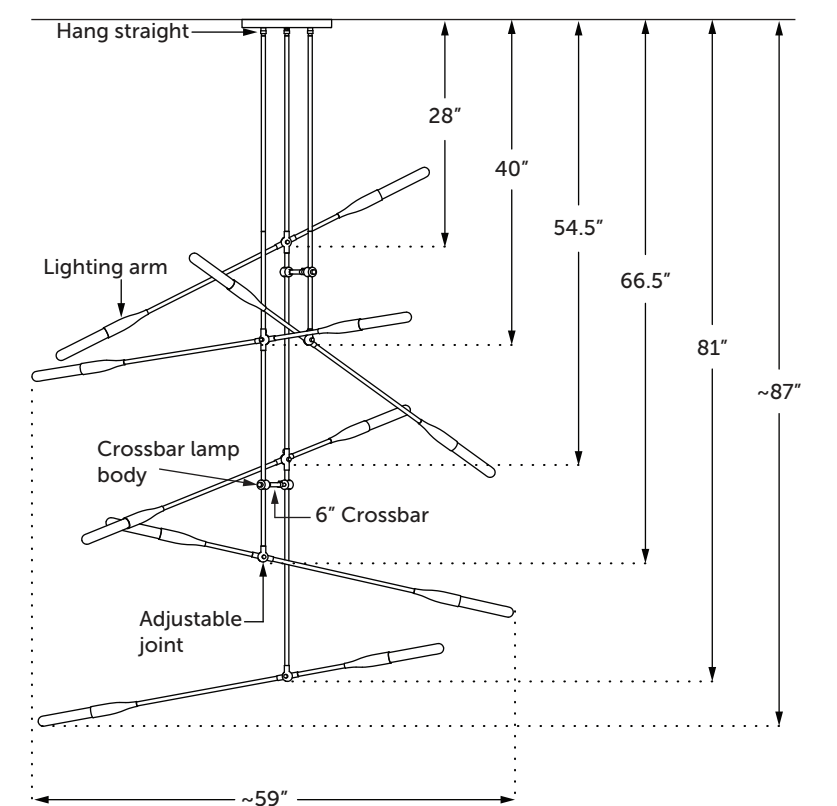
-  **SOR-GRA-B**
Brushed Brass
Brass Details
-  **SOR-GRA-N**
Brushed Nickel
Nickel Details
-  **SOR-GRA-OR**
Oil Rubbed Brass
Brass Details
-  **SOR-GRA-BP-B**
Black Poppy
Brass Details
-  **SOR-GRA-BP-N**
Black Poppy
Nickel Details

Metal details include canopy screw caps, hang straights, joint piece screws, crossbars.

Finish samples sold online.

(401)-400-0206
info@studiodunn.com
www.studiodunn.com

FRONT VIEW




DIMENSIONS

Angles of lighting arms can be rotated at joints, allowing a range of dimensions:
Overall Height | 83"-103"
Width | 10"-65"
Depth | 18"-70"

BULBS

Sold separately. Please visit our website for details. Many styles of bulbs work with our fixtures. Refer to the lamping specifications to determine compatibility.

CUSTOMIZATION

 This product is available in custom powder coat colors and plated finishes. Please note that fees will apply. For more information, please refer to our Custom Powder Coating guide or contact us.

This product can be customized in length and configuration.

Each piece is built to order.

310 Bourne Ave
Building #1
Rumford, RI 02916

Designed by Studio DUNN, 2015

For quotes & custom inquiries
please contact Studio DUNN:
info@studiodunn.com



Finish samples sold online.

(401)-400-0206
info@studiodunn.com
www.studiodunn.com

Each piece is built to order.

310 Bourne Ave
Building #1
Rumford, RI 02916

Designed by Studio DUNN, 2019

For quotes & custom inquiries
please contact Studio DUNN:
info@studiodunn.com

DESCRIPTION

A mini version of the Sorenthia, the articulating fixture works perfectly in small spaces.

DETAILS

Lead Time | 8-10 Weeks
Materials | Steel and brass
Weight | 3 lbs
Canopy | 5" Diameter x 1" Height
Lamping | 120V/60Hz, E26 sockets, 60W max
Made In | USA



FINISH OPTIONS

- 

THI-B
Brushed Brass
Brass Details
- 

THI-N
Brushed Nickel
Nickel Details
- 

THI-OR-B
Oil Rubbed Brass
Brass Details
- 

THI-BP-B
Black Poppy
Brass Details
- 

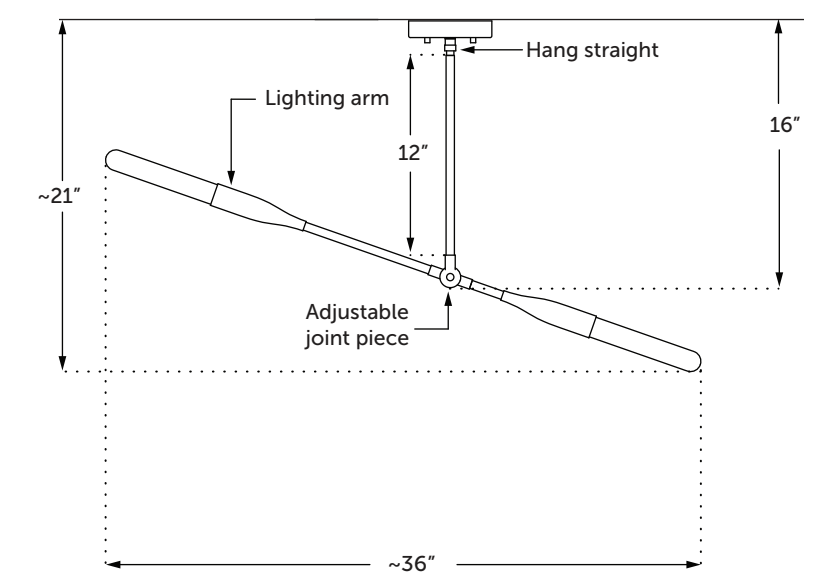
THI-BP-N
Black Poppy
Nickel Details

Metal details include canopy screw caps, hang straight, and joint piece screw.

Finish samples sold online.

(401)-400-0206
info@studiodunn.com
www.studiodunn.com

FRONT VIEW




DIMENSIONS

Angle of lighting arm can be rotated at joint, allowing a range of dimensions:
Overall Height | 17"-35"
Width | 5"-38"
Depth | 5"-38"

BULBS

Sold separately. Please visit our website for details. Many styles of bulbs work with our fixtures. Refer to the lamping specifications to determine compatibility.

CUSTOMIZATION

 This product is available in custom powder coat colors and plated finishes. Please note that fees will apply. For more information, please refer to our Custom Powder Coating guide or contact us.

This product can be customized in length and configuration.

Each piece is built to order.

310 Bourne Ave
Building #1
Rumford, RI 02916

Designed by Studio DUNN, 2019

For quotes & custom inquiries
please contact Studio DUNN:
info@studiodunn.com



Finish samples sold online.

(401)-400-0206
info@studiodunn.com
www.studiodunn.com

Each piece is built to order.

310 Bourne Ave
Building #1
Rumford, RI 02916

Designed by Studio DUNN, 2019

For quotes & custom inquiries
please contact Studio DUNN:
info@studiodunn.com

DESCRIPTION

A mini version of the Sorenthia, the bold angles make a statement in small spaces.

DETAILS

Lead Time | 8-10 Weeks
Materials | Steel and brass
Weight | 6 lbs
Canopy | 8" Diameter x 1" Height
Lamping | 120V/60Hz, E26 sockets, 60W max
Made In | USA



FINISH OPTIONS

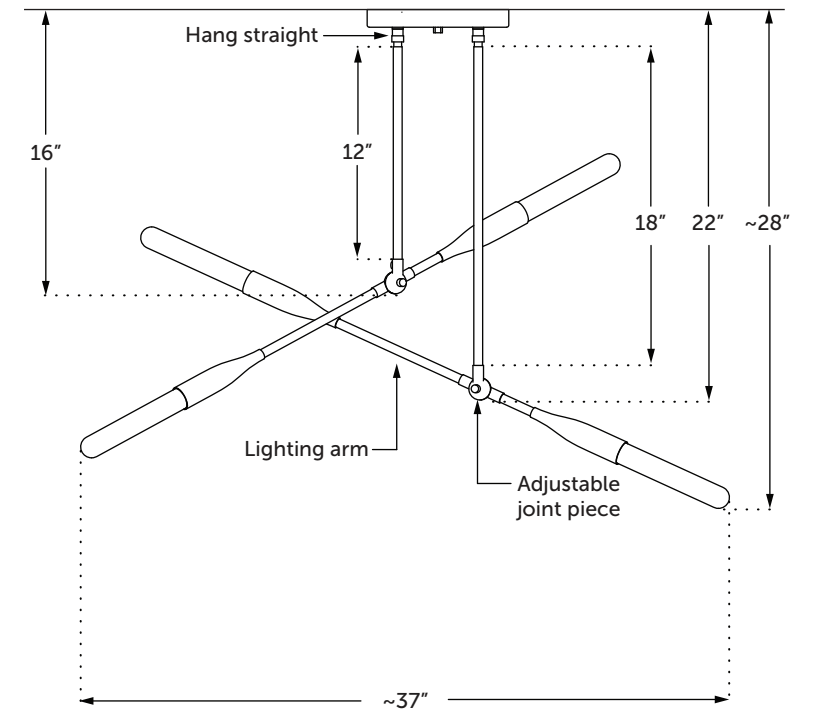
-  **THI-DUO-B**
Brushed Brass
Brass Details
-  **THI-DUO-N**
Brushed Nickel
Nickel Details
-  **THI-DUO-OR-B**
Oil Rubbed Brass
Brass Details
-  **THI-DUO-BP-B**
Black Poppy
Brass Details
-  **THI-DUO-BP-N**
Black Poppy
Nickel Details

Metal details include canopy screw caps, hang straights, and joint piece screws.

Finish samples sold online.

(401)-400-0206
info@studiodunn.com
www.studiodunn.com

FRONT VIEW




DIMENSIONS

Angles of lighting arms can be rotated at joints, allowing a range of dimensions:
Overall Height | 23"-41"
Width | 8"-48"
Depth | 8"-48"

BULBS

Sold separately. Please visit our website for details. Many styles of bulbs work with our fixtures. Refer to the lamping specifications to determine compatibility.

CUSTOMIZATION

 This product is available in custom powder coat colors and plated finishes. Please note that fees will apply. For more information, please refer to our Custom Powder Coating guide or contact us.

This product can be customized in length and configuration.

Each piece is built to order.

310 Bourne Ave
Building #1
Rumford, RI 02916

Designed by Studio DUNN, 2019

For quotes & custom inquiries
please contact Studio DUNN:
info@studiodunn.com



Finish samples sold online.

(401)-400-0206
info@studiodunn.com
www.studiodunn.com

Each piece is built to order.

310 Bourne Ave
Building #1
Rumford, RI 02916

Designed by Studio DUNN, 2019

For quotes & custom inquiries
please contact Studio DUNN:
info@studiodunn.com

DESCRIPTION

A smaller version of the Sorenthia, this modern chandelier makes a bold statement.

DETAILS

Lead Time | 8-10 Weeks
Materials | Steel and brass
Weight | 8 lbs
Canopy | 8" Diameter x 1" Height
Lamping | 120V/60Hz, E26 sockets, 60W max
Made In | USA



FINISH OPTIONS

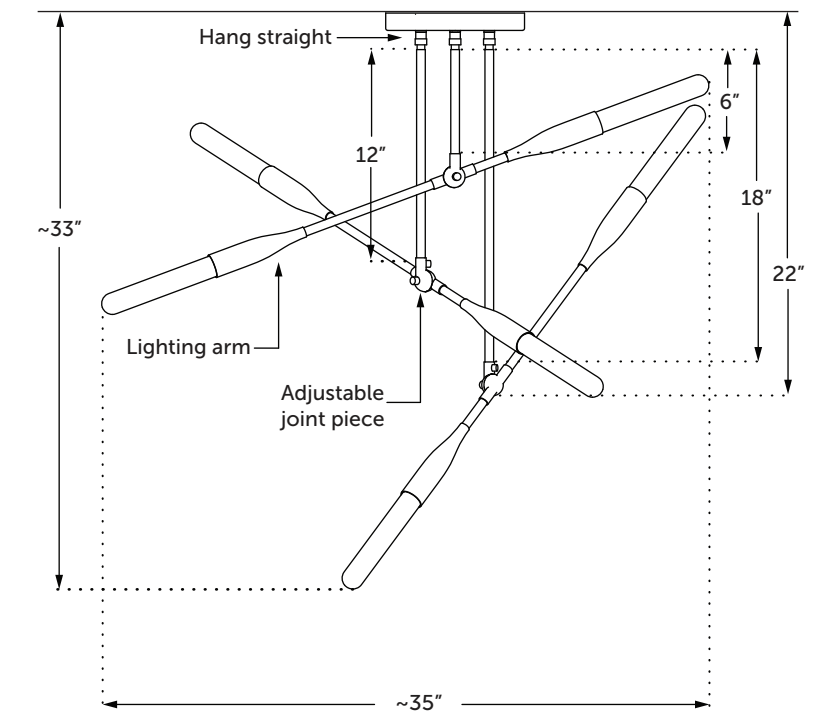
-  **THI-TRI-B**
Brushed Brass
Brass Details
-  **THI-TRI-N**
Brushed Nickel
Nickel Details
-  **THI-TRI-OR-B**
Oil Rubbed Brass
Brass Details
-  **THI-TRI-BP-B**
Black Poppy
Brass Details
-  **THI-TRI-BP-N**
Black Poppy
Nickel Details

Metal details include canopy screw caps, hang straights, and joint piece screws.

Finish samples sold online.

(401)-400-0206
info@studiodunn.com
www.studiodunn.com

FRONT VIEW




DIMENSIONS

Angles of lighting arms can be rotated at joints, allowing a range of dimensions:
Overall Height | 23"-41"
Width | 8"-48"
Depth | 8"-48"

BULBS

Sold separately. Please visit our website for details. Many styles of bulbs work with our fixtures. Refer to the lamping specifications to determine compatibility.

CUSTOMIZATION

 This product is available in custom powder coat colors and plated finishes. Please note that fees will apply. For more information, please refer to our Custom Powder Coating guide or contact us.

This product can be customized in length and configuration.

Each piece is built to order.

310 Bourne Ave
Building #1
Rumford, RI 02916

Designed by Studio DUNN, 2019

For quotes & custom inquiries
please contact Studio DUNN:
info@studiodunn.com



Finish samples sold online.

(401)-400-0206
info@studiodunn.com
www.studiodunn.com

Each piece is built to order.

310 Bourne Ave
Building #1
Rumford, RI 02916

Designed by Studio DUNN, 2024

For quotes & custom inquiries
please contact Studio DUNN:
info@studiodunn.com

DESCRIPTION

Inspired by 90s puzzle video games, the Tetra V combines playfulness with contemporary elegance as a flush mount lighting fixture with striking geometry. Drawing from its Greek origins, "tetra" meaning four, refers to the fixture's square geometry. Comprising five cube-shaped housings sandwiched between plates consisting of intersecting squares, it offers a visually intriguing composition of positive and negative space. Exposed bulbs peek out from the surface creating a captivating array of light.

DETAILS

Lead Time | 10–12 Weeks
Materials | Mixed metals
Weight | 12.5 lbs
Dimensions | 14.25" Height x 14.25" Width x 10" Depth (without bulb)
Lamping | 120V/60Hz, E26 Socket, 60W max
Made In | USA



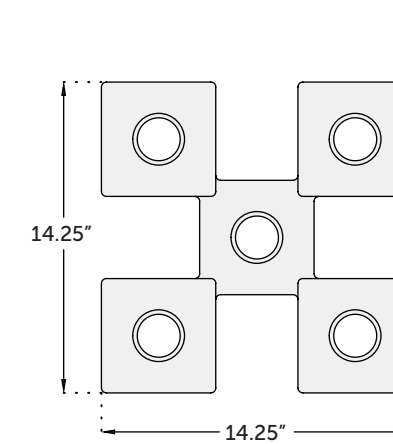
FINISH AND SIZE OPTIONS

-  **TET-5-B**
Brass Housing
Black Poppy Plates
-  **TET-5-N**
Nickel Housing
Black Poppy Plates
-  **TET-5-CC**
Country Cream Housing
Black Poppy Plates
-  **TET-5-BP**
Black Poppy Housing
Black Poppy Plates
-  **TET-5-CPC**
Custom Powder Coat
Black Poppy Plates

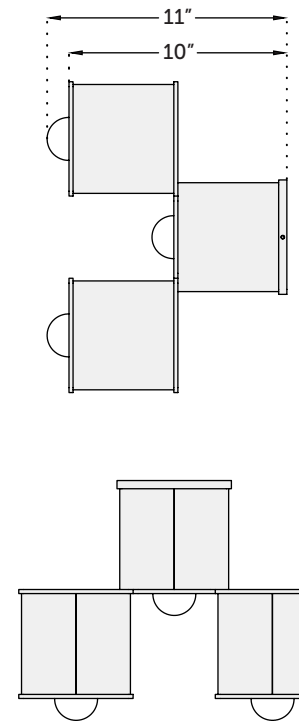
Finish samples sold online.

(401)-400-0206
info@studiodunn.com
www.studiodunn.com

FRONT VIEW




SIDE VIEW



BULBS

For use with E26 base G16.5 or A15 bulb. Sold separately. Please visit our website for details. Many different styles of bulbs work with our fixtures. Please refer to the lamping specifications to determine compatibility.

CUSTOMIZATION

 Custom powder coat colors and custom multi-cube configurations. Please inquire for options and pricing.

Each piece is built to order.

310 Bourne Ave
Building #1
Rumford, RI 02916

Designed by Studio DUNN, 2024

For quotes & custom inquiries
please contact Studio DUNN:
info@studiodunn.com



Finish samples sold online.

(401)-400-0206
info@studiodunn.com
www.studiodunn.com

Each piece is built to order.

310 Bourne Ave
Building #1
Rumford, RI 02916

Designed by Studio DUNN, 2024

For quotes & custom inquiries
please contact Studio DUNN:
info@studiodunn.com

DESCRIPTION





Inspired by 90s puzzle video games, the Tetra XVI combines playfulness with contemporary elegance as a flush mount lighting fixture with striking geometry. Drawing from its Greek origins, "tetra" meaning four, refers to the fixture's square geometry. Comprising sixteen cube-shaped housings sandwiched between plates consisting of intersecting squares, it offers a visually intriguing composition of positive and negative space. Exposed bulbs peek from the surface casting a captivating array of light.

DETAILS

Lead Time | 10–12 Weeks
Materials | Mixed metals
Weight | 40 lbs
Dimensions | 14.25" Height x 41.25" Width x 14.75" Depth (without bulb)
Lamping | 120V/60Hz, E26 Socket, 60W max
Made In | USA



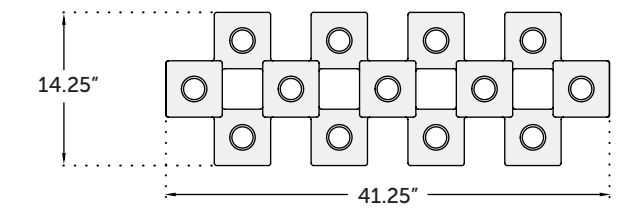
FINISH AND SIZE OPTIONS

-  **TET-16-B**
Brass Housing
Black Poppy Plates
-  **TET-16-N**
Nickel Housing
Black Poppy Plates
-  **TET-16-CC**
Country Cream Housing
Black Poppy Plates
-  **TET-16-BP**
Black Poppy Housing
Black Poppy Plates
-  **TET-16-CPC**
Custom Powder Coat
Black Poppy Plates

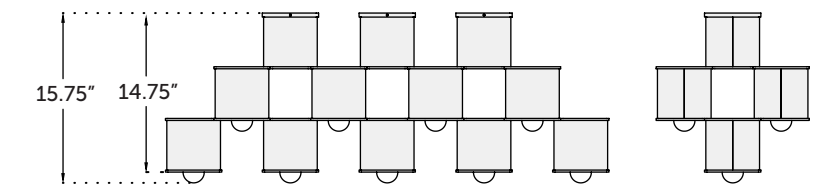
Finish samples sold online.

(401)-400-0206
info@studiodunn.com
www.studiodunn.com

FRONT VIEW




SIDE VIEW



BULBS

For use with E26 base G16.5 or A15 bulb. Sold separately. Please visit our website for details. Many different styles of bulbs work with our fixtures. Please refer to the lamping specifications to determine compatibility.

CUSTOMIZATION

 Custom powder coat colors and custom multi-cube configurations. Please inquire for options and pricing.

Each piece is built to order.

310 Bourne Ave
Building #1
Rumford, RI 02916

Designed by Studio DUNN, 2024

For quotes & custom inquiries
please contact Studio DUNN:
info@studiodunn.com



TABLE

Our table lamps create a serene atmosphere with glowing, ambient lighting. The tabletop fixtures reference the classic profiles and angles of mid-century modern design with distinct clean lines, smooth sweeping curves, and neutral tones for an understated look. Emphasis is placed on the high-quality materials: rich, natural hardwoods; cool, crisp linens; and glowing brass details.



Left: Linden Table Lamp in Cream Linen with Walnut Base and Brass Details
Above: Linden Lamp sampling and concept drawing



Finish samples sold online.

(401)-400-0206
info@studiodunn.com
www.studiodunn.com

Each piece is built to order.

310 Bourne Ave
Building #1
Rumford, RI 02916

Designed by Studio DUNN, 2022

For quotes & custom inquiries
please contact Studio DUNN:
info@studiodunn.com

DESCRIPTION

This stately lamp features a dramatic contrast of textures and materials. Almost 3 feet tall, the linen and steel column lamp has a presiding presence. Clients can select either a 12" or 15" shade. A touch-sensitive switch allows for easy on/off. Inspired by the Bouillotte table lamp, this is our reinterpretation of the neo-classical style.

DETAILS

Lead Time | 8-10 Weeks

Materials | Linen, steel, hardwood, aluminum, and brass wire shades

Weight | 7 lbs


Dimensions | 34" Height x 12" or 15" Diameter


Lamping | 120V/60Hz, E26 Socket, G16.5 Bulb, 60W max


Made In | USA




FINISH AND SIZE OPTIONS

- 

PIL-TL-12X34-BP-CL-WB
12" Shade
Cream Linen
Black Poppy Powder Coat
Walnut Details
- 

PIL-TL-15X34-BP-CL-WB
15" Shade
Cream Linen
Black Poppy Powder Coat
Walnut Details
- 

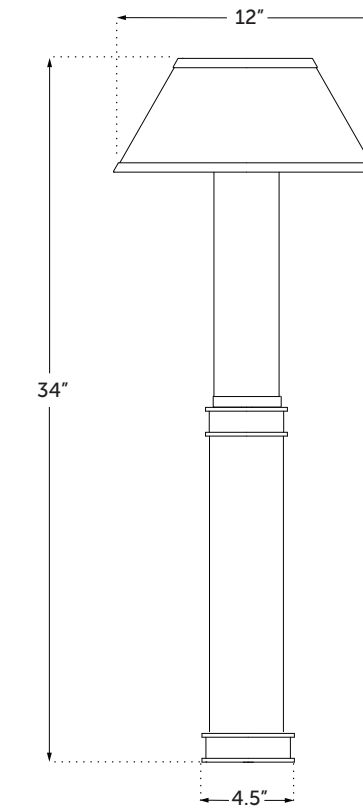
PIL-TL-12X34-BP-CL-MB
12" Shade
Cream Linen
Black Poppy Powder Coat
Maple Details
- 

PIL-TL-15X34-BP-CL-MB
15" Shade
Cream Linen
Black Poppy Powder Coat
Maple Details

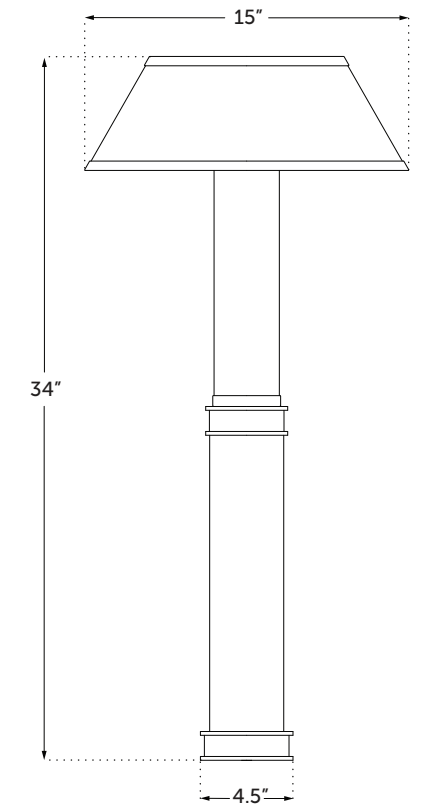
Finish samples sold online.

(401)-400-0206
info@studiodunn.com
www.studiodunn.com

12" SHADE




15" SHADE



BULBS

For use with E26 base G16.5 bulb. Sold separately. Please visit our website for details. Many different styles of bulbs work with our fixtures. Please refer to the lamping specifications to determine compatibility.

CUSTOMIZATION

 Custom hardwoods, powder coat colors, shade fabrics, shade sizes (not to exceed 15" diameter x 7" height), metal tube height. Please inquire for options and pricing.

Each piece is built to order.

310 Bourne Ave
Building #1
Rumford, RI 02916

Designed by Studio DUNN, 2022

For quotes & custom inquiries
please contact Studio DUNN:
info@studiodunn.com



Finish samples sold online.

(401)-400-0206
info@studiodunn.com
www.studiodunn.com

Each piece is built to order.

310 Bourne Ave
Building #1
Rumford, RI 02916

Designed by Studio DUNN, 2023

For quotes & custom inquiries
please contact Studio DUNN:
info@studiodunn.com

DESCRIPTION

Our clover-shaped table lamp compels attention with both organic flow and precise symmetry. The gracefully curved design features a touch-sensitive switch for easy on/off. The optional diffuser softens the light above, while the three-column shade creates a luminous glow. This piece further expands our reinterpretation of the neo-classical Bouillotte table lamp.

DETAILS

Lead Time | 8–10 Weeks

Materials | Linen, steel, hardwood, aluminum, and brass wire shades

Weight | 9 lbs

Dimensions | 18.5" Height x 15" Diameter

Lamping | 120V/60Hz, 3 x E26 Sockets, G16.5 Bulb, 60W max

Made In | USA



FINISH AND SIZE OPTIONS



PIL-TL-15X18-BP-CL-WB
15" Shade
Cream Linen
Black Poppy Powder Coat
Walnut Base

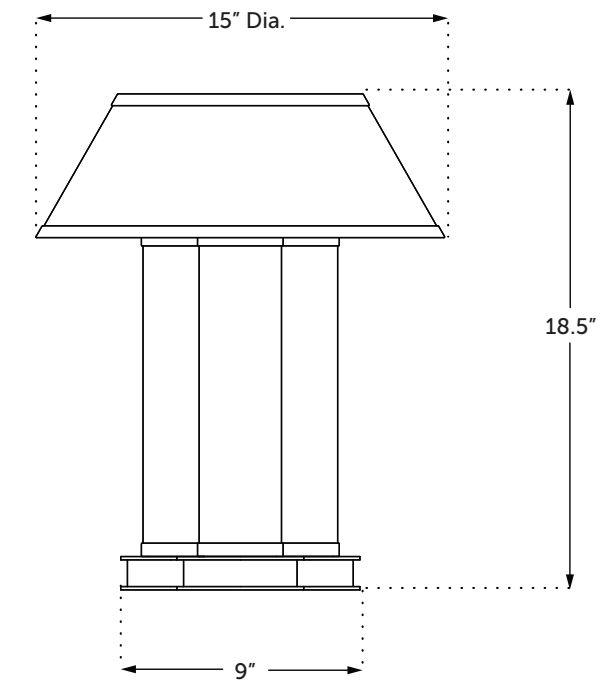


PIL-TL-15X18-BP-CL-MB
15" Shade
Cream Linen
Black Poppy Powder Coat
Maple Base

Finish samples sold online.

(401)-400-0206
info@studiodunn.com
www.studiodunn.com

FRONT VIEW



BULBS

For use with E26 base G16.5 bulb. Sold separately. Please visit our website for details. Many different styles of bulbs work with our fixtures. Please refer to the lamping specifications to determine compatibility.

CUSTOMIZATION



Optional diffuser. Custom hardwoods, powder coat colors, shade fabrics, shade sizes, shade trim, and shade column height. Please inquire for options and pricing.

Each piece is built to order.

310 Bourne Ave
Building #1
Rumford, RI 02916

Designed by Studio DUNN, 2023

For quotes & custom inquiries
please contact Studio DUNN:
info@studiodunn.com



Finish samples sold online.

(401)-400-0206
 info@studiodunn.com
 www.studiodunn.com

Each piece is built to order.

310 Bourne Ave
 Building #1
 Rumford, RI 02916

Designed by Studio DUNN, 2018

For quotes & custom inquiries
 please contact Studio DUNN:
 info@studiodunn.com

DESCRIPTION

A contemporary table lamp with a linen shade and body, hardwood base, and brass details. The structural shape is derived from classic mid-century modern form language. Linen fabric gives a lustrous, glowing quality.

DETAILS

Lead Time | 8-10 Weeks
 Materials | Linen, brass, steel, hardwood
 Weight | 4.5 lbs
 Dimensions | 25" Height x 20" Diameter
 Lamping | 120V/60Hz, E26 socket, 60W max
 Made In | USA



FINISH OPTIONS

- 

LND-TL-20X25-CL-WB
 Cream Linen Shade and Lamp Body
 Walnut Base
 Brass Details
- 

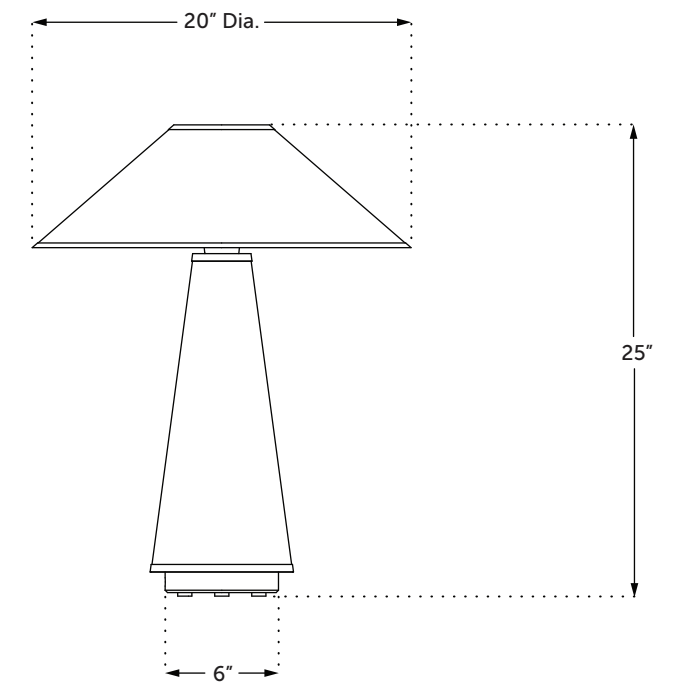
LND-TL-20X25-CH-MB
 Charcoal Linen Shade and Lamp Body
 Maple Base
 Brass Details
- 

LND-TL-20X25-BL-MB
 Black Linen Shade and Lamp Body
 Maple Base
 Brass Details

Finish samples sold online.

(401)-400-0206
 info@studiodunn.com
 www.studiodunn.com

FRONT VIEW



BULBS

Sold separately. Please visit our website for details. Many styles of bulbs work with our fixtures. Refer to the lamping specifications to determine compatibility.

CUSTOMIZATION

Please contact us for customization options.

Each piece is built to order.

310 Bourne Ave
 Building #1
 Rumford, RI 02916

Designed by Studio DUNN, 2018

For quotes & custom inquiries
 please contact Studio DUNN:
 info@studiodunn.com



Finish samples sold online.

(401)-400-0206
info@studiodunn.com
www.studiodunn.com

Each piece is built to order.

310 Bourne Ave
Building #1
Rumford, RI 02916

Designed by Studio DUNN, 2018

For quotes & custom inquiries
please contact Studio DUNN:
info@studiodunn.com

DESCRIPTION

A contemporary table lamp with a linen shade and body, hardwood base, and brass details. The structural shape is derived from classic mid-century modern form language. Linen fabric gives a lustrous, glowing quality.

DETAILS

Lead Time | 8-10 Weeks
Materials | Linen, brass, steel, hardwood
Weight | 4.5 lbs
Dimensions | 25" Height x 16" Diameter
Lamping | 120V/60Hz, E26 socket, 60W max
Made In | USA



FINISH OPTIONS

- 

LND-TL-16X25-CL-WB
Cream Linen Shade and Lamp Body
Walnut Base
Brass Details
- 

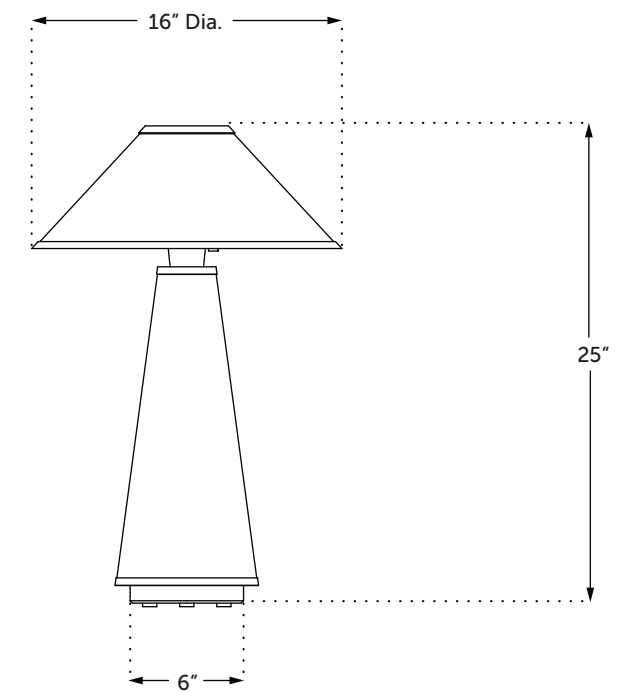
LND-TL-16X25-CH-MB
Charcoal Linen Shade and Lamp Body
Maple Base
Brass Details
- 

LND-TL-16X25-BL-MB
Black Linen Shade and Lamp Body
Maple Base
Brass Details

Finish samples sold online.

(401)-400-0206
info@studiodunn.com
www.studiodunn.com

FRONT VIEW



BULBS

Sold separately. Please visit our website for details. Many styles of bulbs work with our fixtures. Refer to the lamping specifications to determine compatibility.

CUSTOMIZATION

Please contact us for customization options.

Each piece is built to order.

310 Bourne Ave
Building #1
Rumford, RI 02916

Designed by Studio DUNN, 2021

For quotes & custom inquiries
please contact Studio DUNN:
info@studiodunn.com



Finish samples sold online.

(401)-400-0206
info@studiodunn.com
www.studiodunn.com

Each piece is built to order.

310 Bourne Ave
Building #1
Rumford, RI 02916

Designed by Studio DUNN, 2021

For quotes & custom inquiries
please contact Studio DUNN:
info@studiodunn.com

DESCRIPTION

A contemporary table lamp with a linen shade and body, hardwood base, and brass details. The structural shape is derived from classic mid-century modern form language. Linen fabric gives a lustrous, glowing quality.

DETAILS

Lead Time | 8-10 Weeks
Materials | Linen, brass, steel, hardwood
Weight | 4 lbs
Dimensions | 20.5" Height x 16" Diameter
Lamping | 120V/60Hz, E26 socket, 60W max
Made In | USA



FINISH OPTIONS

- 

LND-TL-16X20-CL-WB
Cream Linen Shade and Lamp Body
Walnut Base
Brass Details
- 

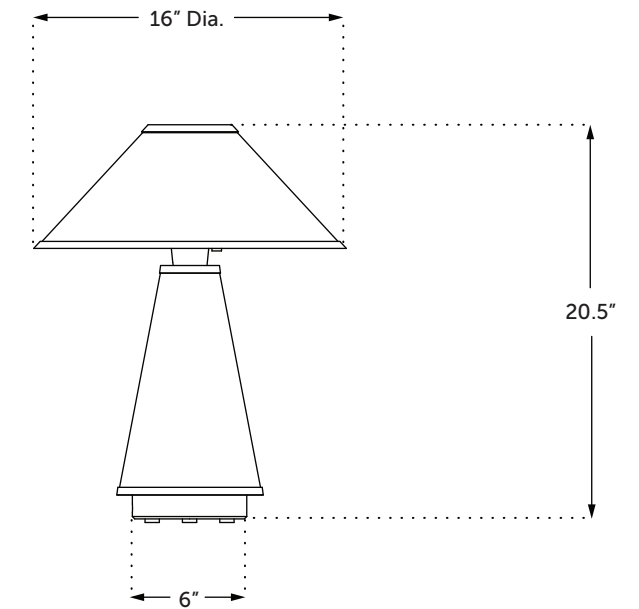
LND-TL-16X20-CH-MB
Charcoal Linen Shade and Lamp Body
Maple Base
Brass Details
- 

LND-TL-16X20-BL-MB
Black Linen Shade and Lamp Body
Maple Base
Brass Details

Finish samples sold online.

(401)-400-0206
info@studiodunn.com
www.studiodunn.com

FRONT VIEW



BULBS

Sold separately. Please visit our website for details. Many styles of bulbs work with our fixtures. Refer to the lamping specifications to determine compatibility.

CUSTOMIZATION

Please contact us for customization options.

Each piece is built to order.

310 Bourne Ave
Building #1
Rumford, RI 02916

Designed by Studio DUNN, 2021

For quotes & custom inquiries
please contact Studio DUNN:
info@studiodunn.com



Finish samples sold online.

(401)-400-0206
 info@studiodunn.com
 www.studiodunn.com

Each piece is built to order.

310 Bourne Ave
 Building #1
 Rumford, RI 02916

Designed by Studio DUNN, 2019

For quotes & custom inquiries
 please contact Studio DUNN:
 info@studiodunn.com

DESCRIPTION


This small table lamp features a handcrafted hardwood body and luxurious linen shade. The modern silhouette is perfectly balanced and enhanced by the high-end finishes.


DETAILS


Lead Time | 8-10 Weeks
 Materials | Linen, brass, steel, hardwood
 Weight | 6 lbs
 Dimensions | 18" Height x 11" Diameter
 Lamping | 120V/60Hz, E26 socket, 60W max
 Made In | USA




FINISH OPTIONS

- 

BEA-TL18-CL-WB
 Cream Linen Shade
 Walnut Lamp Body
 Brass Details
- 

BEA-TL18-BL-WB
 Black Linen Shade
 Walnut Lamp Body
 Brass Details
- 

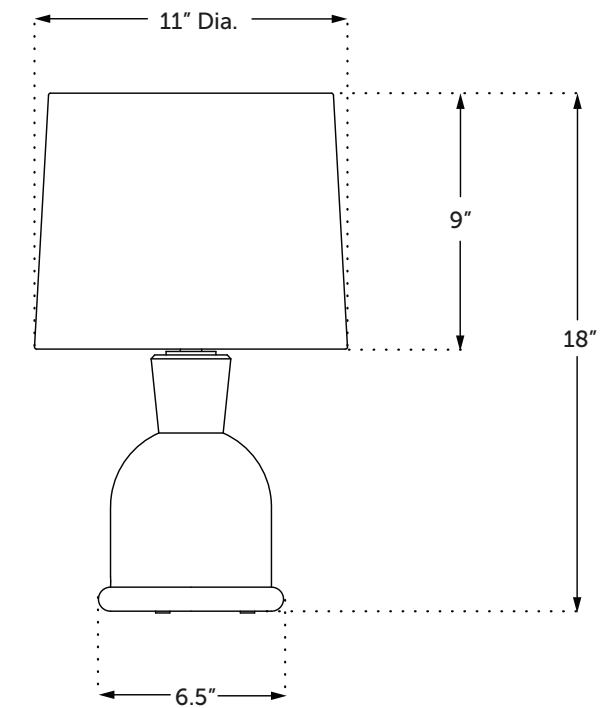
BEA-TL18-CL-MB
 Cream Linen Shade
 Maple Lamp Body
 Brass Details
- 

BEA-TL18-BL-MB
 Black Linen Shade
 Maple Lamp Body
 Brass Details

Finish samples sold online.

(401)-400-0206
 info@studiodunn.com
 www.studiodunn.com

FRONT VIEW



BULBS

Sold separately. Please visit our website for details. Many styles of bulbs work with our fixtures. Refer to the lamping specifications to determine compatibility.

CUSTOMIZATION

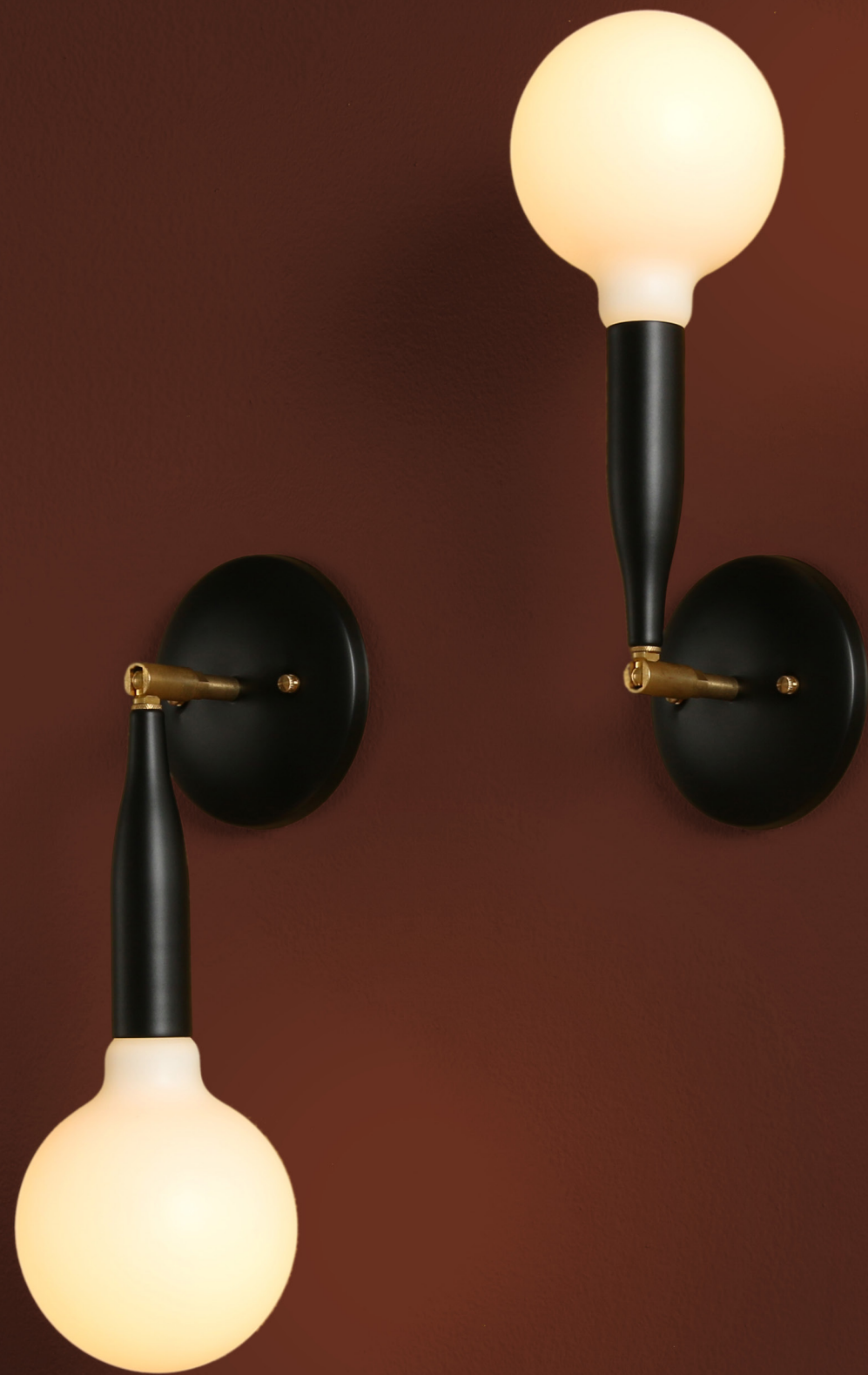
No customization currently available for this product.

Each piece is built to order.

310 Bourne Ave
 Building #1
 Rumford, RI 02916

Designed by Studio DUNN, 2019

For quotes & custom inquiries
 please contact Studio DUNN:
 info@studiodunn.com



WALL

Accent lighting that makes a bold statement, our range of wall sconces is modern and refined. Our sconces play with the concept of light and shadow, casting tranquil glows and creating dynamic sculptural shapes. Powder coated colors, handblown glass, and exposed bulbs give a nod to mid-century modern design while achieving a contemporary feel. Suitable for accent or task lighting, these pieces work in a variety of settings.



*Left: Flute Sconce in Black Poppy with Brass Details and Tala Porcelain II Bulbs
Above: Cumberland Sconce blown glass shades in Opal White and Smoke Grey*



Finish samples sold online.

(401)-400-0206
info@studiodunn.com
www.studiodunn.com

Each piece is built to order.

310 Bourne Ave
Building #1
Rumford, RI 02916

Designed by Studio DUNN, 2022

For quotes & custom inquiries
please contact Studio DUNN:
info@studiodunn.com

DESCRIPTION

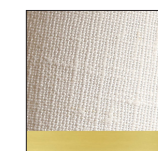
A modern linen wall fixture that reinterprets the classic art deco sconce. The flared end can be positioned either facing upwards or downwards, creating a dramatic presence that is both compelling and understated.

DETAILS

Lead Time | 6-8 Weeks
Materials | Linen, brass, and steel
Dimensions | 23.5" H x 10.5" W x 7.5" D
Weight | 4 lbs
Canopy | 5" Diameter x 1" Height
Lamping | 120V/60Hz, E12 sockets, 60W max
Made In | USA



FINISH OPTIONS

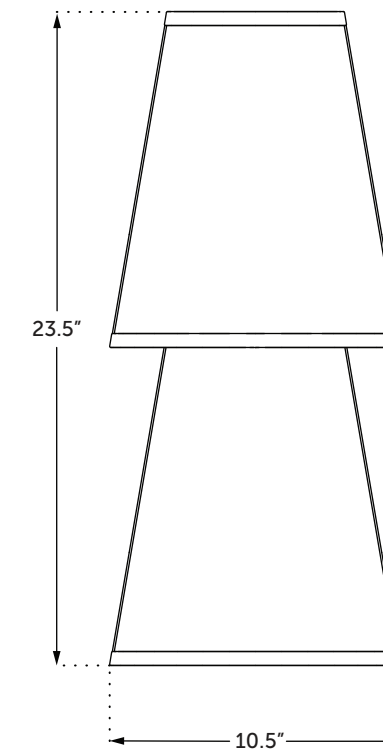


LND-2-SCO-235
Cream Linen Shades
Brass Fittings

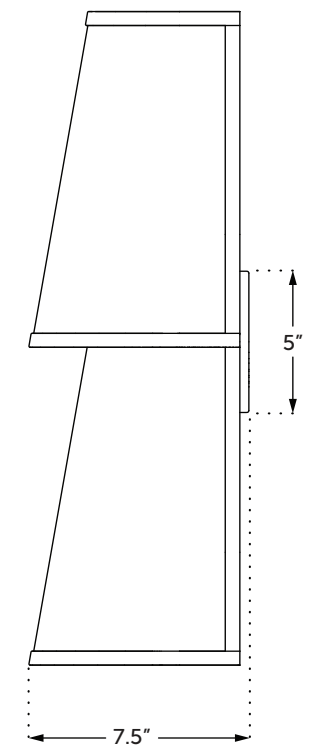
Finish samples sold online.

(401)-400-0206
info@studiodunn.com
www.studiodunn.com

FRONT VIEW



SIDE VIEW



BULBS

Requires two E12 base bulbs. Sold separately. Please visit our website for details. Many different styles of bulbs work with our fixtures. Please refer to the lamping specifications to determine compatibility.

CUSTOMIZATION

Please contact us for customization options.

Each piece is built to order.

310 Bourne Ave
Building #1
Rumford, RI 02916

Designed by Studio DUNN, 2022

For quotes & custom inquiries
please contact Studio DUNN:
info@studiodunn.com



Finish samples sold online.

(401)-400-0206
info@studiodunn.com
www.studiodunn.com

Each piece is built to order.

310 Bourne Ave
Building #1
Rumford, RI 02916

Designed by Studio DUNN, 2022

For quotes & custom inquiries
please contact Studio DUNN:
info@studiodunn.com

DESCRIPTION

A smaller sibling to our best-selling Linden 2-Sconce - 23.5in, this modern linen wall fixture reinterprets classic art deco geometry. Position the flared end upwards or downwards for a soft dramatic glow that is both compelling and understated.

DETAILS

Lead Time | 6-8 Weeks
Materials | Linen, brass, and steel
Dimensions | 15.5" H x 8.25" W x 6.25" D
Weight | 4 lbs
Canopy | 5" Diameter x 1" Height
Lamping | 120V/60Hz, E12 sockets, 60W max
Made In | USA



FINISH OPTIONS

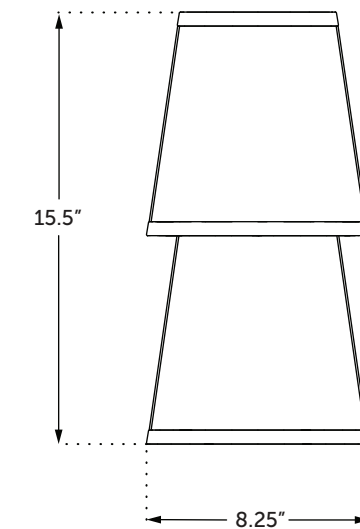


LND-2-SCO-155
Cream Linen Shades
Brass Fittings

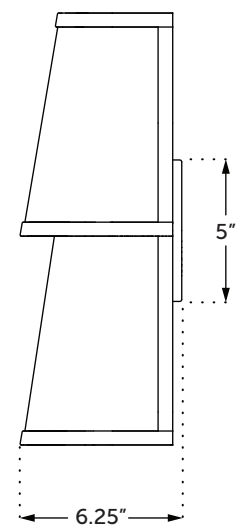
Finish samples sold online.

(401)-400-0206
info@studiodunn.com
www.studiodunn.com

FRONT VIEW



SIDE VIEW



BULBS

Requires two E12 base bulbs. Sold separately. Please visit our website for details. Many different styles of bulbs work with our fixtures. Please refer to the lamping specifications to determine compatibility.

CUSTOMIZATION

Please contact us for customization options.

Each piece is built to order.

310 Bourne Ave
Building #1
Rumford, RI 02916

Designed by Studio DUNN, 2022

For quotes & custom inquiries
please contact Studio DUNN:
info@studiodunn.com



Finish samples sold online.

(401)-400-0206
info@studiodunn.com
www.studiodunn.com

Each piece is built to order.

310 Bourne Ave
Building #1
Rumford, RI 02916

Designed by Studio DUNN, 2016

For quotes & custom inquiries
please contact Studio DUNN:
info@studiodunn.com

DESCRIPTION

The midcentury-inspired linear wall sconce is minimal and sophisticated.

DETAILS

Lead Time | 8-10 Weeks
Materials | Steel and brass
Dimensions | 24.4" H x 5" W x 3.75" D
Weight | 2 lbs
Canopy | 5" Diameter x 1" Height
Lamping | 120V/60Hz, E26 socket, 60W max
Made In | USA

FINISH OPTIONS

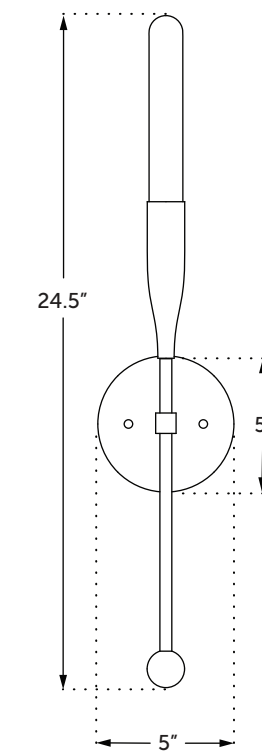
-  **SOR-SCO-B**
Brushed Brass
-  **SOR-SCO-N**
Brushed Nickel
-  **SOR-SCO-OR**
Oil Rubbed Brass
-  **SOR-SCO-OR-B**
Oil Rubbed Brass
Brass Details
-  **SOR-SCO-BP-B**
Black Poppy
Brass Details
-  **SOR-SCO-BP-N**
Black Poppy
Nickel Details

Metal details include canopy screw caps.

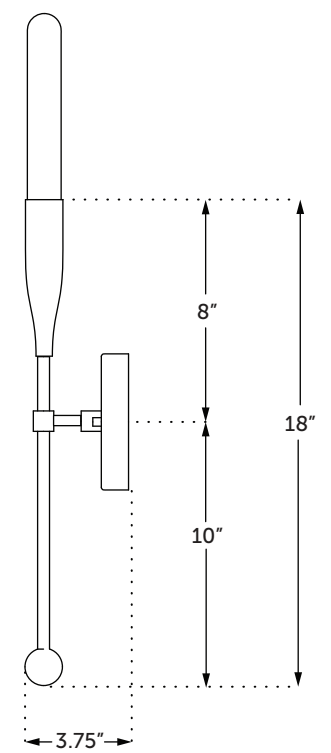
Finish samples sold online.

(401)-400-0206
info@studiodunn.com
www.studiodunn.com

FRONT VIEW




SIDE VIEW



BULBS



Sold separately. Please visit our website for details. Many styles of bulbs work with our fixtures. Refer to the lamping specifications to determine compatibility.

CUSTOMIZATION

 This product is available in custom powder coat colors and plated finishes. Please note that fees will apply. For more information, please refer to our Custom Powder Coating guide or contact us.

This product can be customized in length and configuration.

CERTIFICATIONS

  This product is ADA Compliant when used with T10 Tubular bulbs.

Each piece is built to order.

310 Bourne Ave
Building #1
Rumford, RI 02916

Designed by Studio DUNN, 2016

For quotes & custom inquiries
please contact Studio DUNN:
info@studiodunn.com



Finish samples sold online.

(401)-400-0206
info@studiodunn.com
www.studiodunn.com

Each piece is built to order.

310 Bourne Ave
Building #1
Rumford, RI 02916

Designed by Studio DUNN, 2019

For quotes & custom inquiries
please contact Studio DUNN:
info@studiodunn.com

DESCRIPTION

The fluted lines of this contemporary sconce work in a vertical or horizontal orientation.

DETAILS

Lead Time | 8-10 Weeks
Materials | Steel and brass
Dimensions | 24.5" H x 5" W x 3.75 D
Weight | 1 lbs
Canopy | 5" Diameter x 1" Height
Lamping | 120V/60Hz, E26 sockets, 60W max
Made In | USA

FINISH OPTIONS

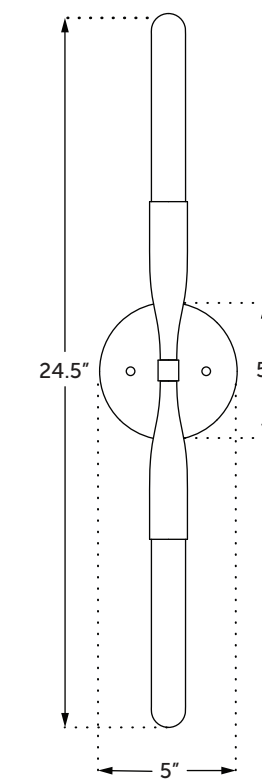
-  SOR-2-SCO-B
Brushed Brass
-  SOR-2-SCO-N
Brushed Nickel
-  SOR-2-SCO-OR
Oil Rubbed Brass
-  SOR-2-SCO-OR-B
Oil Rubbed Brass
Brass Details
-  SOR-2-SCO-BP-B
Black Poppy
Brass Details
-  SOR-2-SCO-BP-N
Black Poppy
Nickel Details

Metal details include canopy screw caps.

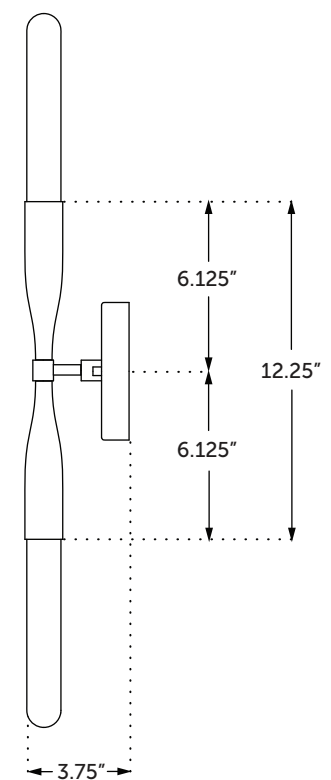
Finish samples sold online.

(401)-400-0206
info@studiodunn.com
www.studiodunn.com

FRONT VIEW




SIDE VIEW



BULBS

Sold separately. Please visit our website for details. Many styles of bulbs work with our fixtures. Refer to the lamping specifications to determine compatibility.

CUSTOMIZATION

 This product is available in custom powder coat colors and plated finishes. Please note that fees will apply. For more information, please refer to our Custom Powder Coating guide or contact us.

This product can be customized in length and configuration.

CERTIFICATIONS



This product is ADA Compliant when used with T10 Tubular bulbs.

Each piece is built to order.

310 Bourne Ave
Building #1
Rumford, RI 02916

Designed by Studio DUNN, 2019

For quotes & custom inquiries
please contact Studio DUNN:
info@studiodunn.com



Finish samples sold online.

(401)-400-0206
info@studiodunn.com
www.studiodunn.com

Each piece is built to order.

310 Bourne Ave
Building #1
Rumford, RI 02916

Designed by Studio DUNN, 2016

For quotes & custom inquiries
please contact Studio DUNN:
info@studiodunn.com

DESCRIPTION

A minimalist wall sconce with an exposed bulb, this contemporary light fixture adjusts up and down and side to side.

DETAILS


Lead Time | 4-6 Weeks
Materials | Steel and brass
Weight | 1 lbs
Flute Dimensions | 5.75"H x 1.5"W x 1.5"D
Canopy | 5" Diameter x 1" Height
Lamping | 120V/60Hz, E26 socket, 60W max
Made In | USA



FINISH OPTIONS

- 

FLU-SCO-BP-B
Black Poppy
Brass Details
- 

FLU-SCO-BP-N
Black Poppy
Nickel Details
- 

FLU-SCO-CC-B
Country Cream
Brass Details
- 

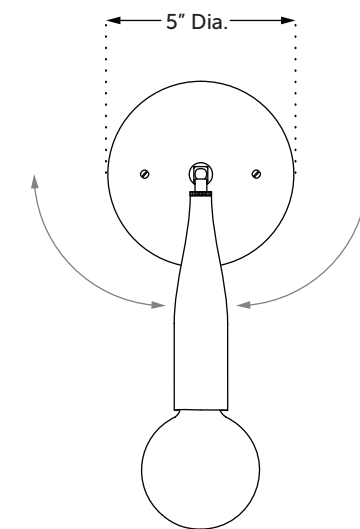
FLU-SCO-CC-N
Country Cream
Nickel Details

Metal details include strain reliefs and canopy screw caps.

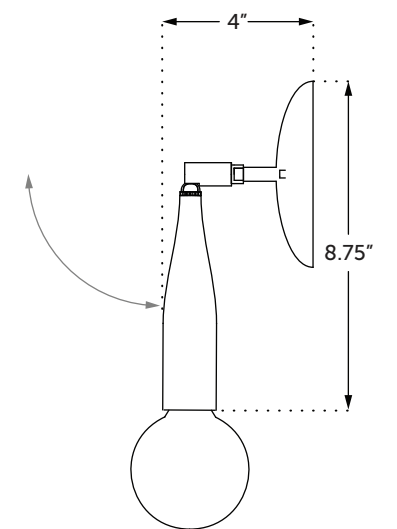
Finish samples sold online.

(401)-400-0206
info@studiodunn.com
www.studiodunn.com

FRONT VIEW




SIDE VIEW



BULBS

Sold separately. Please visit our website for details. Many styles of bulbs work with our fixtures. Refer to the lamping specifications to determine compatibility.

CUSTOMIZATION

 This product is available in custom powder coat colors. Please note that fees will apply. For more information, please refer to our Custom Powder Coating guide or contact us.

Each piece is built to order.

310 Bourne Ave
Building #1
Rumford, RI 02916

Designed by Studio DUNN, 2016

For quotes & custom inquiries
please contact Studio DUNN:
info@studiodunn.com



Finish samples sold online.

(401)-400-0206
info@studiodunn.com
www.studiodunn.com

Each piece is built to order.

310 Bourne Ave
Building #1
Rumford, RI 02916

Designed by Studio DUNN, 2014

For quotes & custom inquiries
please contact Studio DUNN:
info@studiodunn.com

DESCRIPTION


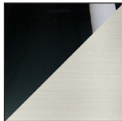
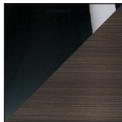


Our sculptural glass wall sconce is hand-made by a local glassblower. A metal canopy complements the custom glass shade.

DETAILS

Lead Time | 6–8 Weeks
Materials | Glass, steel and brass
Weight | 3 lbs
Dimensions | 10" H x 5" W x 8" D
Canopy | 5" Diameter x 1" Depth
Lamping | 120V/60Hz, E12 socket, 60W max
Made In | USA



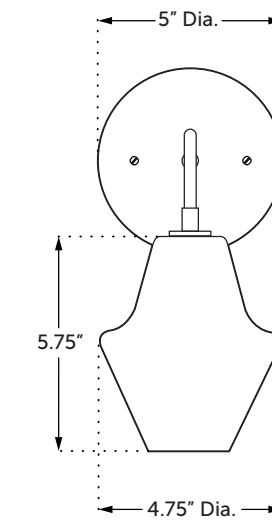
FINISH OPTIONS

-  **CMB-SCO-SG-B**
Smoke Grey Glass
Brass Metal
-  **CMB-SCO-SG-N**
Smoke Grey Glass
Nickel Metal
-  **CMB-SCO-SG-OR**
Smoke Grey Glass
Oil Rubbed Brass Metal
-  **CMB-SCO-OW-B**
Opal White Glass
Brass Metal
-  **CMB-SCO-OW-N**
Opal White Glass
Nickel Metal
-  **CMB-SCO-OW-OR**
Opal White Glass
Oil Rubbed Brass Metal

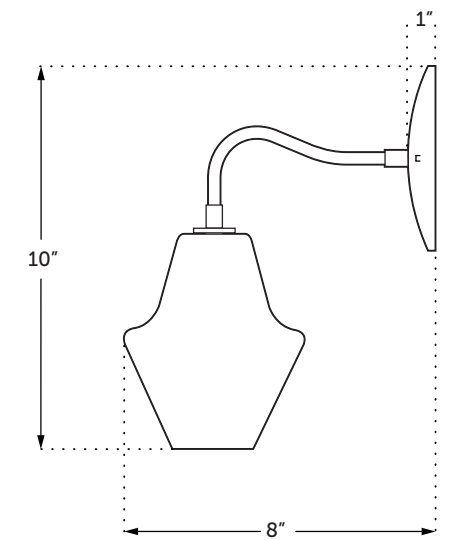
Finish samples sold online.

(401)-400-0206
info@studiodunn.com
www.studiodunn.com

FRONT VIEW



SIDE VIEW



BULBS

Sold separately. Please visit our website for details. Many styles of bulbs work with our fixtures. Refer to the lamping specifications to determine compatibility.

CUSTOMIZATION

The size and color of the glass is not customizable.

Each piece is built to order.

310 Bourne Ave
Building #1
Rumford, RI 02916

Designed by Studio DUNN, 2014

For quotes & custom inquiries
please contact Studio DUNN:
info@studiodunn.com



Finish samples sold online.

(401)-400-0206
info@studiodunn.com
www.studiodunn.com

Each piece is built to order.

310 Bourne Ave
Building #1
Rumford, RI 02916

Designed by Studio DUNN, 2023

For quotes & custom inquiries
please contact Studio DUNN:
info@studiodunn.com

DESCRIPTION

Our modern wall sconce combines symmetry and candle-like geometry to create a striking silhouette suitable for a variety of environments. A narrow shade and single column of luxurious linen rises from a curved hardwood base casting a tranquil glow. This piece further expands our reinterpretation of the neo-classical Bouillotte table lamp.

DETAILS

Lead Time | 8-10 Weeks

Materials | Mixed metals, hardwood, linen

Weight | 3.5 lbs

Dimensions | 12.5" Height x 8" Width x 10" Depth

Lamping | 120V/60Hz, E26 Socket, G16.5 Bulb, 60W max

Made In | USA



FINISH AND SIZE OPTIONS



PIL-R-SCO-W
8" Shade
Cream Linen
Black Poppy Powder Coat
Walnut Base

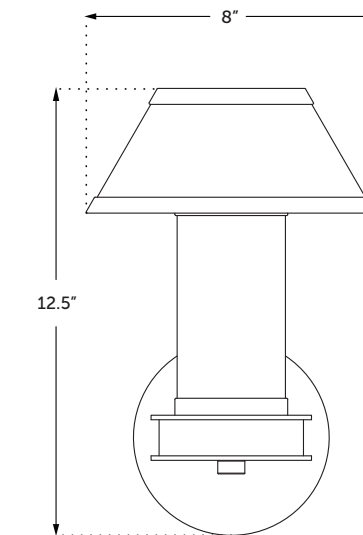


PIL-R-SCO-M
8" Shade
Cream Linen
Black Poppy Powder Coat
Maple Base

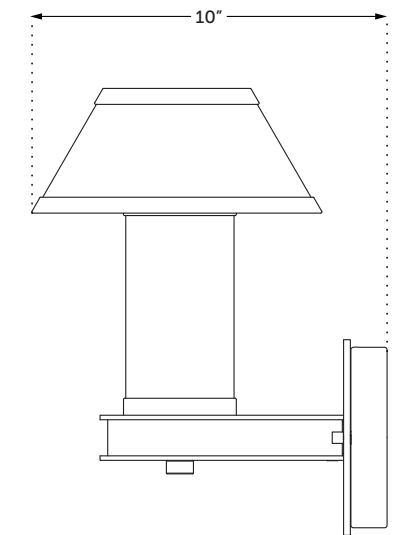
Finish samples sold online.

(401)-400-0206
info@studiodunn.com
www.studiodunn.com

FRONT VIEW



SIDE VIEW



BULBS

For use with E26 base G16.5 bulb. Sold separately. Please visit our website for details. Many different styles of bulbs work with our fixtures. Please refer to the lamping specifications to determine compatibility.

CUSTOMIZATION



Custom hardwoods, powder coat colors, shade fabrics, and shade column height. Please inquire for options and pricing.

Each piece is built to order.

310 Bourne Ave
Building #1
Rumford, RI 02916

Designed by Studio DUNN, 2023

For quotes & custom inquiries
please contact Studio DUNN:
info@studiodunn.com



Finish samples sold online.

(401)-400-0206
info@studiodunn.com
www.studiodunn.com

Each piece is built to order.

310 Bourne Ave
Building #1
Rumford, RI 02916

Designed by Studio DUNN, 2023

For quotes & custom inquiries
please contact Studio DUNN:
info@studiodunn.com

DESCRIPTION

Our modern wall sconce combines symmetry and candle-like geometry to create a striking silhouette suitable for a variety of environments. A narrow shade and single column of luxurious linen descends from a curved hardwood base casting a tranquil glow. This piece further expands our reinterpretation of the neo-classical Bouillotte table lamp.

DETAILS

Lead Time | 8–10 Weeks

Materials | Mixed metals, hardwood, linen

Weight | 3.5 lbs

Dimensions | 12.5" Height x 8" Width x 10" Depth

Lamping | 120V/60Hz, E26 Socket, G16.5 Bulb, 60W max

Made In | USA



FINISH AND SIZE OPTIONS



PIL-D-SCO-W
8" Shade
Cream Linen
Black Poppy Powder Coat
Walnut Base

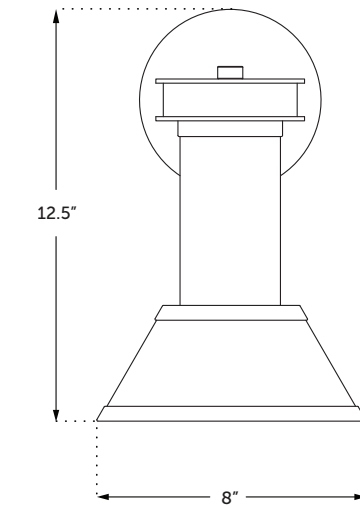


PIL-D-SCO-M
8" Shade
Cream Linen
Black Poppy Powder Coat
Maple Base

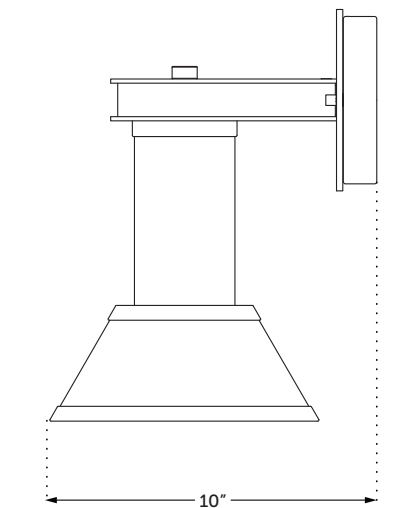
Finish samples sold online.

(401)-400-0206
info@studiodunn.com
www.studiodunn.com

FRONT VIEW



SIDE VIEW



BULBS

For use with E26 base G16.5 bulb. Sold separately. Please visit our website for details. Many different styles of bulbs work with our fixtures. Please refer to the lamping specifications to determine compatibility.

CUSTOMIZATION



Custom hardwoods, powder coat colors, shade fabrics, and shade column height. Please inquire for options and pricing.

Each piece is built to order.

310 Bourne Ave
Building #1
Rumford, RI 02916

Designed by Studio DUNN, 2023

For quotes & custom inquiries
please contact Studio DUNN:
info@studiodunn.com



Finish samples sold online.

(401)-400-0206
info@studiodunn.com
www.studiodunn.com

Each piece is built to order.

310 Bourne Ave
Building #1
Rumford, RI 02916

Designed by Studio DUNN, 2024

For quotes & custom inquiries
please contact Studio DUNN:
info@studiodunn.com

DESCRIPTION

The Tetra I embodies contemporary elegance as a flush mount lighting fixture with bold, striking geometry and a hint of playfulness. Inspired by 90s puzzle video games, the Tetra I invites the user to play with the object's orientation and arrangement, whether mounted solo or in groups on the wall or ceiling. Drawing from its Greek origins, "tetra" meaning four, refers to the fixture's square geometry. The piece consists of a cube-shaped housing sandwiched between two square plates. An exposed bulb peeks out from the surface casting a captivating glow of light.

DETAILS

Lead Time | 10-12 Weeks

Materials | Mixed metals

Weight | 2.5 lbs


Dimensions | 5.25" Height (without bulb) x 5.25" Width x 5.25" Depth

Lamping | 120V/60Hz, E26 Socket, 60W max

Made In | USA



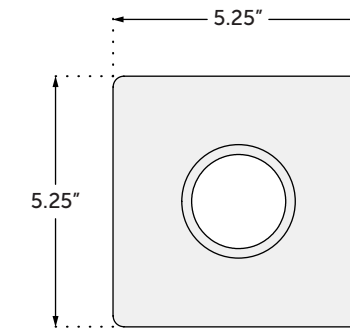
FINISH AND SIZE OPTIONS

-  **TET-1-B**
Brass Housing
Black Poppy Plates
-  **TET-1-N**
Nickel Housing
Black Poppy Plates
-  **TET-1-CC**
Country Cream Housing
Black Poppy Plates
-  **TET-1-BP**
Black Poppy Housing
Black Poppy Plates
-  **TET-1-CPC**
Custom Powder Coat
Black Poppy Plates

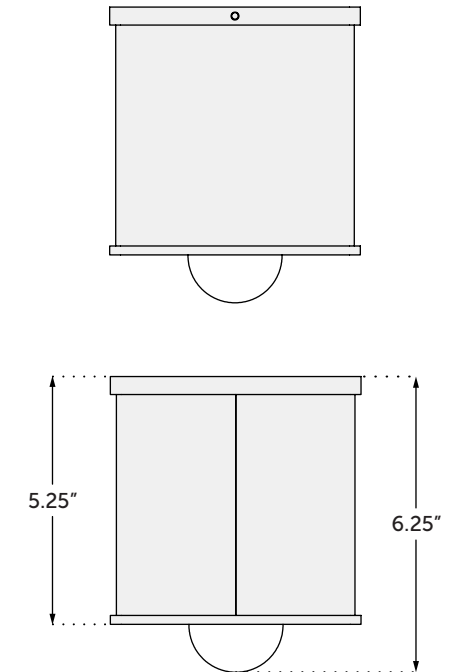
Finish samples sold online.

(401)-400-0206
info@studiodunn.com
www.studiodunn.com

FRONT VIEW




SIDE VIEW



BULBS

For use with E26 base G16.5 or A15 bulb. Sold separately. Please visit our website for details. Many different styles of bulbs work with our fixtures. Please refer to the lamping specifications to determine compatibility.

CUSTOMIZATION

 Custom powder coat colors and custom multi-cube configurations. Please inquire for options and pricing.

Each piece is built to order.

310 Bourne Ave
Building #1
Rumford, RI 02916

Designed by Studio DUNN, 2024

For quotes & custom inquiries
please contact Studio DUNN:
info@studiodunn.com



Finish samples sold online.

(401)-400-0206
info@studiodunn.com
www.studiodunn.com

Each piece is built to order.

310 Bourne Ave
Building #1
Rumford, RI 02916

Designed by Studio DUNN, 2024

For quotes & custom inquiries
please contact Studio DUNN:
info@studiodunn.com

DESCRIPTION


The Tetra III embodies contemporary elegance as a flush mount lighting fixture with striking geometry and a hint of playfulness. Inspired by 90s puzzle video games, the Tetra III invites the user to play with the object's orientation whether mounted on the wall or ceiling. Drawing from its Greek origins, "tetra" meaning four, refers to the fixture's square geometry. Comprising three cube-shaped housings sandwiched between plates consisting of intersecting squares, it offers a visually intriguing composition of positive and negative space. Exposed bulbs peek out from the surface creating a captivating array of light.

DETAILS

Lead Time | 10–12 Weeks
Materials | Mixed metals
Weight | 7.5 lbs
Dimensions | 14.25" Height x 14.25" Width x 10" Depth (without bulb)
Lamping | 120V/60Hz, E26 Socket, 60W max
Made In | USA



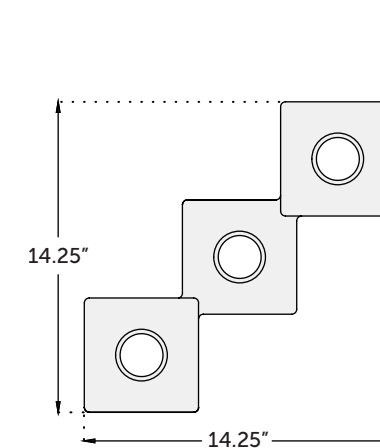
FINISH AND SIZE OPTIONS

-  **TET-3-B**
Brass Housing
Black Poppy Plates
-  **TET-3-N**
Nickel Housing
Black Poppy Plates
-  **TET-3-CC**
Country Cream Housing
Black Poppy Plates
-  **TET-3-BP**
Black Poppy Housing
Black Poppy Plates
-  **TET-3-CPC**
Custom Powder Coat
Black Poppy Plates

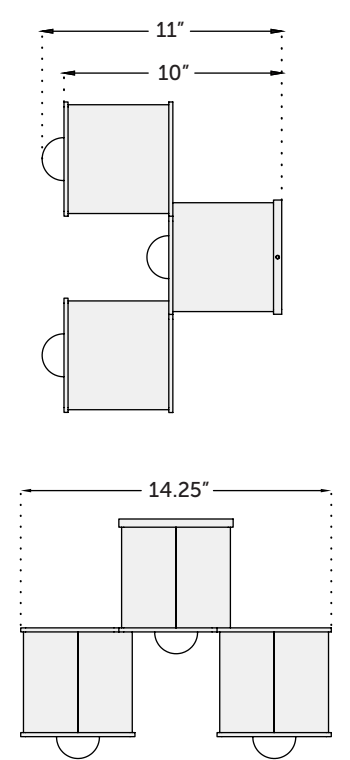
Finish samples sold online.

(401)-400-0206
info@studiodunn.com
www.studiodunn.com

FRONT VIEW




SIDE VIEW



BULBS

For use with E26 base G16.5 or A15 bulb. Sold separately. Please visit our website for details. Many different styles of bulbs work with our fixtures. Please refer to the lamping specifications to determine compatibility.

CUSTOMIZATION

 Custom powder coat colors and custom multi-cube configurations. Please inquire for options and pricing.

Each piece is built to order.

310 Bourne Ave
Building #1
Rumford, RI 02916

Designed by Studio DUNN, 2024

For quotes & custom inquiries
please contact Studio DUNN:
info@studiodunn.com

DUNN

Studio DUNN

310 Bourne Ave, Bldg 1

Rumford, RI 02916

T: 401.400.0206

E: info@studiodunn.com

www.studiodunn.com

Instagram [@studiodunn](https://www.instagram.com/studiodunn)

Facebook [@StudioDUNN](https://www.facebook.com/StudioDUNN)

Pinterest [pinterest.com/studiodunn](https://www.pinterest.com/studiodunn)

Every piece of DUNN lighting is handcrafted to order in our Rhode Island studio and in partnership with our artisans and manufacturers.

Custom finishes, dimensions and configurations are available.

Cover image: Pillaret 34in Table Lamp in Cream Linen, Black Poppy, and Walnut

