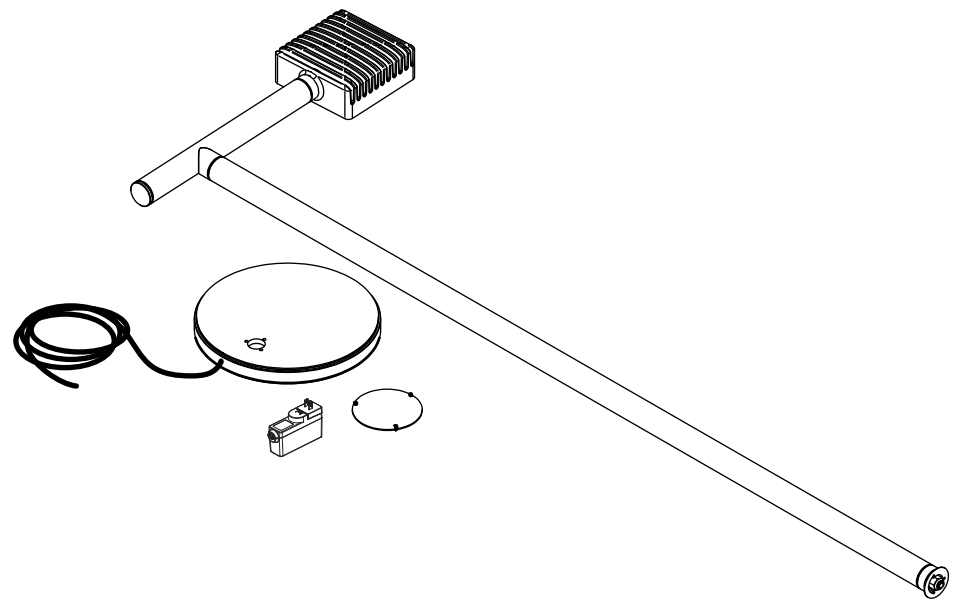
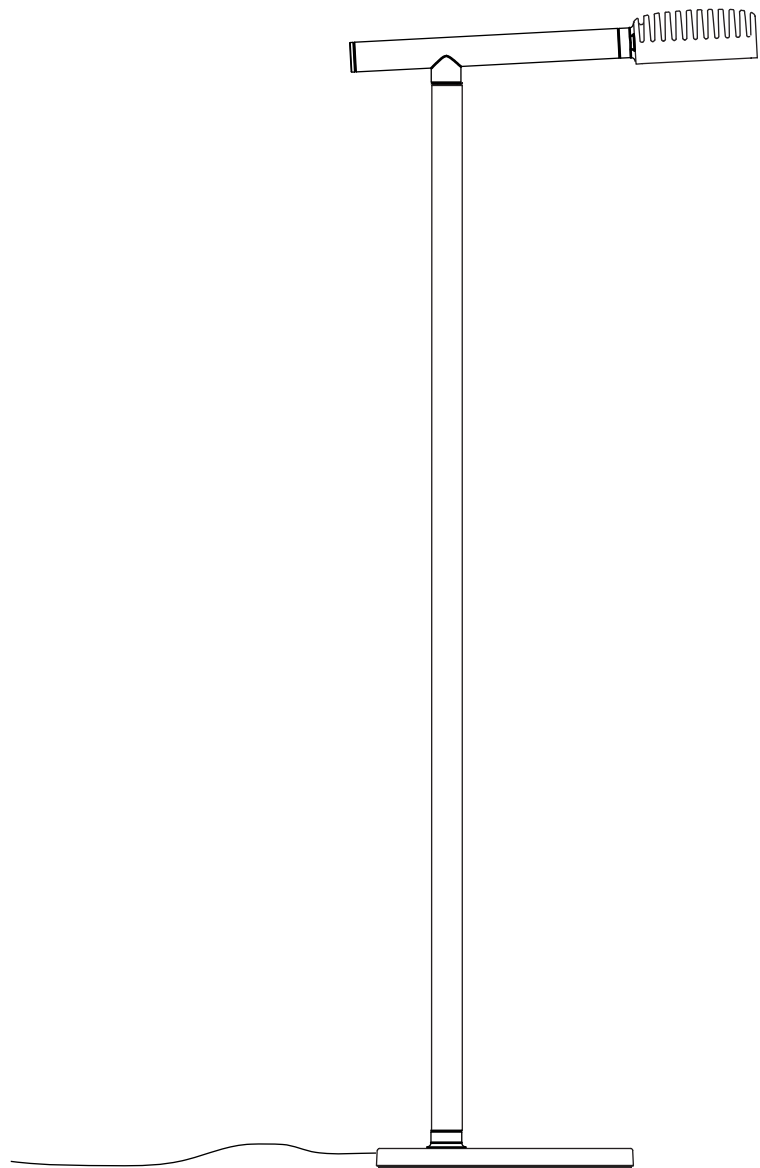




DORVAL FLOOR

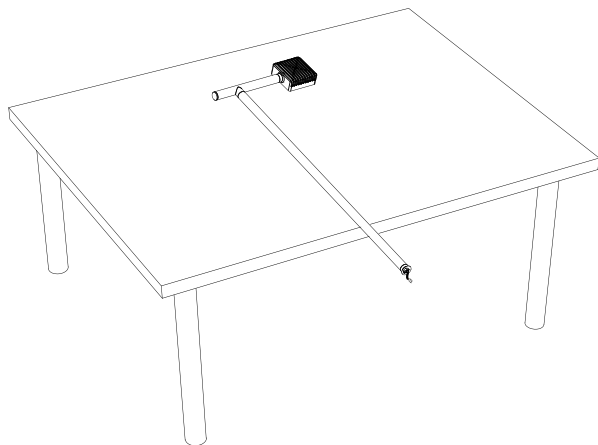




- Please read entire manual before installation
- Wear enclosed gloves when handling lamp
- Handle materials with care. Please consult lamp maintenance sheet on our web site

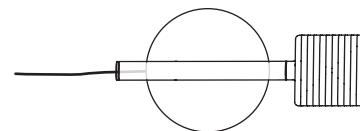


Unbox the luminaire and lay it flat on a non abrasive table, leaving a small part of the vertical tube over the edge of the surface.

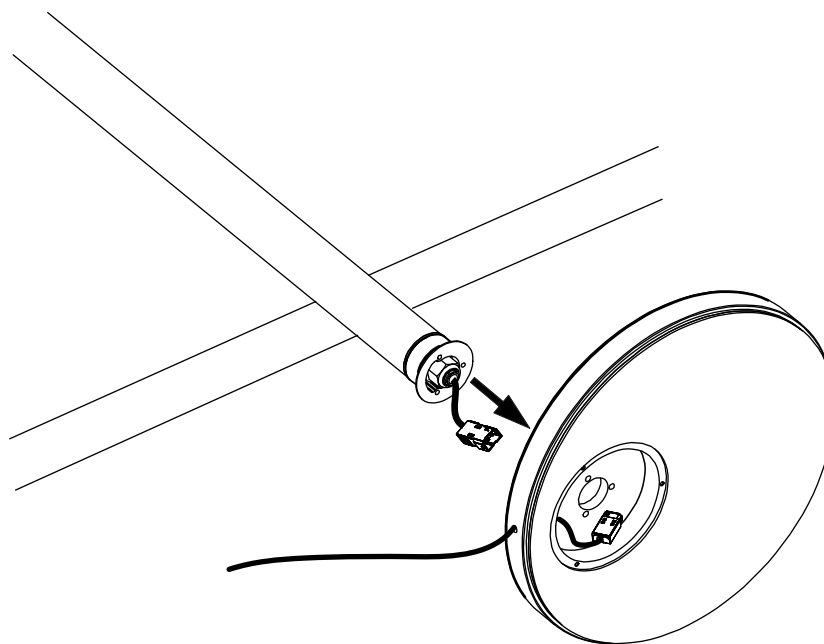


1

Feed wire with connector through the hole in the base and then fit the vertical tube into the hole of the base.



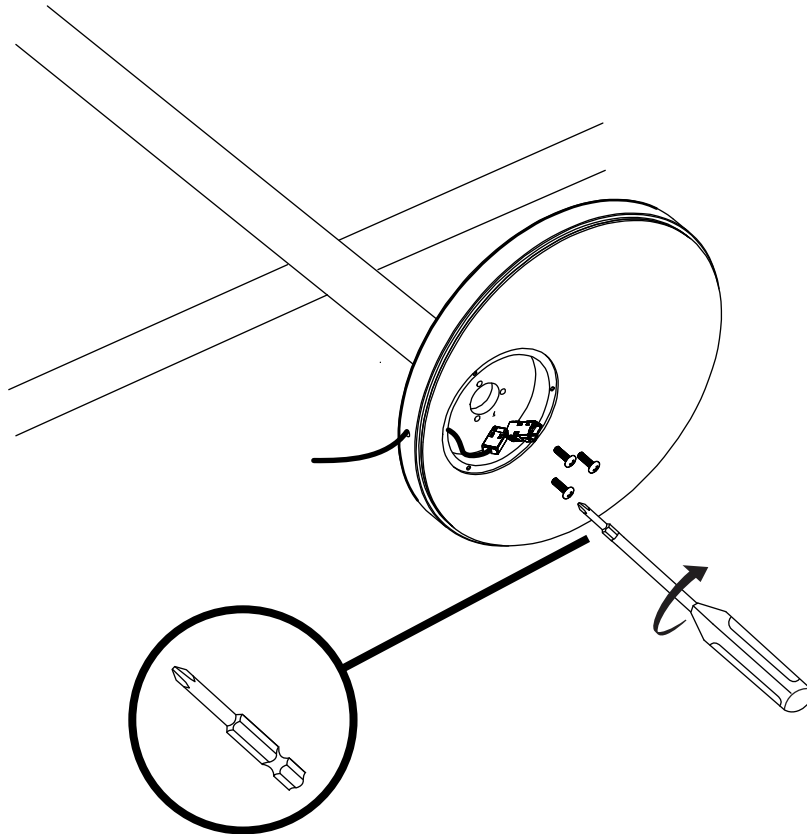
Note exit wire and luminaire arm are aligned.



2

Secure base with the three provided screws.

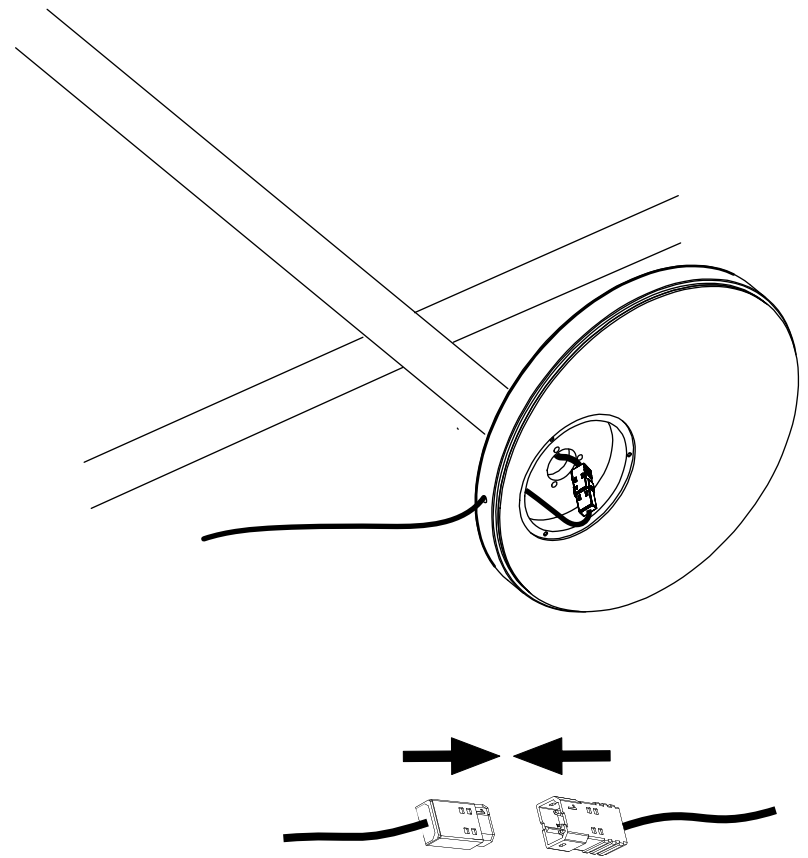
Have one person hold the base while the others tightens the screws.



provided drill bit

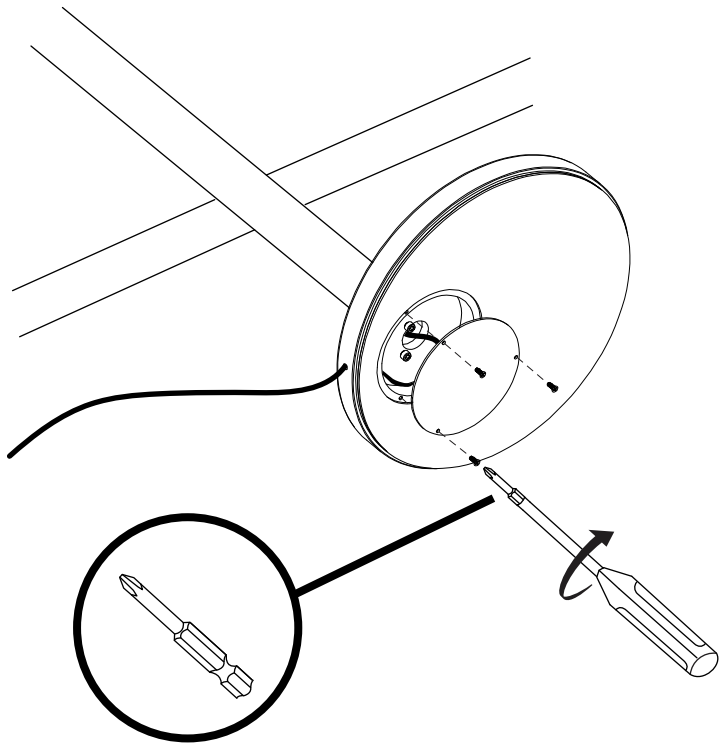
3

Connect the quick connectors.



4

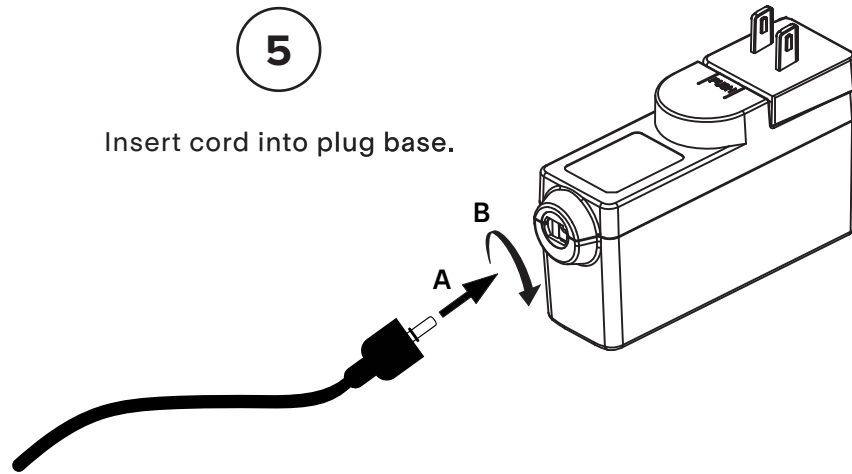
Secure base cover plate with 3 provided screws.



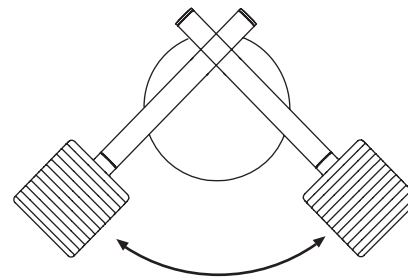
provided drill bit

5

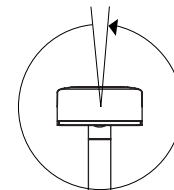
Insert cord into plug base.



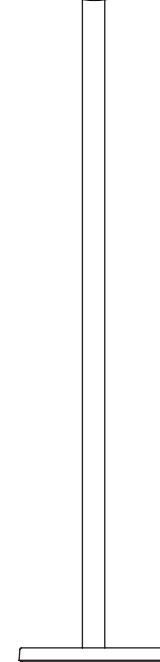
6



(90° rotation)



(350° rotation)



TOUCH DIMMER CONTROL

GENERAL NOTES

The touch dimmer is located on the end cap of the luminaire.
The luminaire is preset to dim-to-warm mode (3000K-2200K).
Other options available, refer to programming section below.
When plugging in the luminaire, wait 5 seconds before touching the sensitive end cap.

STANDARD OPERATIONS

1 or 2 touches = Turn ON/OFF

1 constant touch when light is OFF = Light dims up from 0%

1 constant touch when light is ON = Light dims up/down alternatively

3 touches = Turn ON 100%

PROGRAMMING

4 touches = Cycle color temperature (CCT) value between 2200K-2700K-3000K-3500K-4000K.

Repeat the 4 touches in between each value.

Light will blink to indicate it has switched from a value to the other.

5 touches = Set to dim-to-warm mode (3000K to 2200K or 2700K to 2200K)

Repeat the 5 touches in between each value

