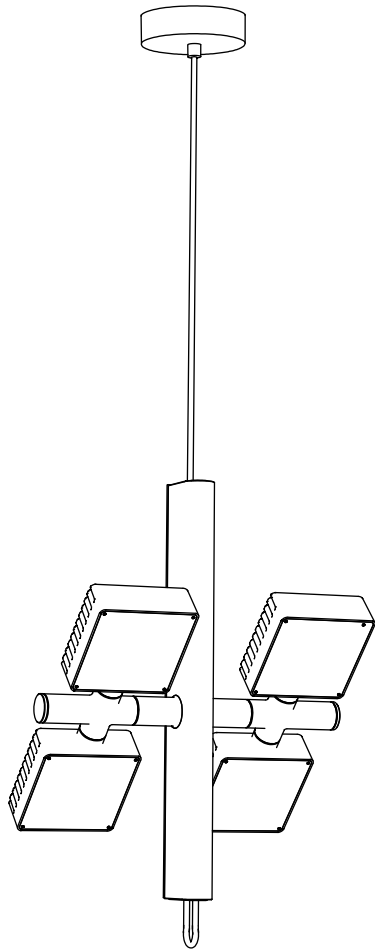


DORVAL ATELIER



Handle luminaire
with care.

Never support by
the bottom loop.

lambert&fils



- Please read entire manual before beginning to install
- To be installed by an electrician to an electrical box
- LED may only be changed by Lambert & Fils or other authorized personnel
- Use appropriate screws where necessary
- Use appropriate anchors and ensure your electrical box can hold the weight of the luminaire.
- Wear enclosed gloves when handling lamp
- Handle materials with care. Please consult lamp maintenance sheet on our web site



**WEAR PROVIDED GLOVES
WHEN HANDLING LUMINAIRE**

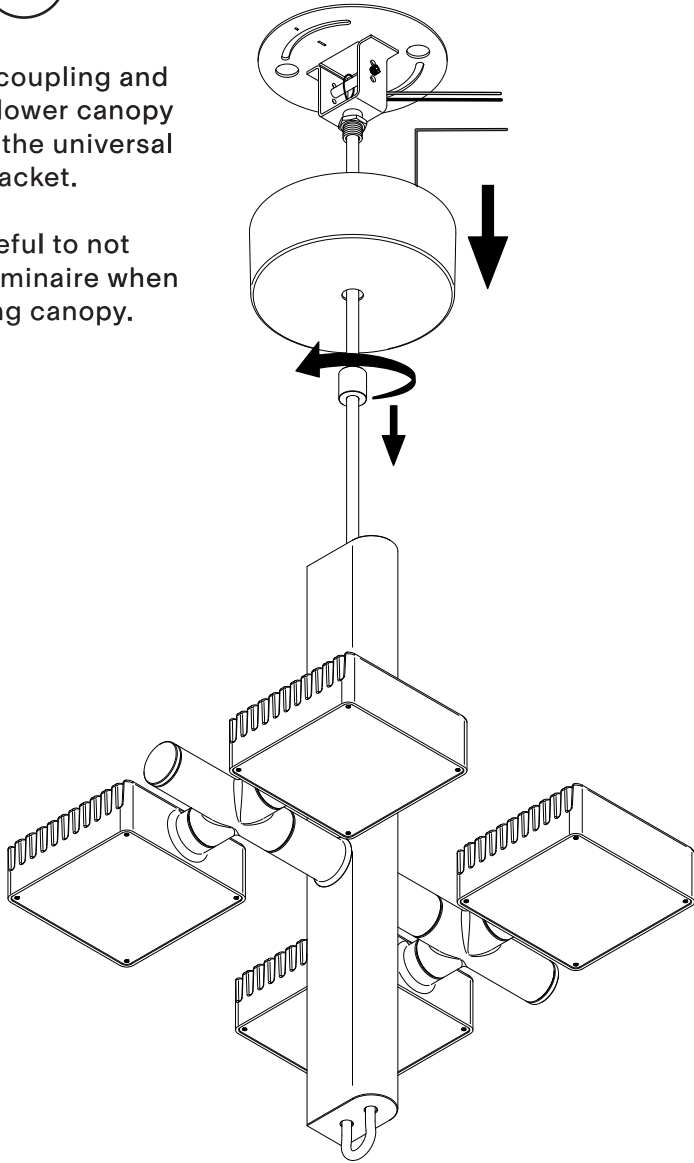


**WE RECOMEND KEEPING LUMINAIRE IN PROTECTIVE
WRAPPING UNTIL INSTALLATION IS COMPLETE**

1

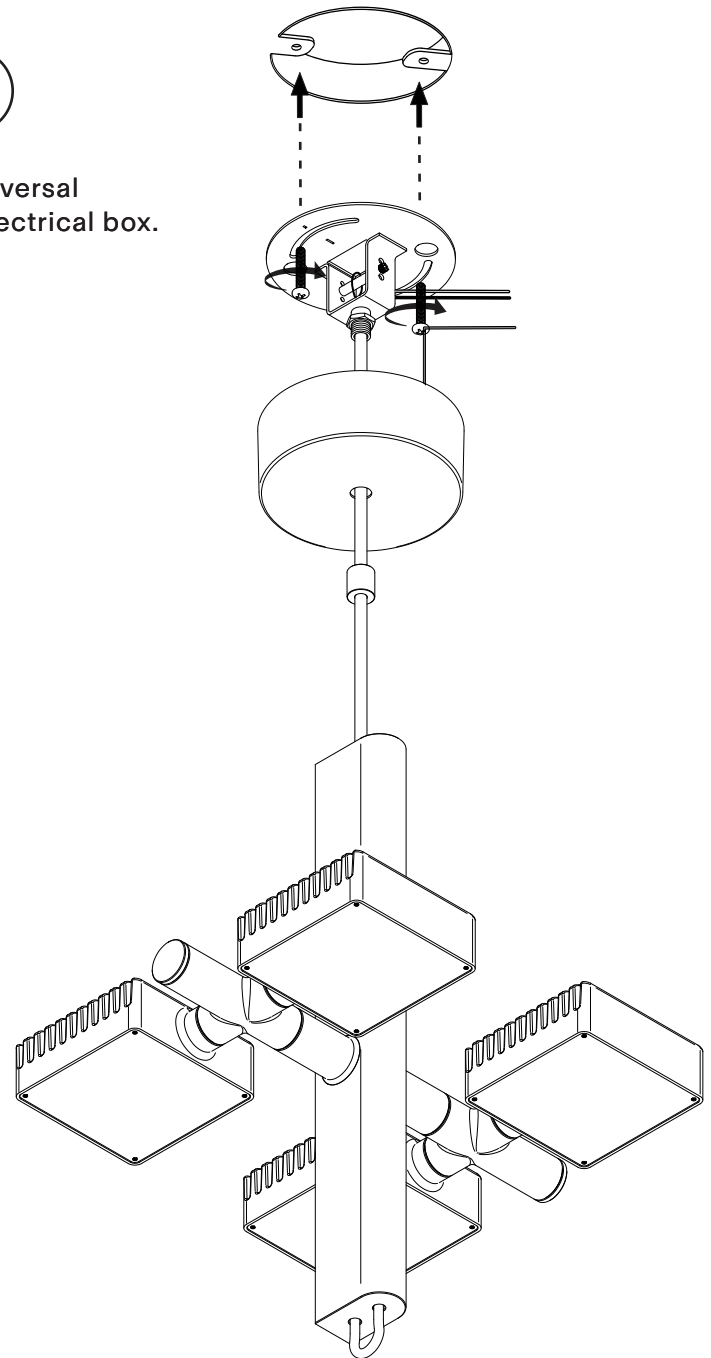
Unscrew coupling and carefully lower canopy to access the universal bracket.

Be careful to not scratch luminaire when lowering canopy.



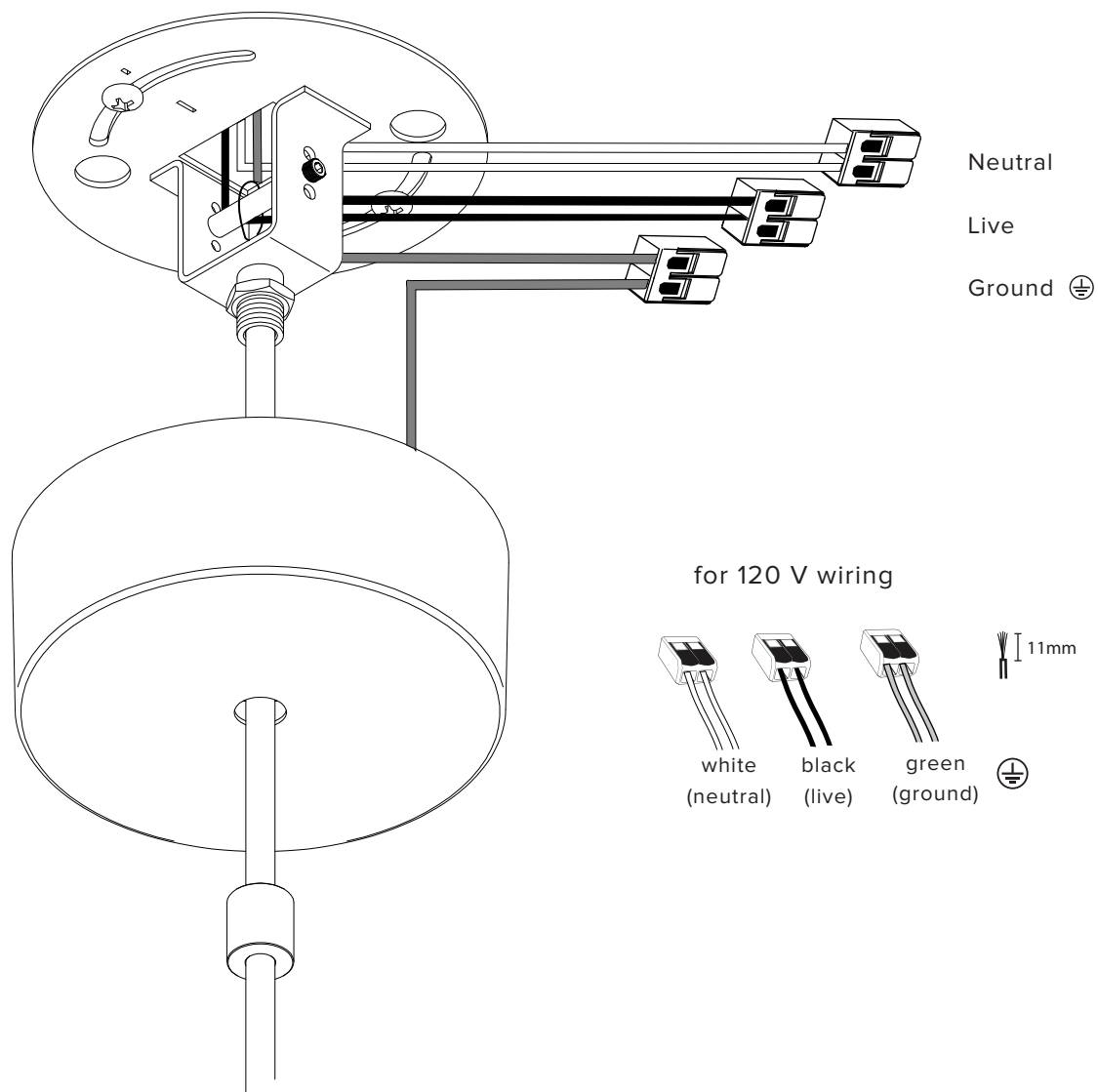
2

Secure universal bracket to the electrical box.



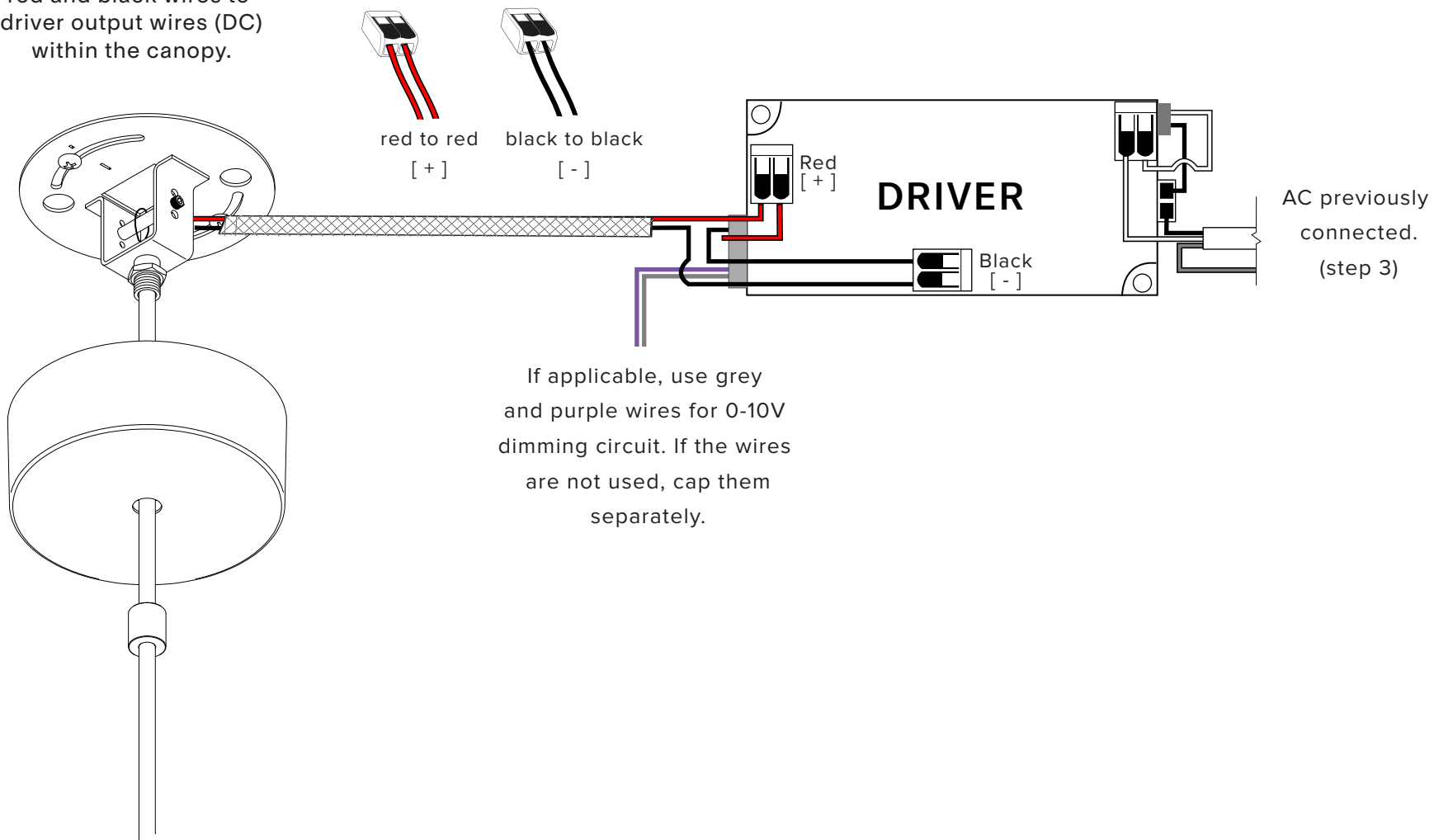
3

Make Line/Main voltage connection to electrical box (AC)



4

Connect luminaire's red and black wires to driver output wires (DC) within the canopy.

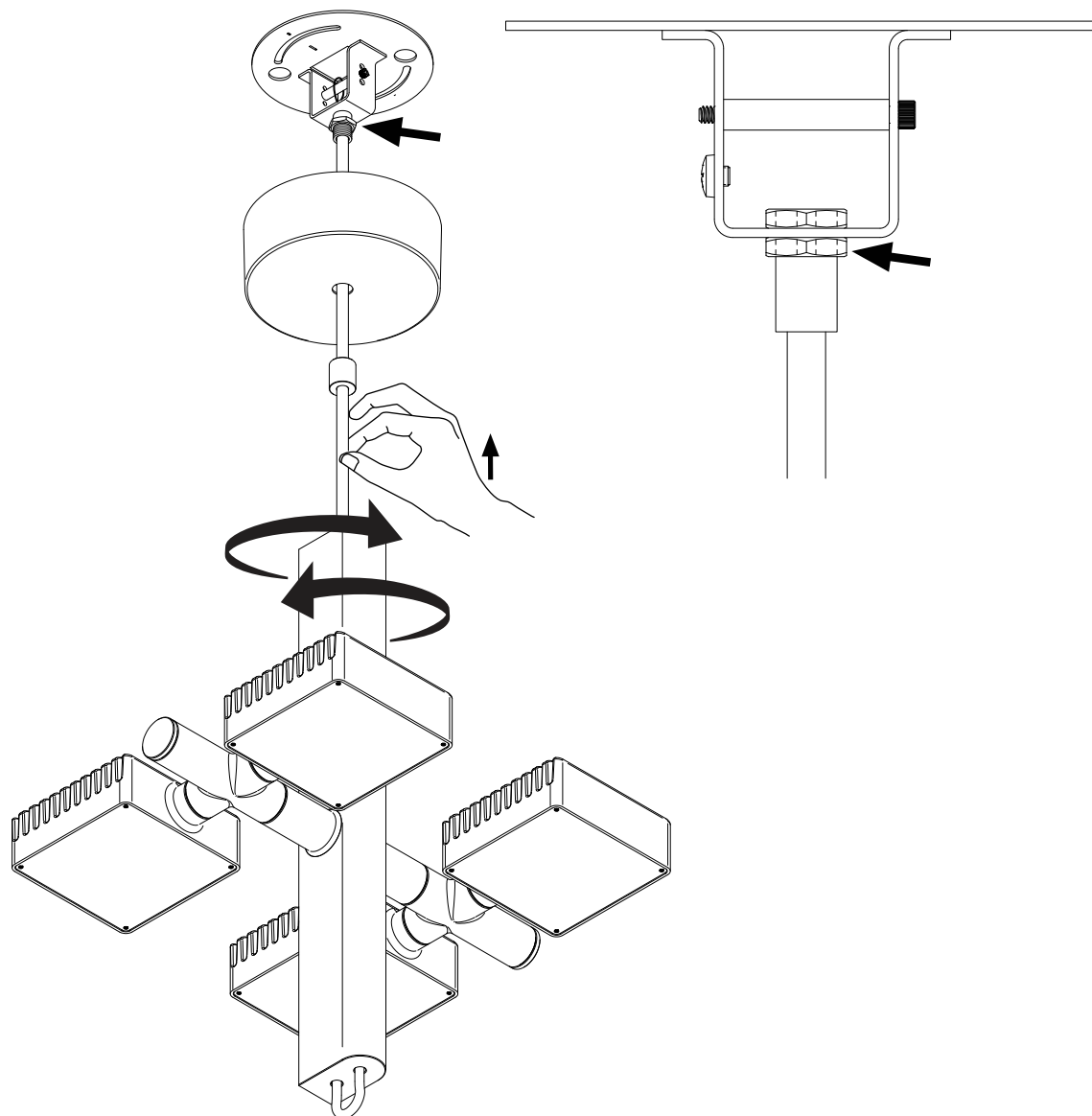


5

Determined desired orientation of the luminaire.

Losen bottom hex nut while slightly pulling upwards on the ceiling rod, position luminaire, then retighten the hex nut tightly.

Luminaire's height is predetermined and can not be adjusted at this point.



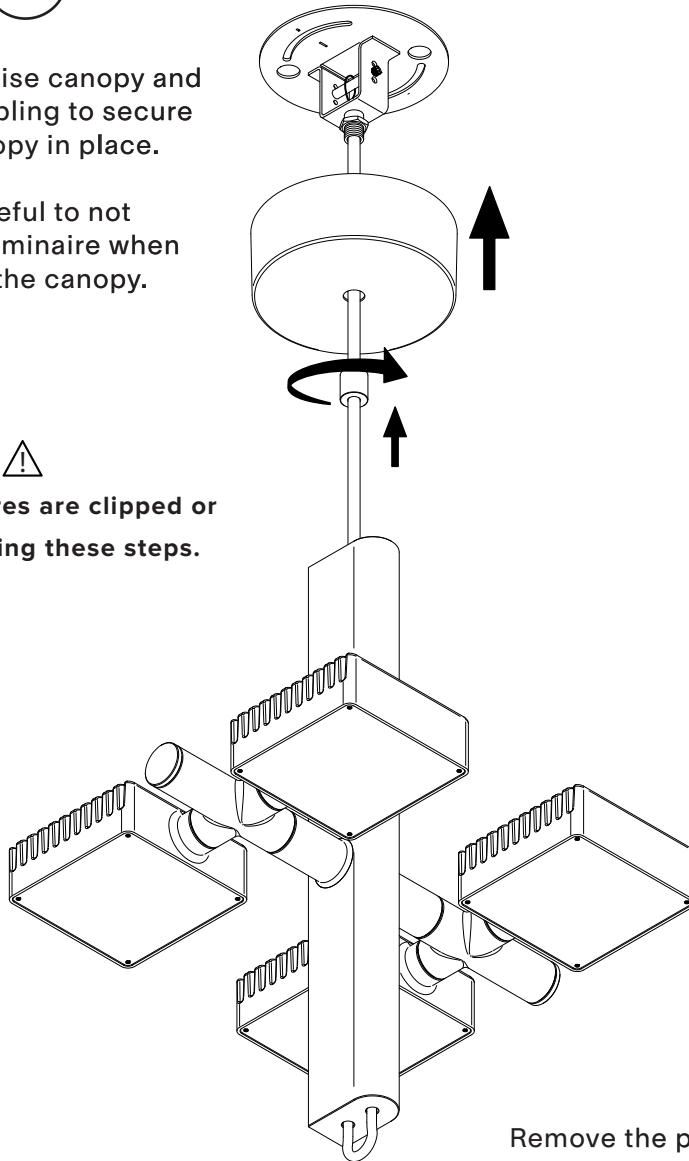
6

Carefully raise canopy and screw coupling to secure the canopy in place.

Be careful to not scratch luminaire when raising the canopy.



Ensure no wires are clipped or pinched during these steps.



Remove the protective padding if you have not already done so.