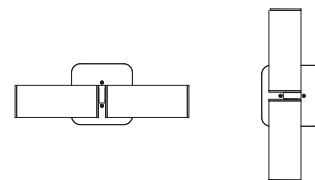
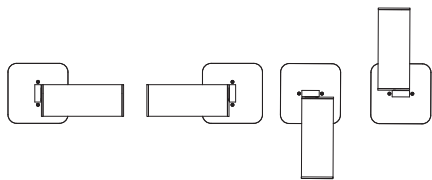
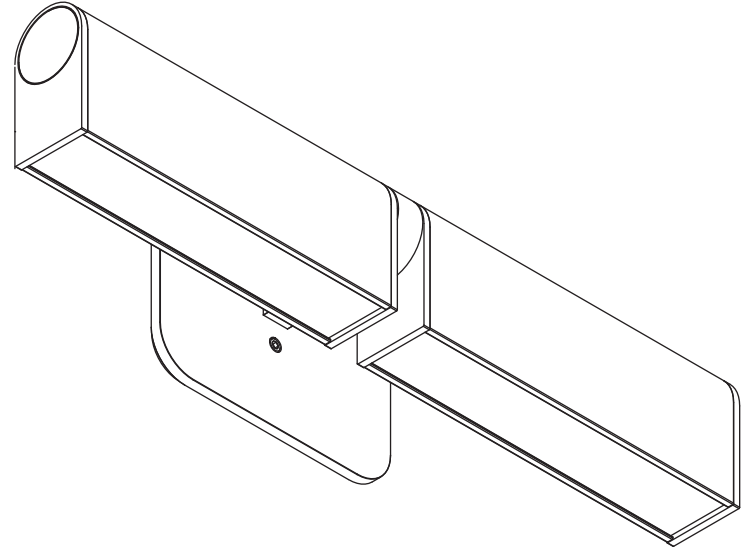
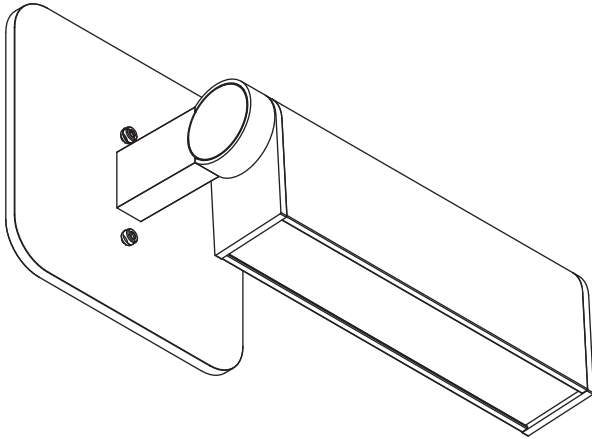


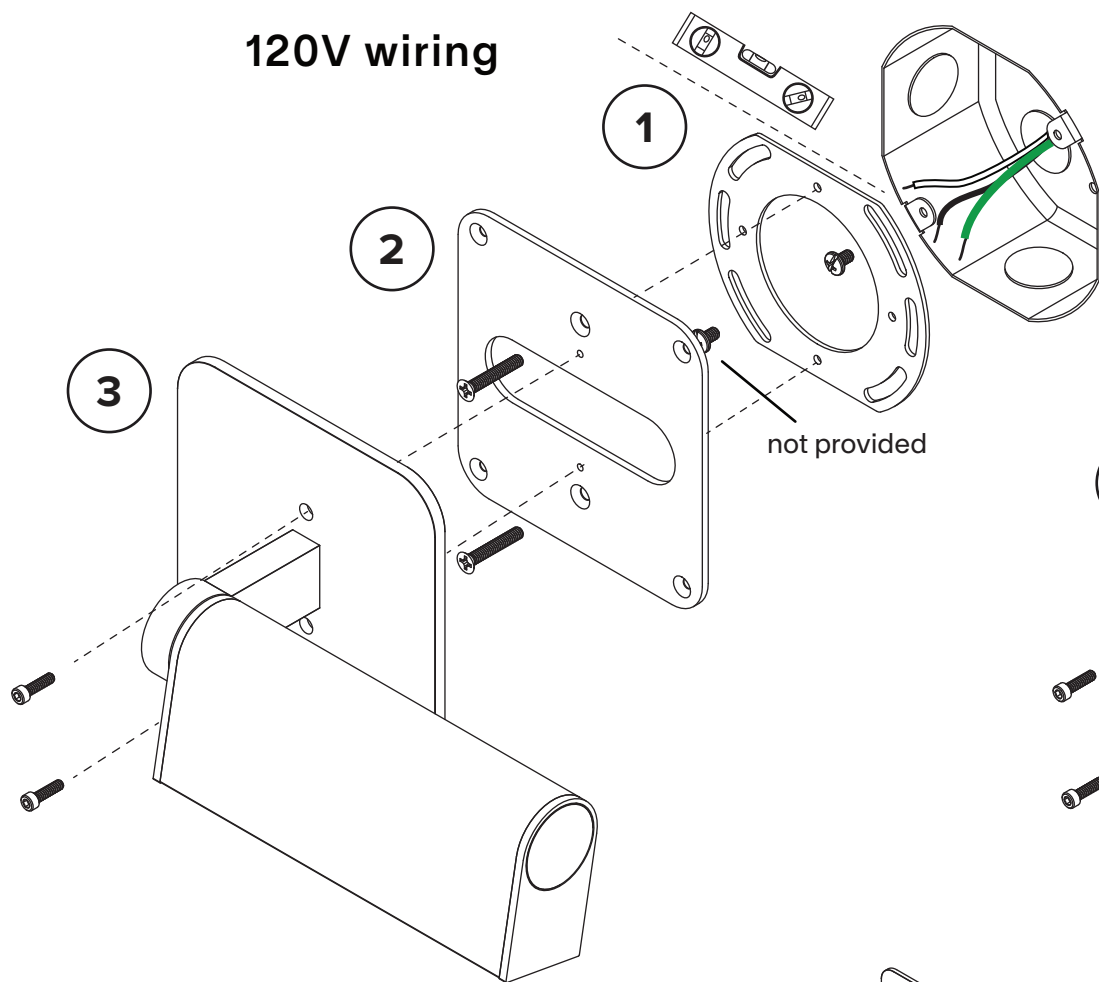
---

IPOLI 01 HARDWIRE  
IPOLI 02 HARDWIRE

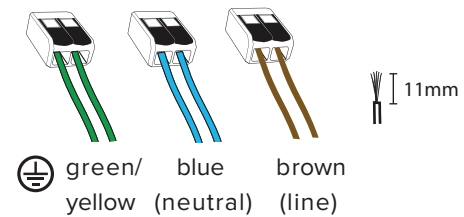
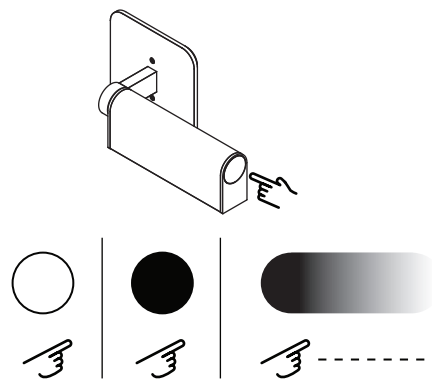
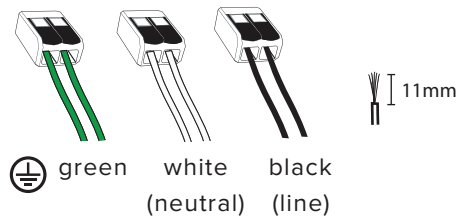
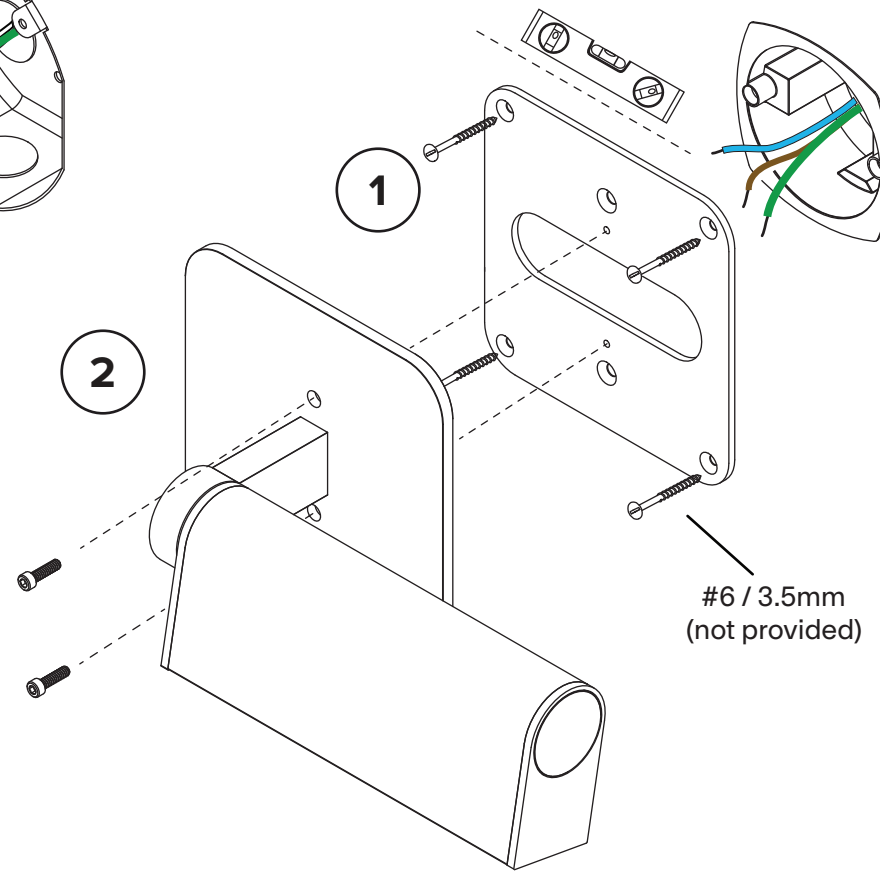
---



## 120V wiring



## 220-240V wiring




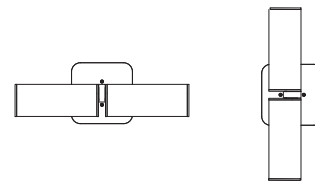
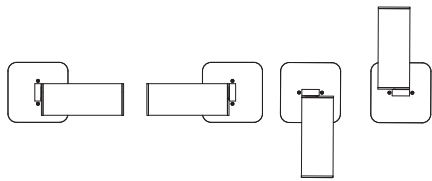
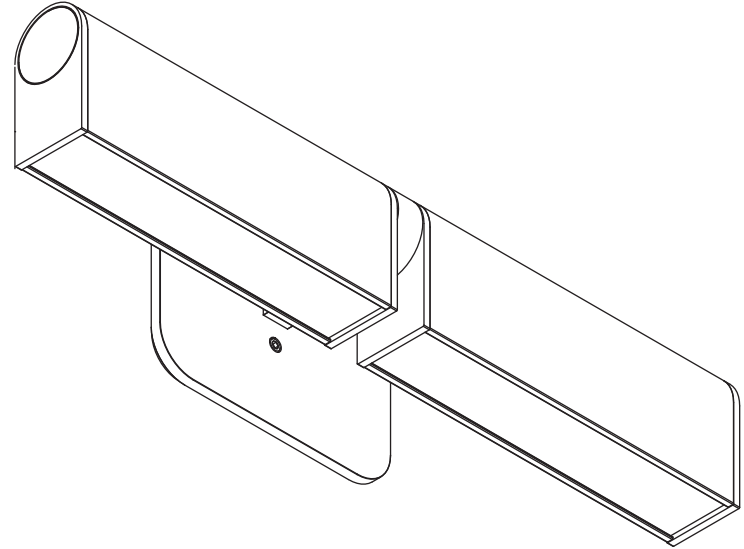
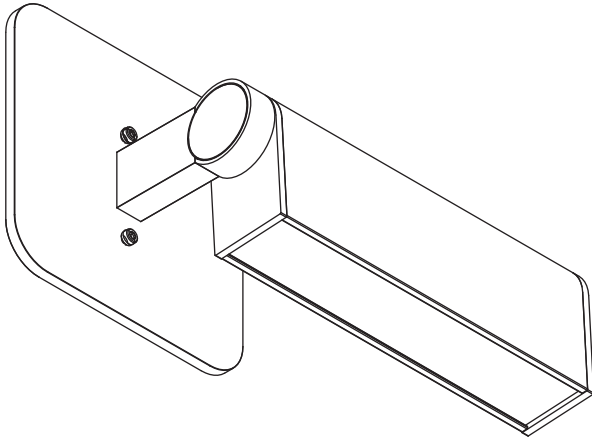
---

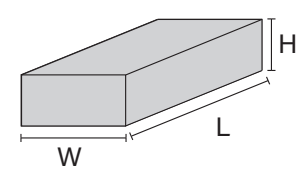
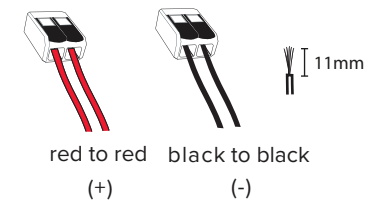
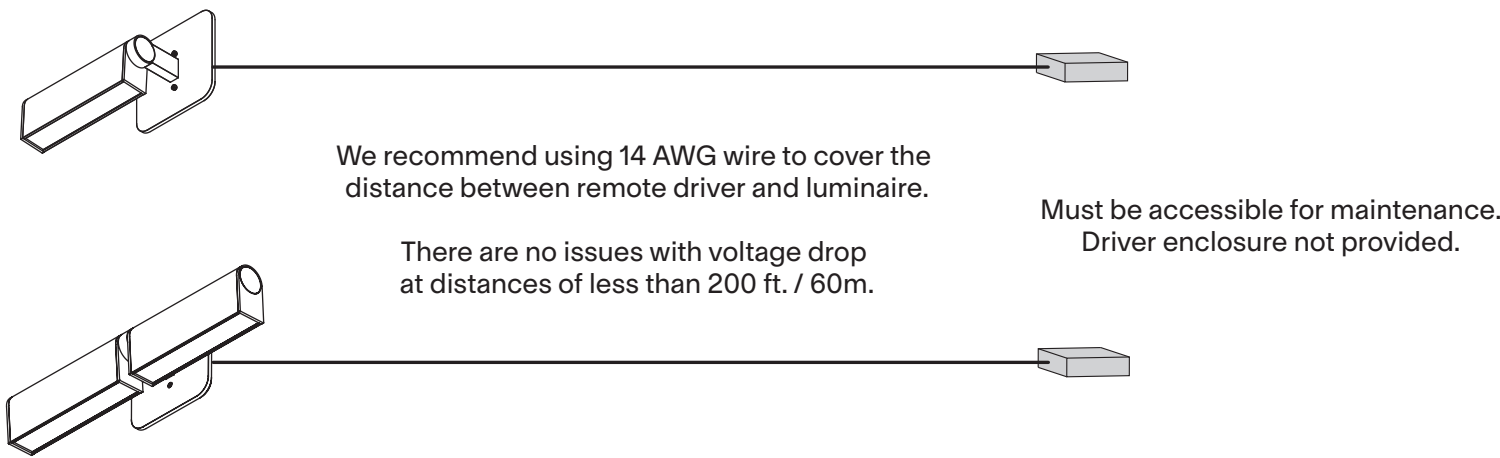
**IPOLI 01 REMOTE DRIVER**  
**IPOLI 02 REMOTE DRIVER**

---



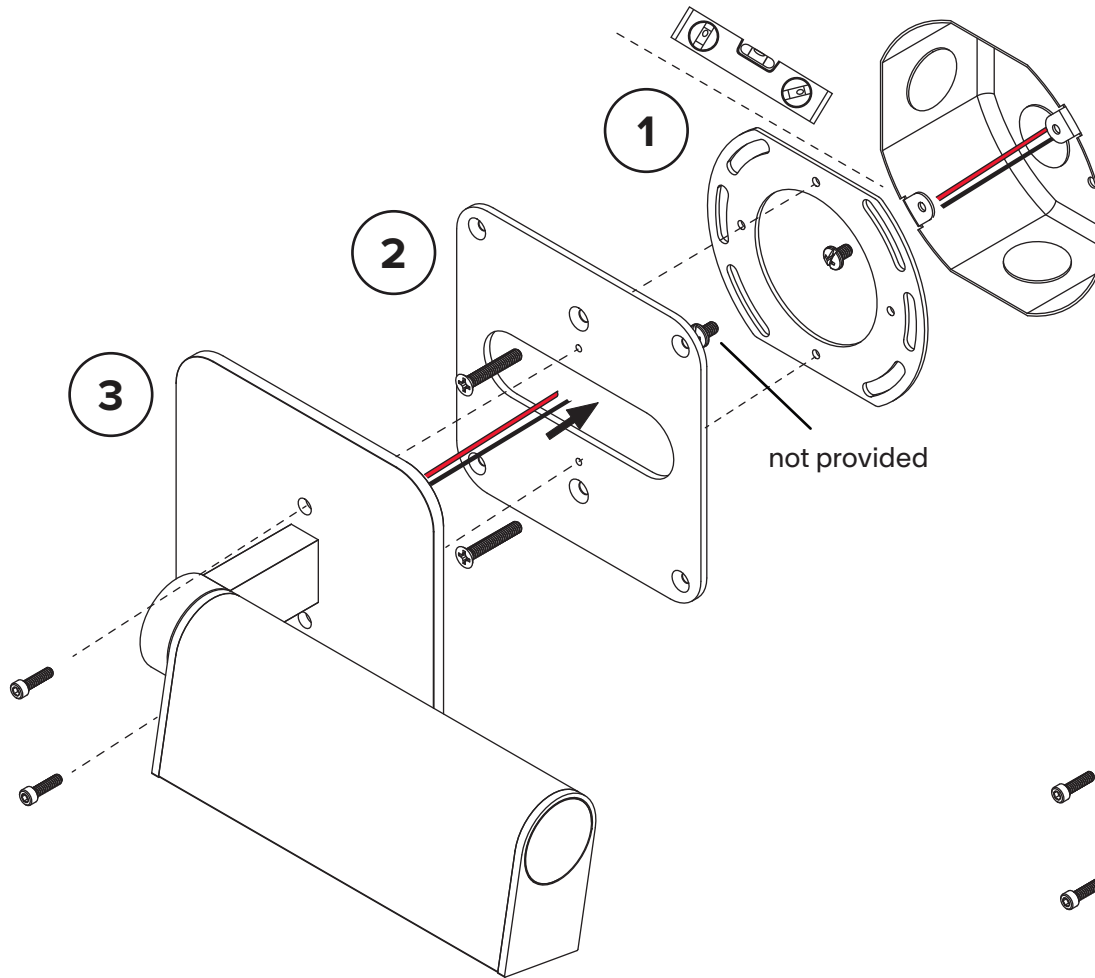
  
**NEVER TURN ON POWER SUPPLY  
UNTIL CONNECTIONS AND  
INSTALLATION ARE COMPLETED.  
DOING OTHERWISE COULD BE  
HARMFUL TO YOUR LUMINAIRE.**



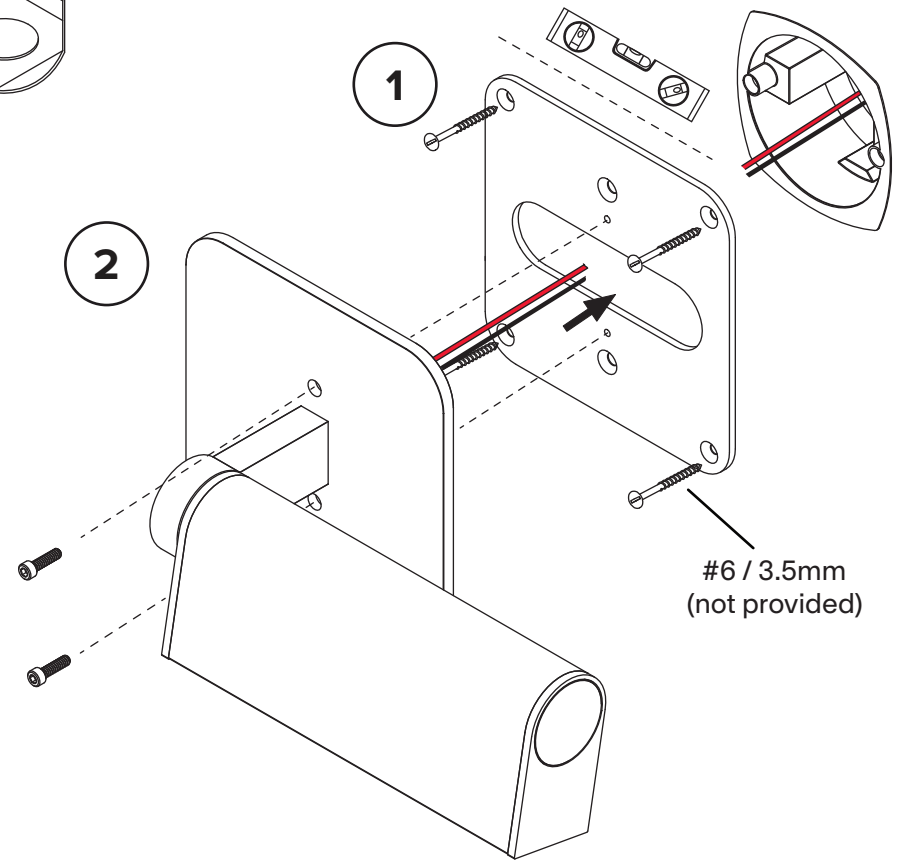


	<b>UL</b> phase dimming / 0-10V	<b>CE</b> phase dimming	<b>CE</b> DALI dimming
<b>LENGTH</b>	3.9" / 9.8 cm	4.0" / 10.2 cm	4.7" / 12.0 cm
<b>WIDTH</b>	1.0" / 2.6 cm	2.0" / 5.1 cm	2.0" / 5.1 cm
<b>HEIGHT</b>	0.9" / 2.2 cm	1.2" / 3.0 cm	1.2" / 3.0 cm

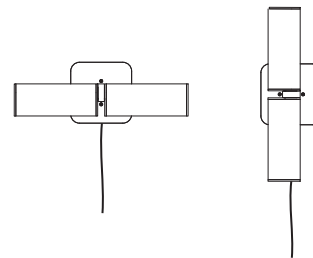
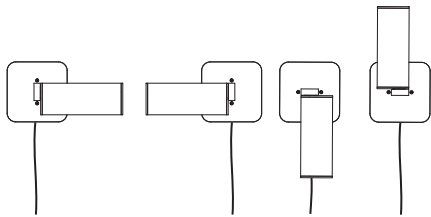
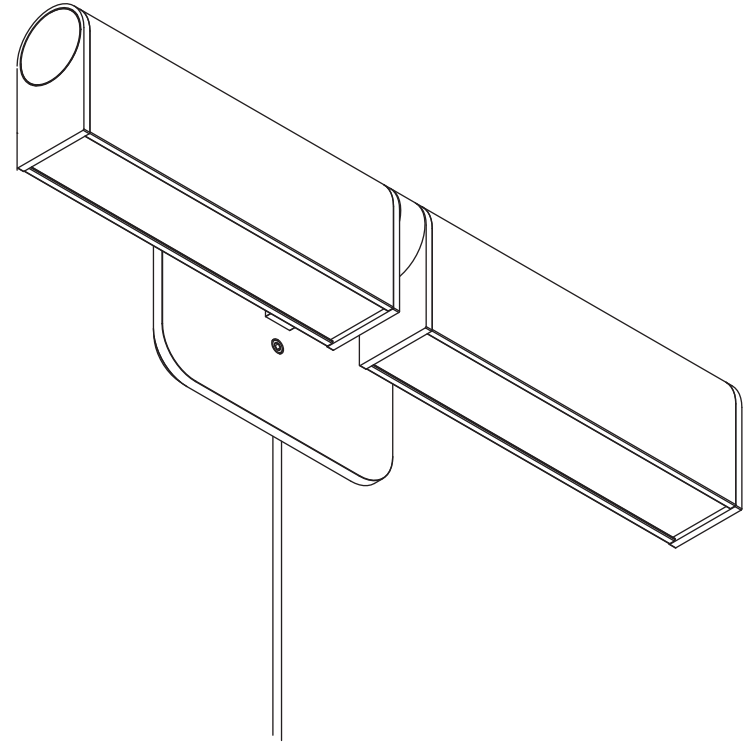
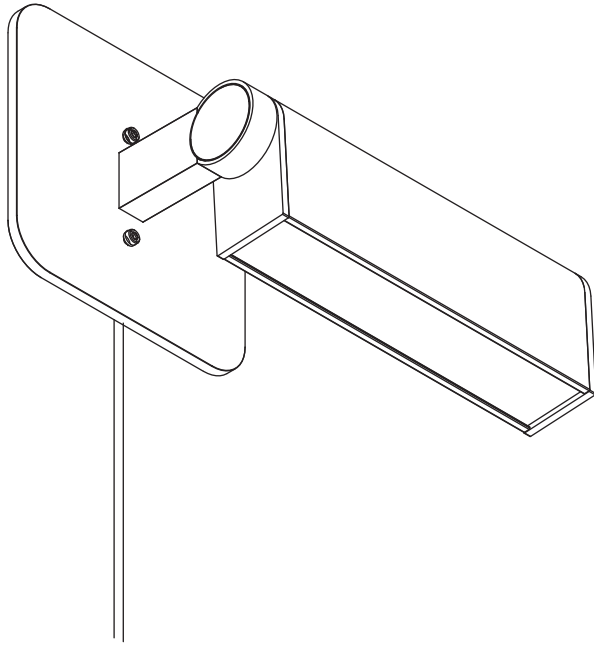
## 120V wiring



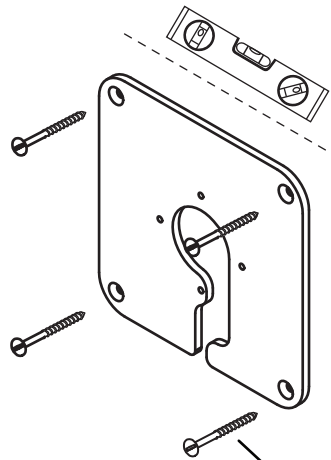
## 220-240V wiring



IPOLI 01 SOFTWARE  
IPOLI 02 SOFTWARE

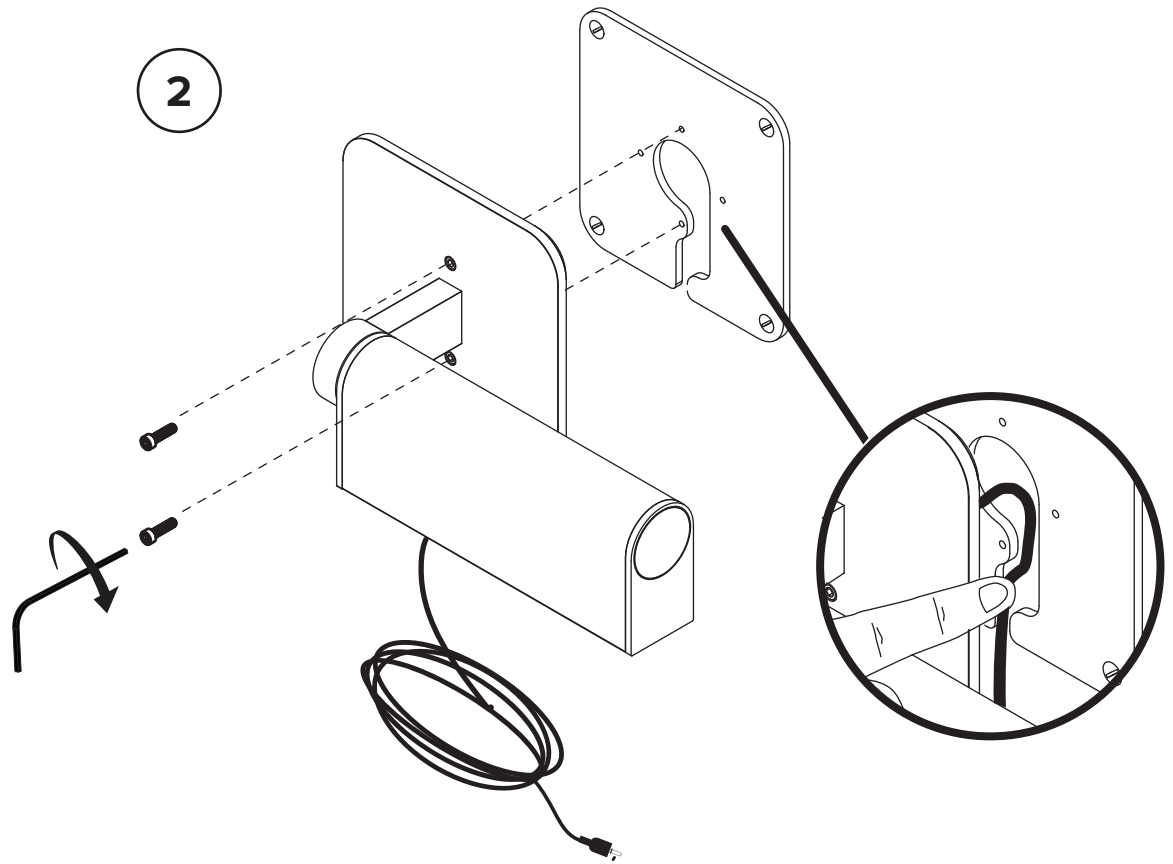


1

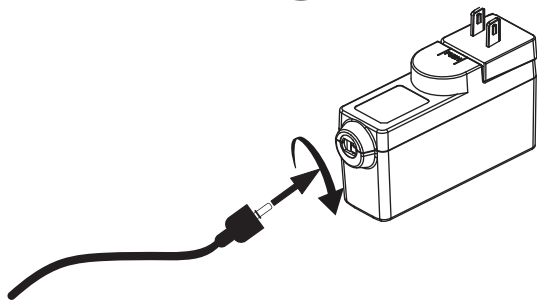


#6 / 3.5mm  
(not provided)

2



3



4

