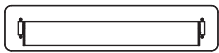
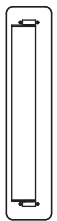
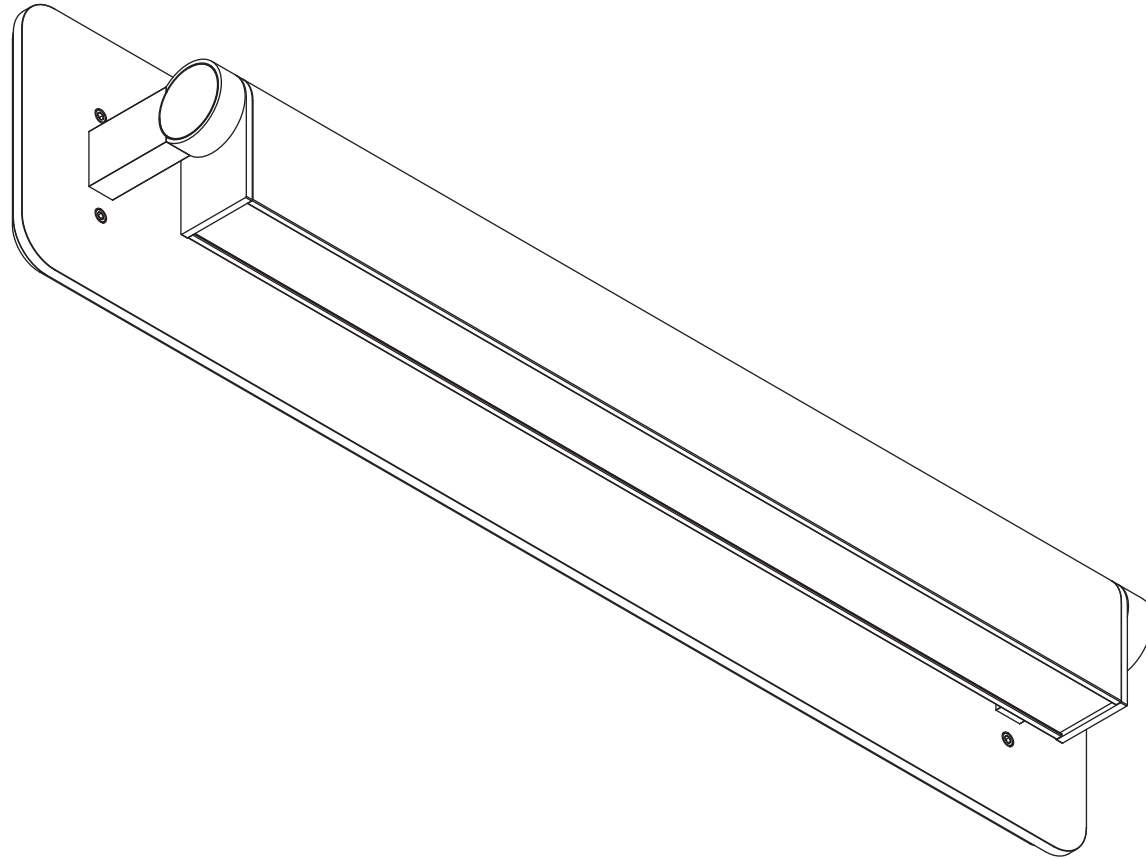
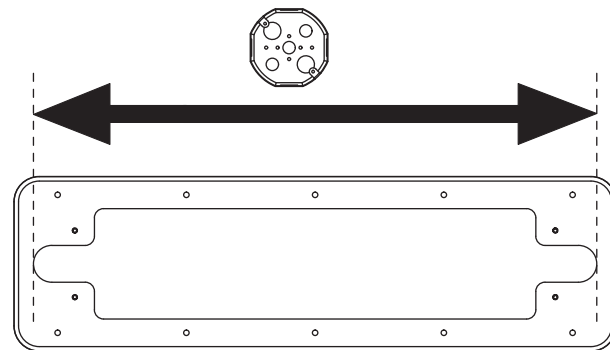
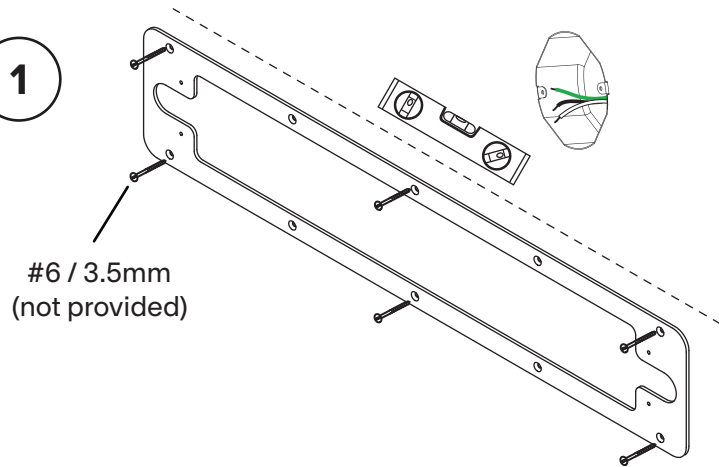

IPOLI 03C / 03D HARDWIRE



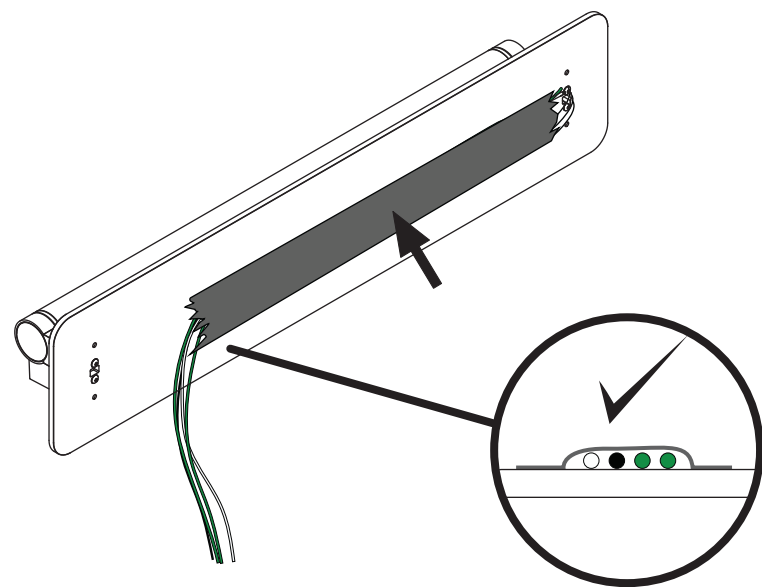
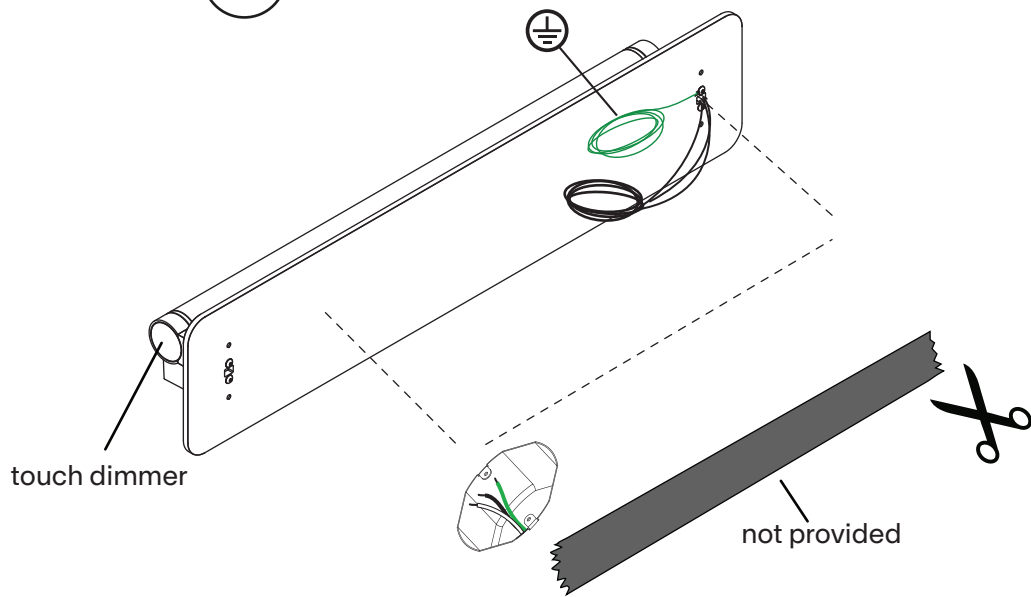
NEVER TURN ON POWER SUPPLY
UNTIL CONNECTIONS AND
INSTALLATION ARE COMPLETED.
DOING OTHERWISE COULD BE
HARMFUL TO YOUR LUMINAIRE.



1




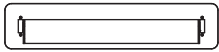
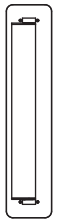
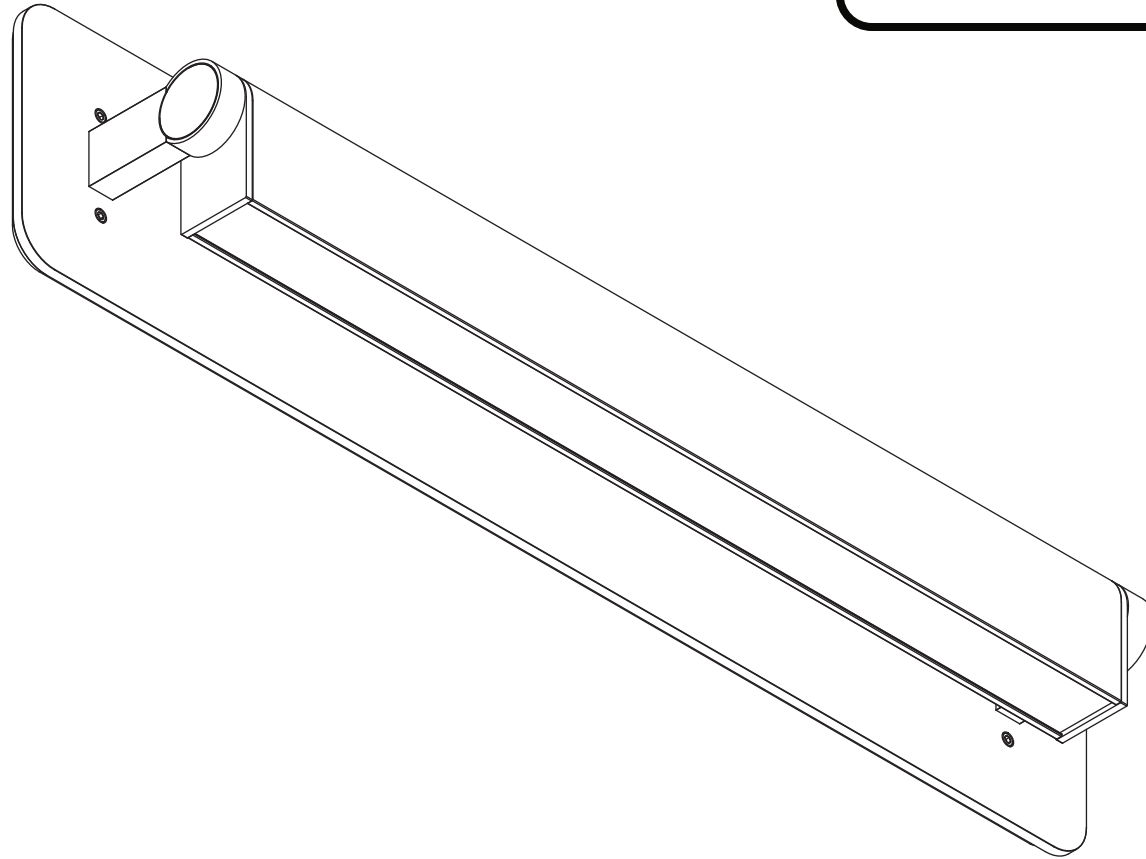
2



IPOLI 03C / 03D REMOTE DRIVER



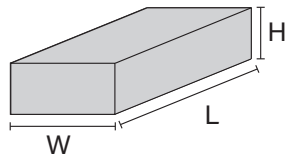
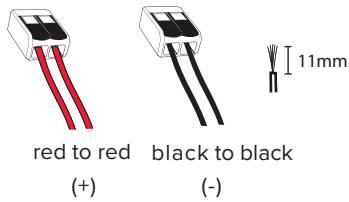
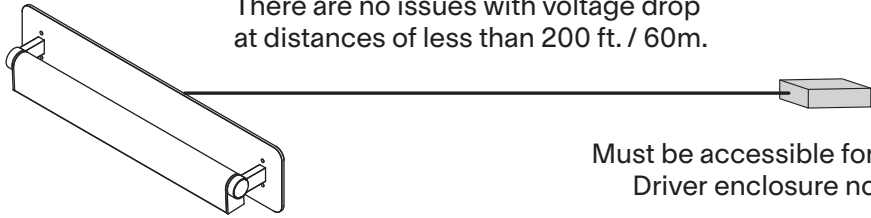

NEVER TURN ON POWER SUPPLY
UNTIL CONNECTIONS AND
INSTALLATION ARE COMPLETED.
DOING OTHERWISE COULD BE
HARMFUL TO YOUR LUMINAIRE.



1

We recommend using 14 AWG wire to cover the distance between remote driver and luminaire.

There are no issues with voltage drop at distances of less than 200 ft. / 60m.



UL
phase dimming / 0-10V

CE
phase dimming

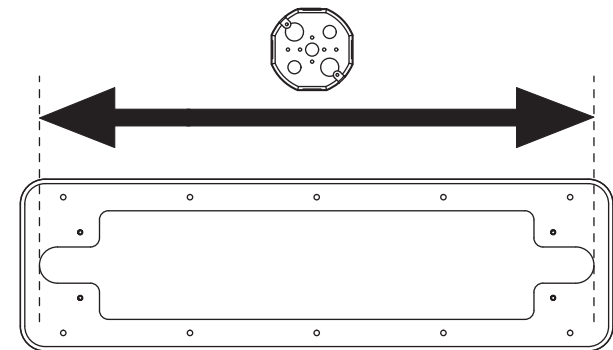
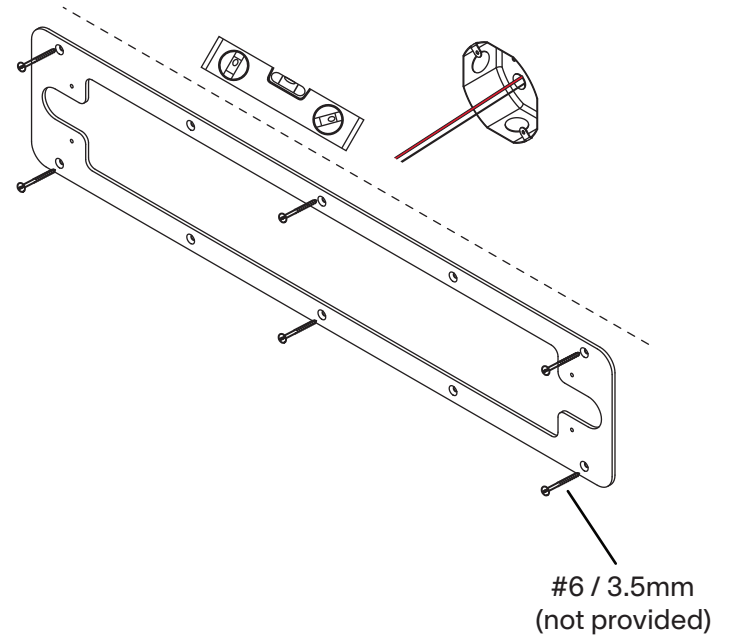
CE
DALI dimming

LENGTH 4.0" / 10.3 cm
WIDTH 1.0" / 2.6 cm
HEIGHT 0.9" / 2.4 cm

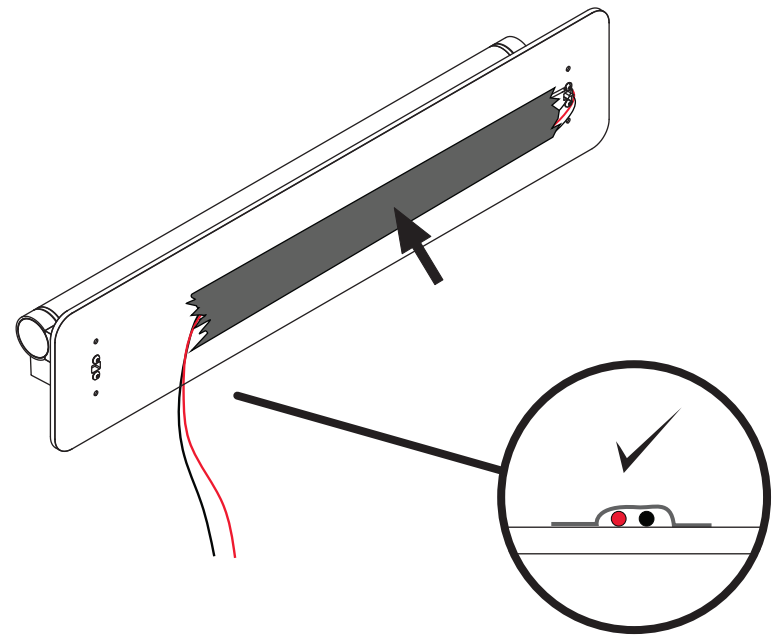
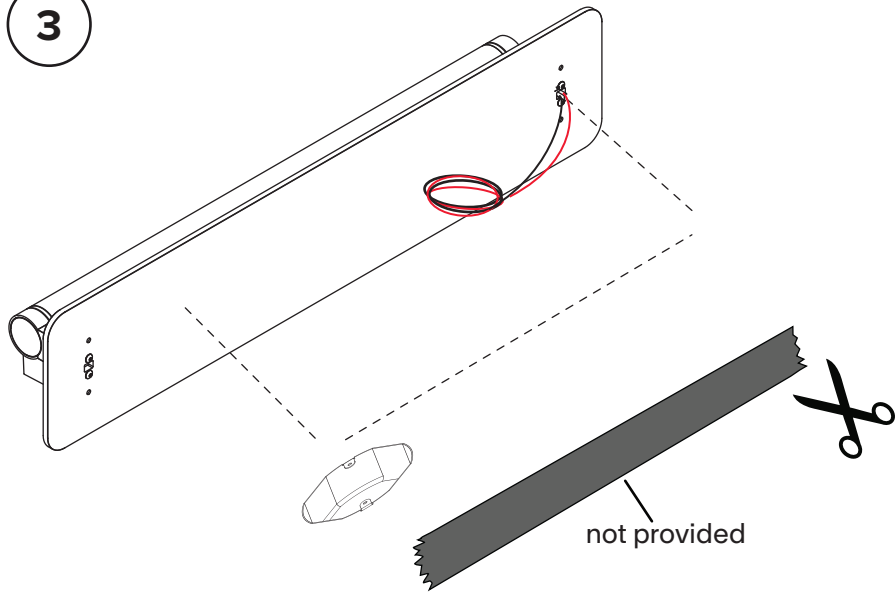
4.0" / 10.2 cm
2.0" / 5.1 cm
1.2" / 3.0 cm

4.7" / 12.0 cm
2.0" / 5.1 cm
1.2" / 3.0 cm

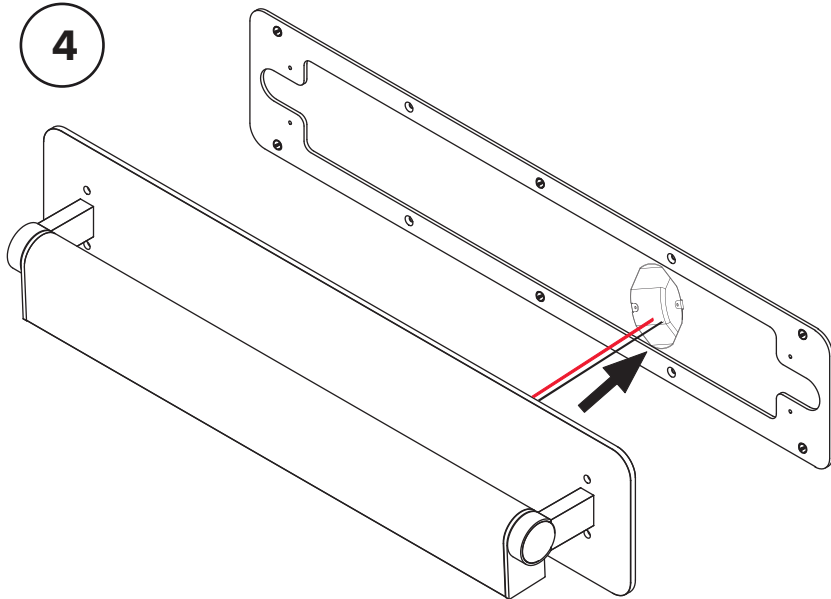
2



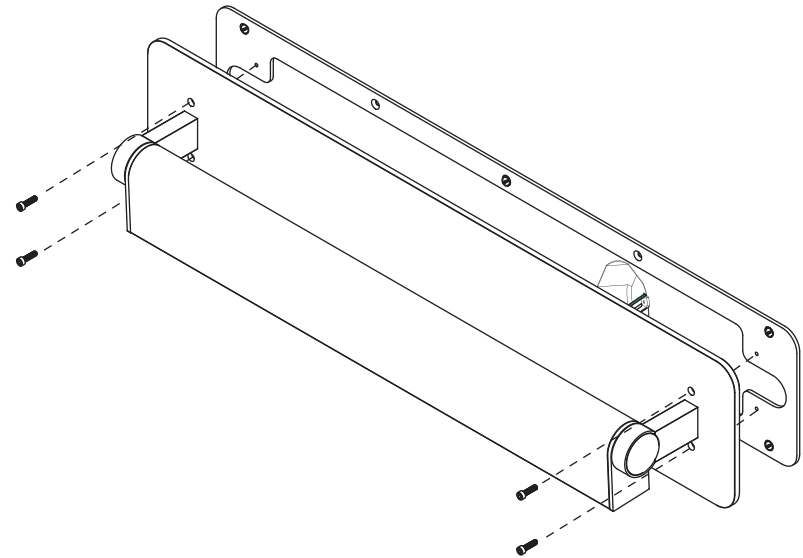
3



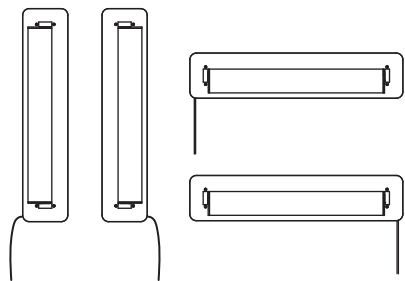
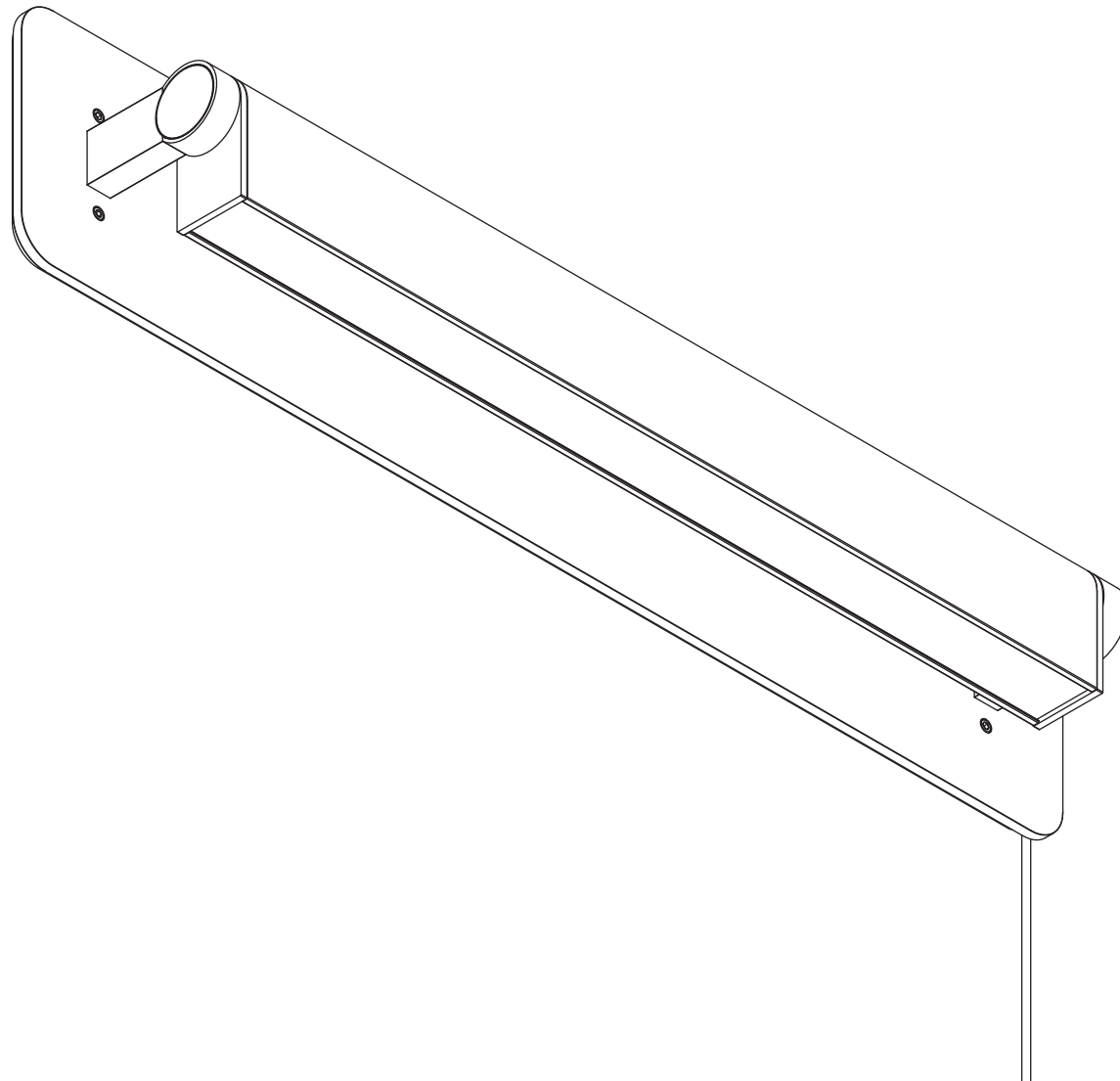
4

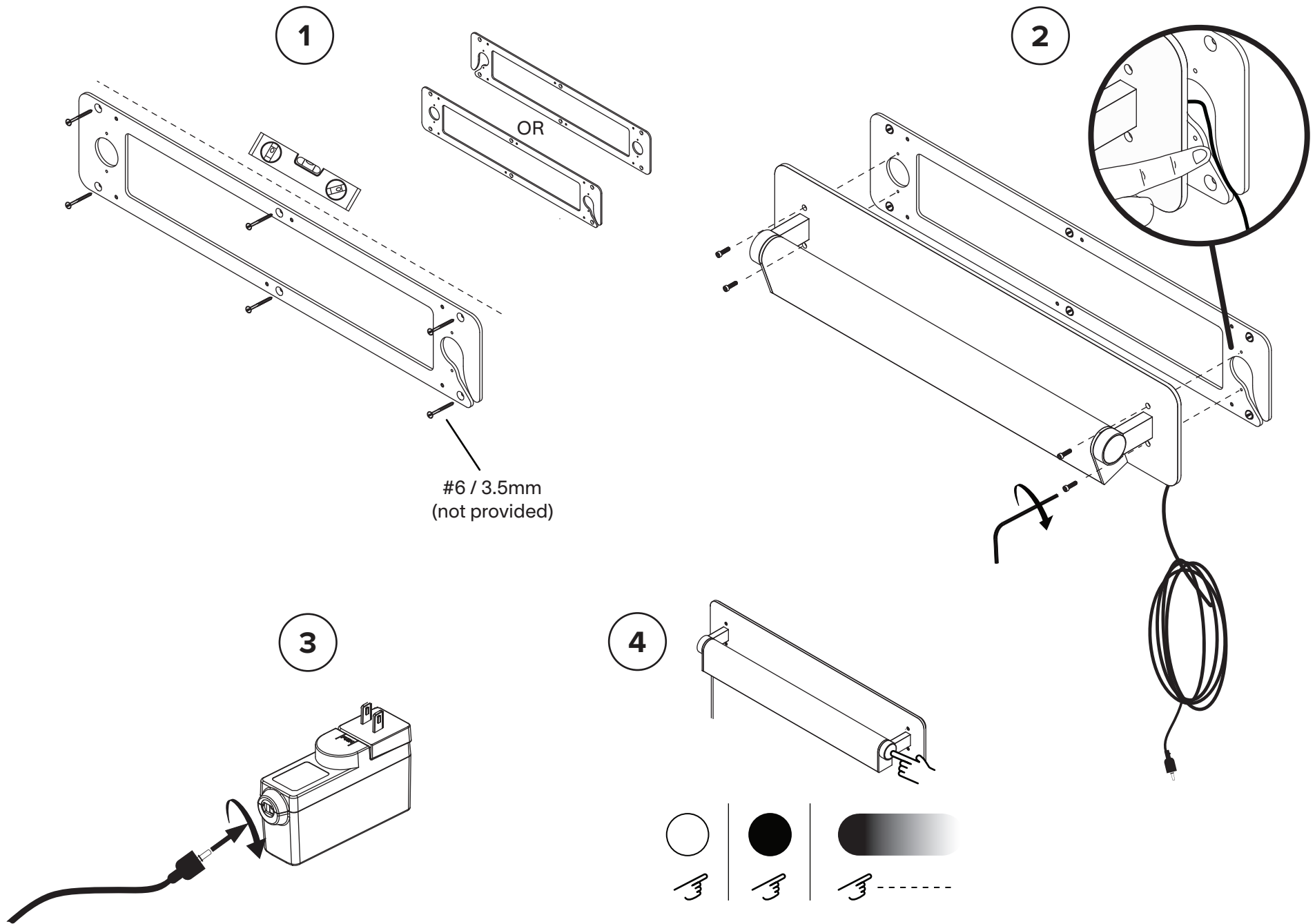


5

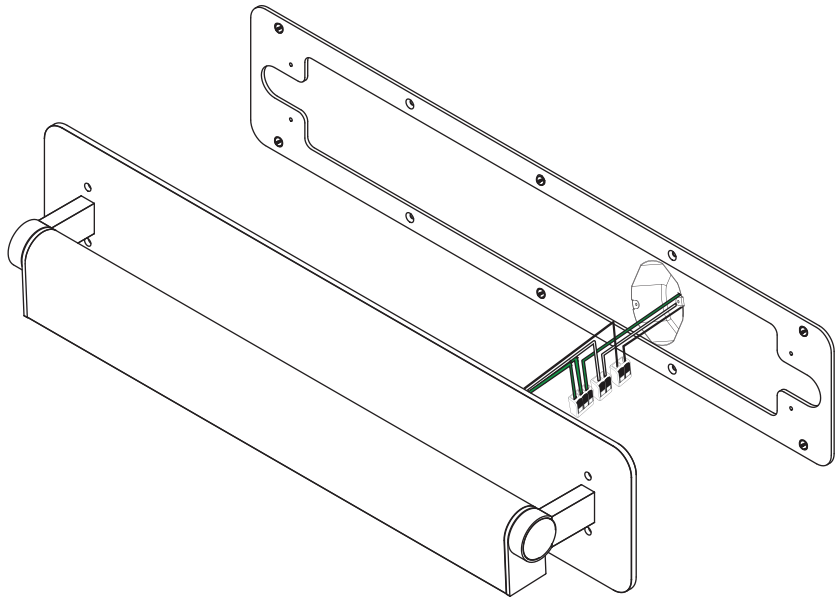


IPOLI 03C / 03D SOFTWARE

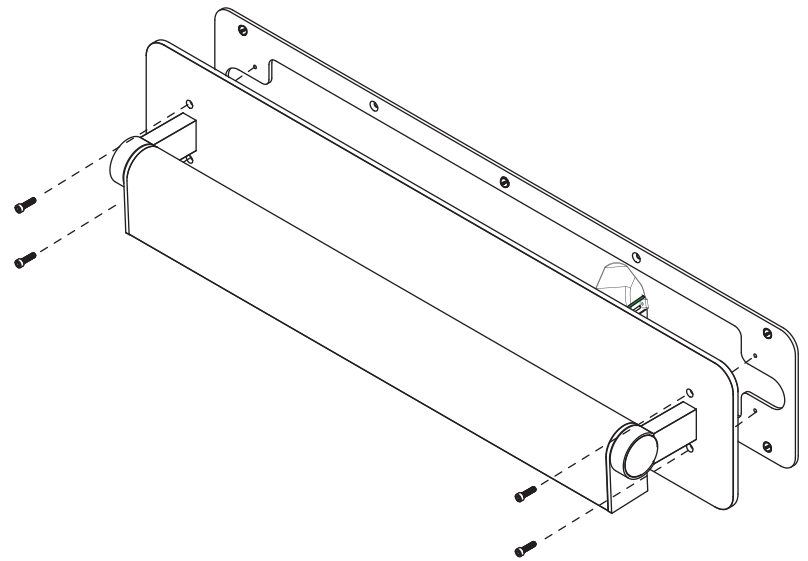




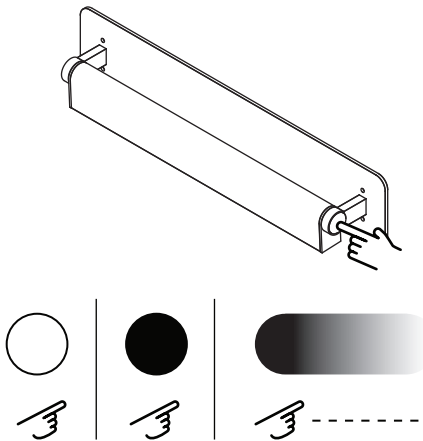
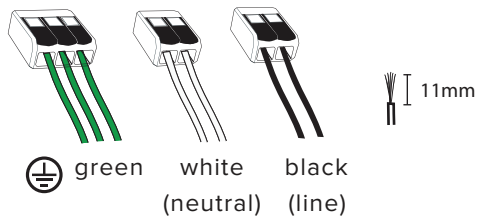
3



4



for 120 V wiring



for 220-240V wiring

