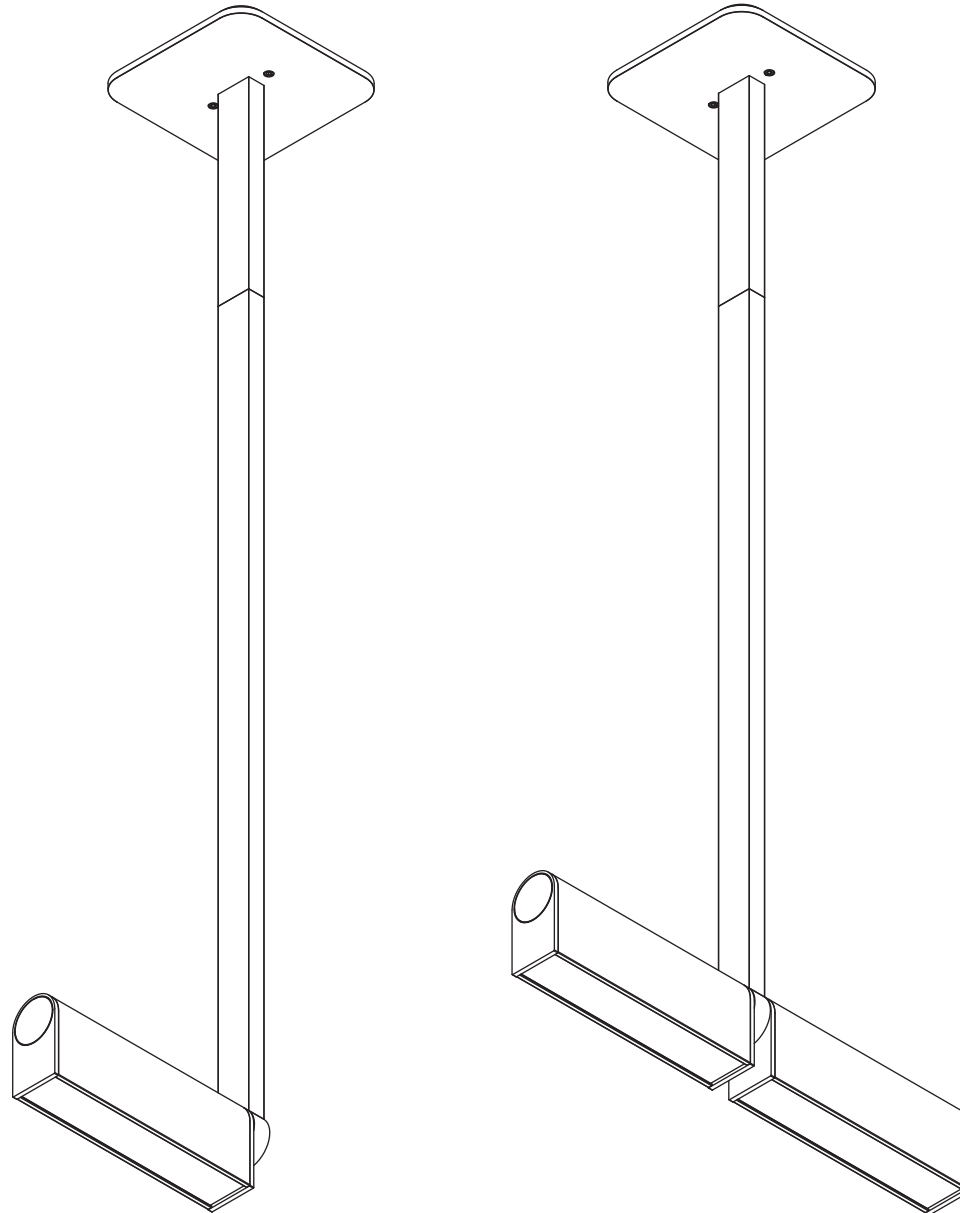

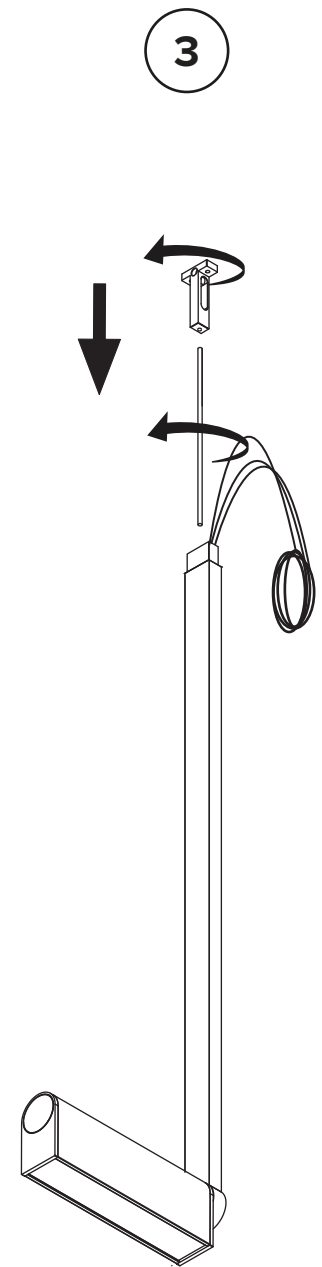
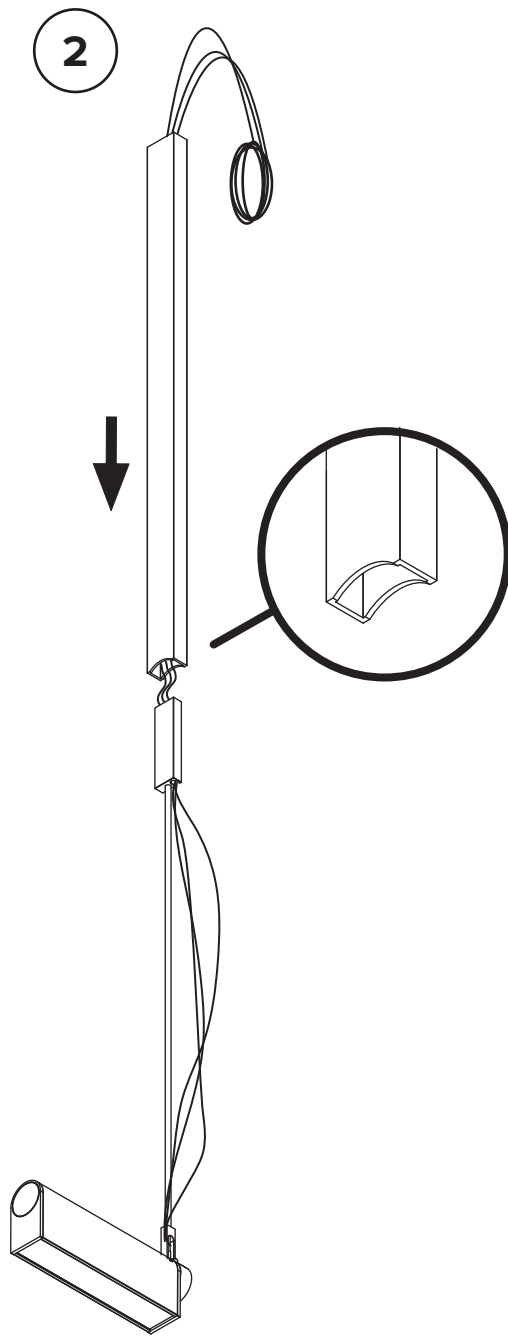
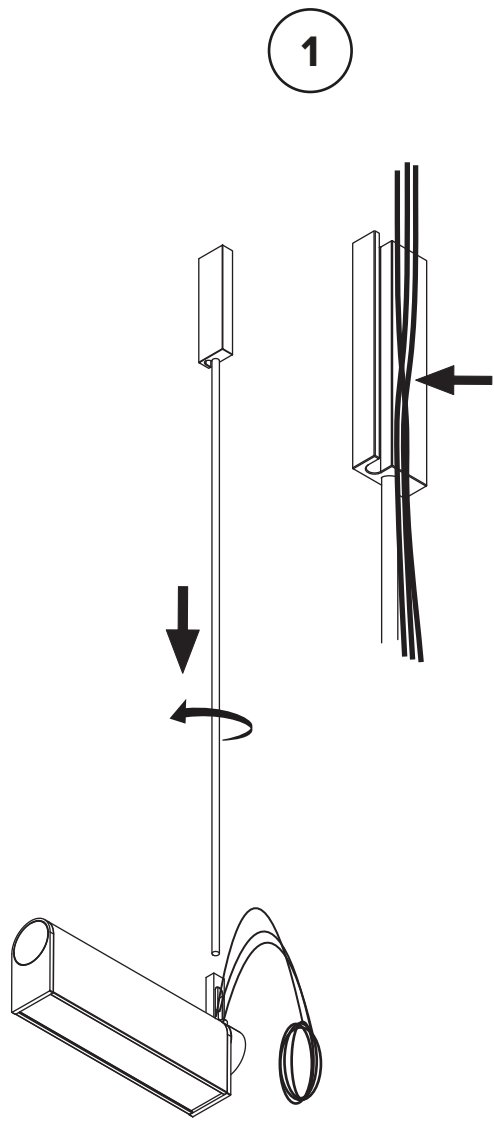
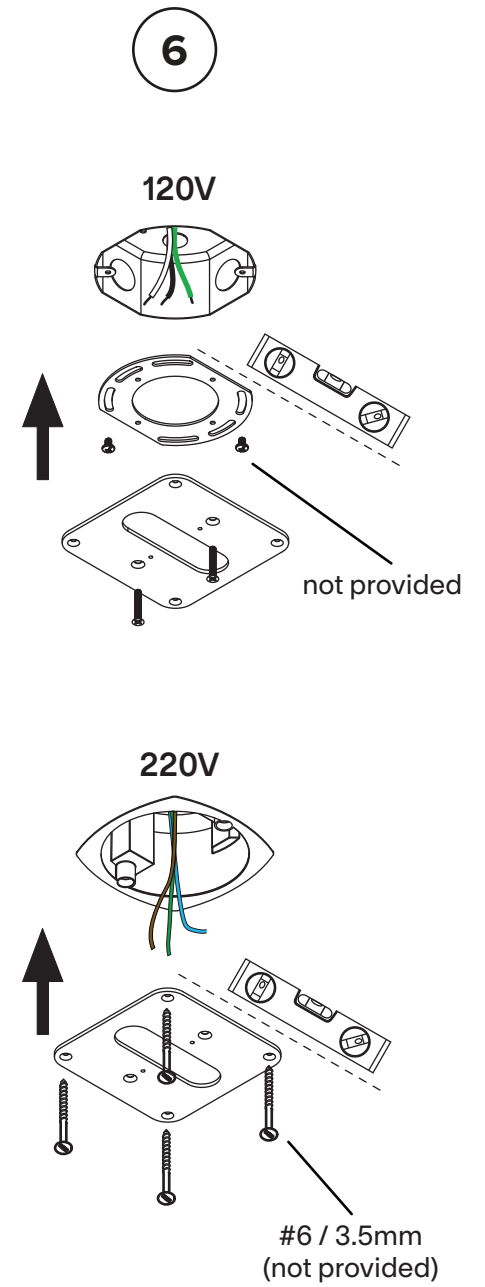
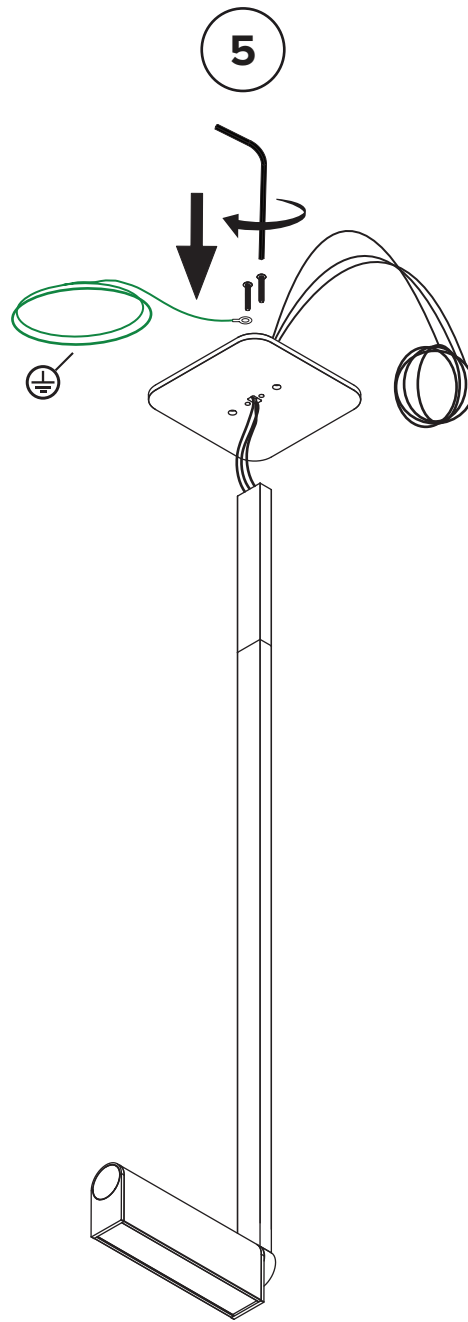
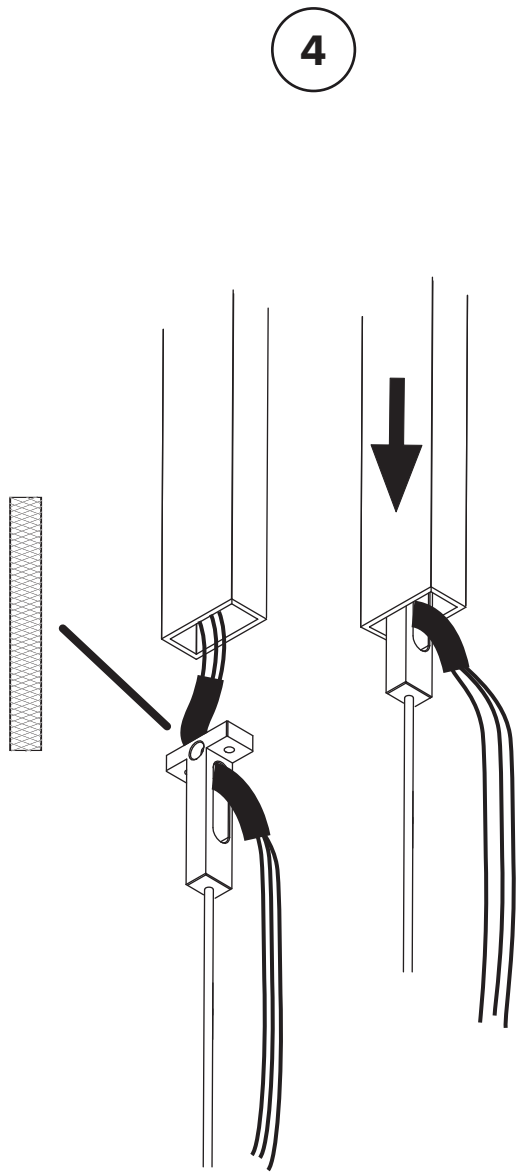

IPOLI 04 HARDWIRE
IPOLI 05A / 05B HARDWIRE

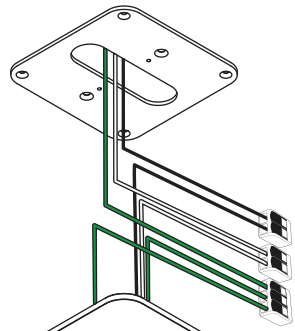



**NEVER TURN ON POWER SUPPLY
UNTIL CONNECTIONS AND
INSTALLATION ARE COMPLETED.
DOING OTHERWISE COULD BE
HARMFUL TO YOUR LUMINAIRE.**

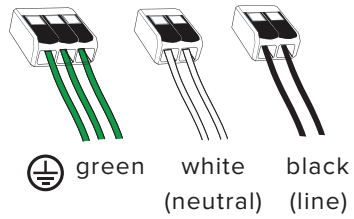




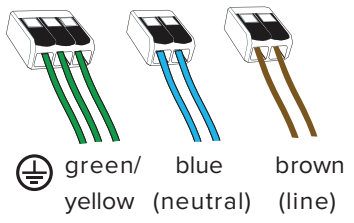
7



for 120 V wiring

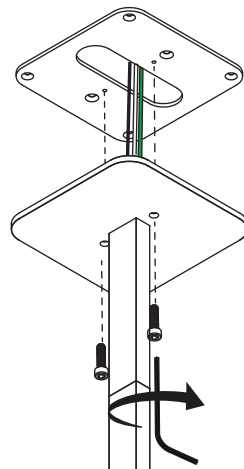


for 220-240V wiring

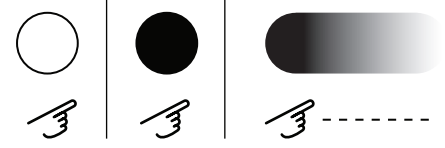
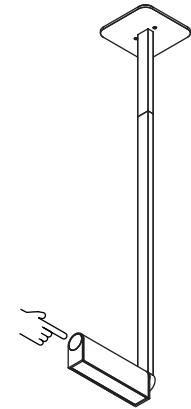


11mm

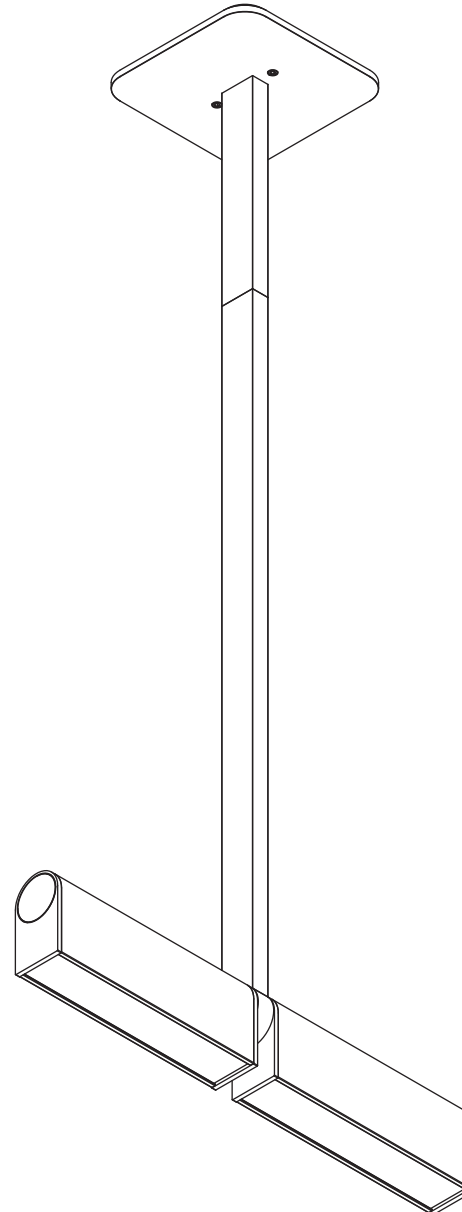
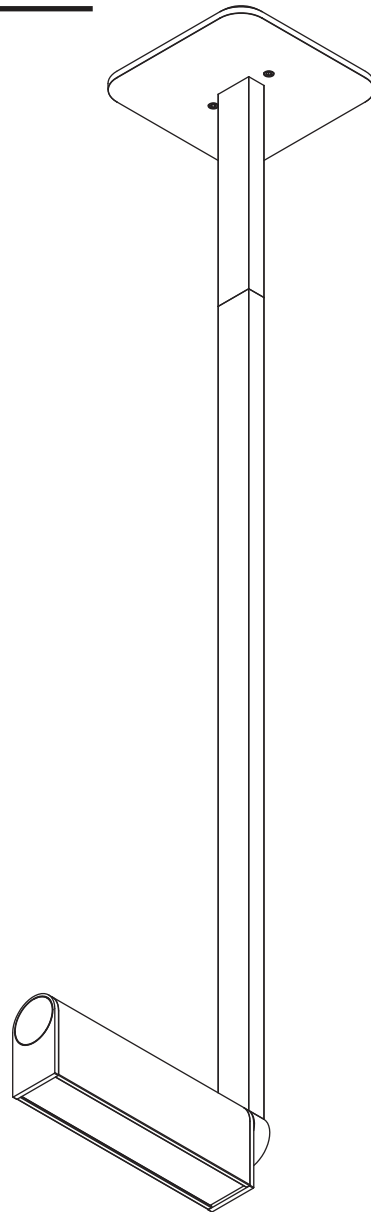
8




9



IPOLI 04 REMOTE DRIVER
IPOLI 05A / 05B REMOTE DRIVER

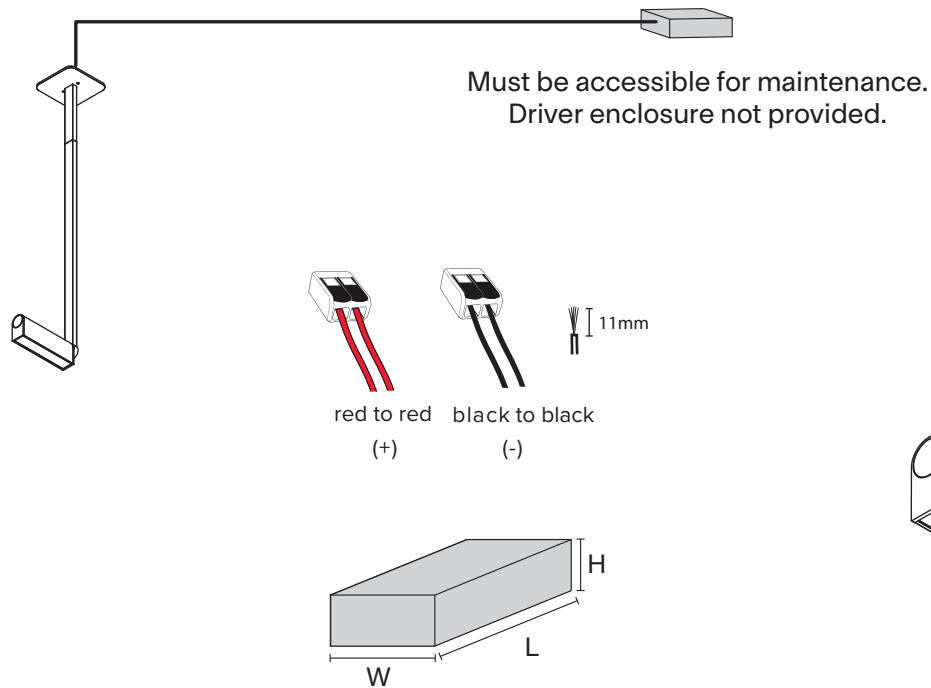



**NEVER TURN ON POWER SUPPLY
UNTIL CONNECTIONS AND
INSTALLATION ARE COMPLETED.
DOING OTHERWISE COULD BE
HARMFUL TO YOUR LUMINAIRE.**

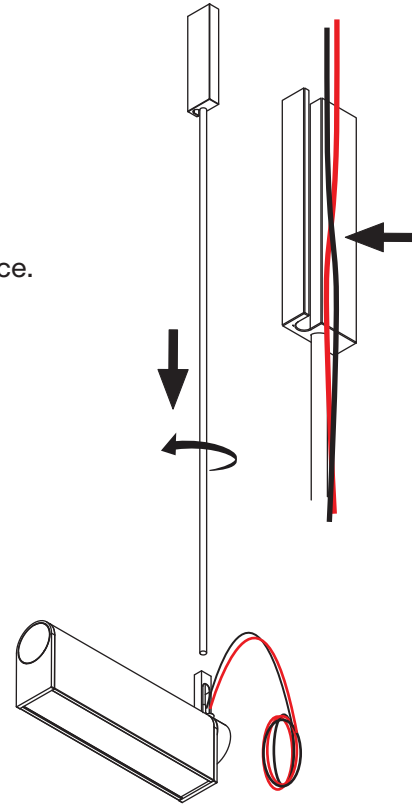
1

We recommend using 14 AWG wire to cover the distance between remote driver and luminaire.

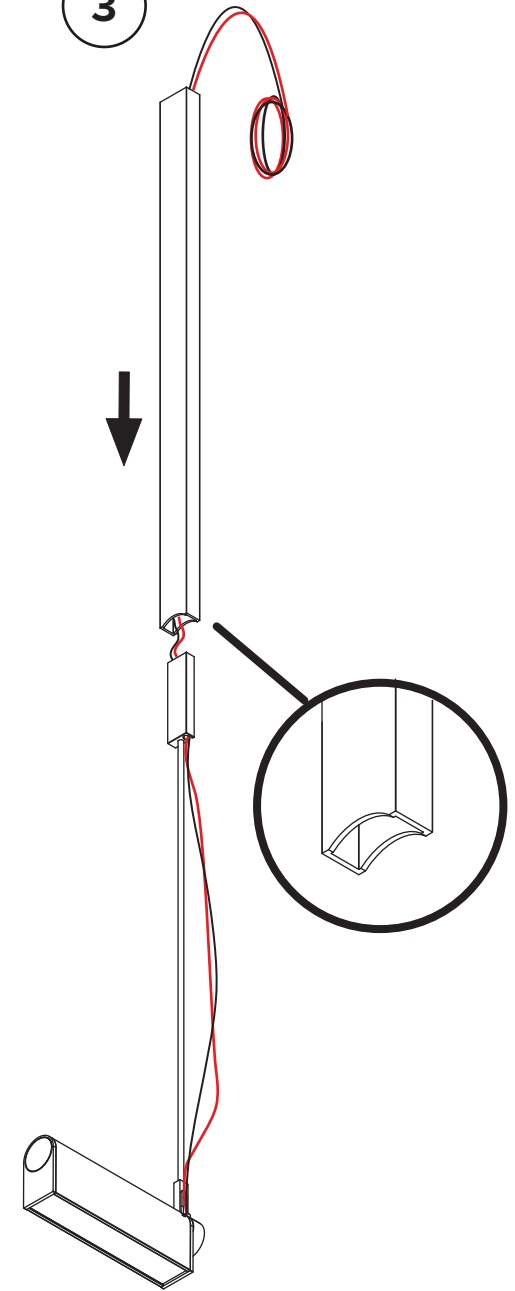
There are no issues with voltage drop at distances of less than 200 ft. / 60m.



2

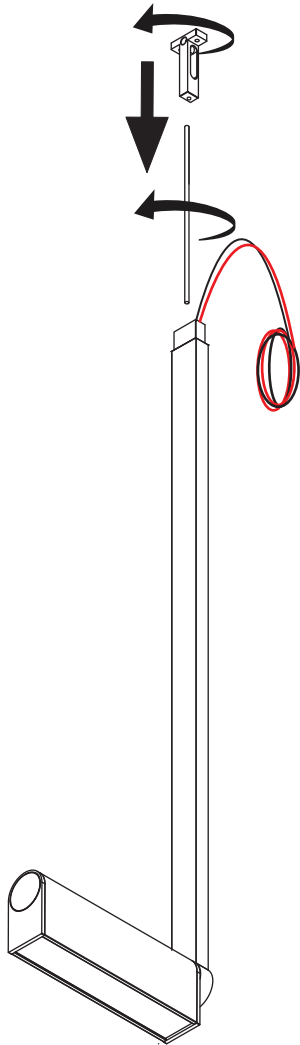


3

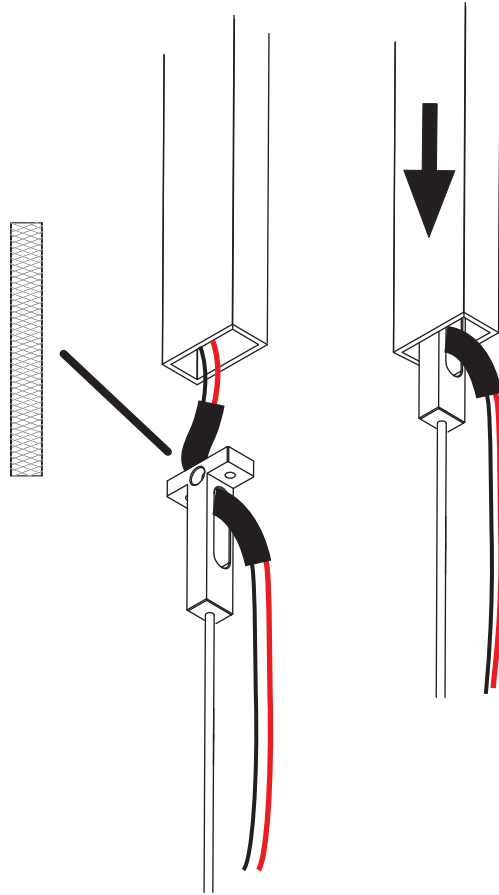


		UL phase dimming / 0-10V	CE phase dimming	CE DALI dimming
IPOLI 04 IPOLI 05A	LENGTH	3.9" / 9.8 cm	4.0" / 10.2 cm	4.7" / 12.0 cm
	WIDTH	1.0" / 2.6 cm	2.0" / 5.1 cm	2.0" / 5.1 cm
	HEIGHT	0.9" / 2.2 cm	1.2" / 3.0 cm	1.2" / 3.0 cm
IPOLI 05B	LENGTH	4.0" / 10.3 cm	4.0" / 10.2 cm	6.3" / 16.0 cm
	WIDTH	1.0" / 2.6 cm	2.0" / 5.1 cm	3.2" / 8.2 cm
	HEIGHT	0.9" / 2.4 cm	1.2" / 3.0 cm	1.3" / 3.4 cm

4



5



6

