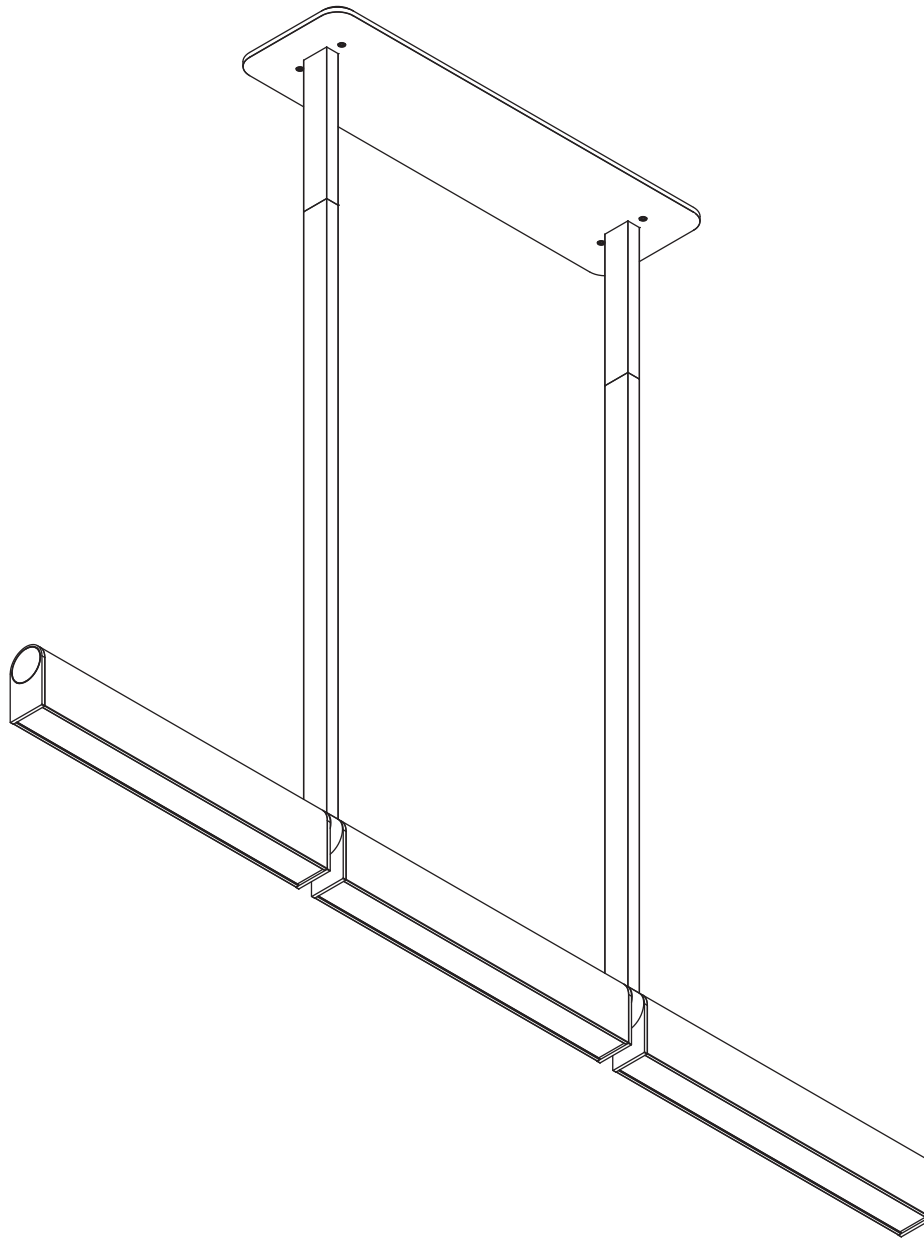
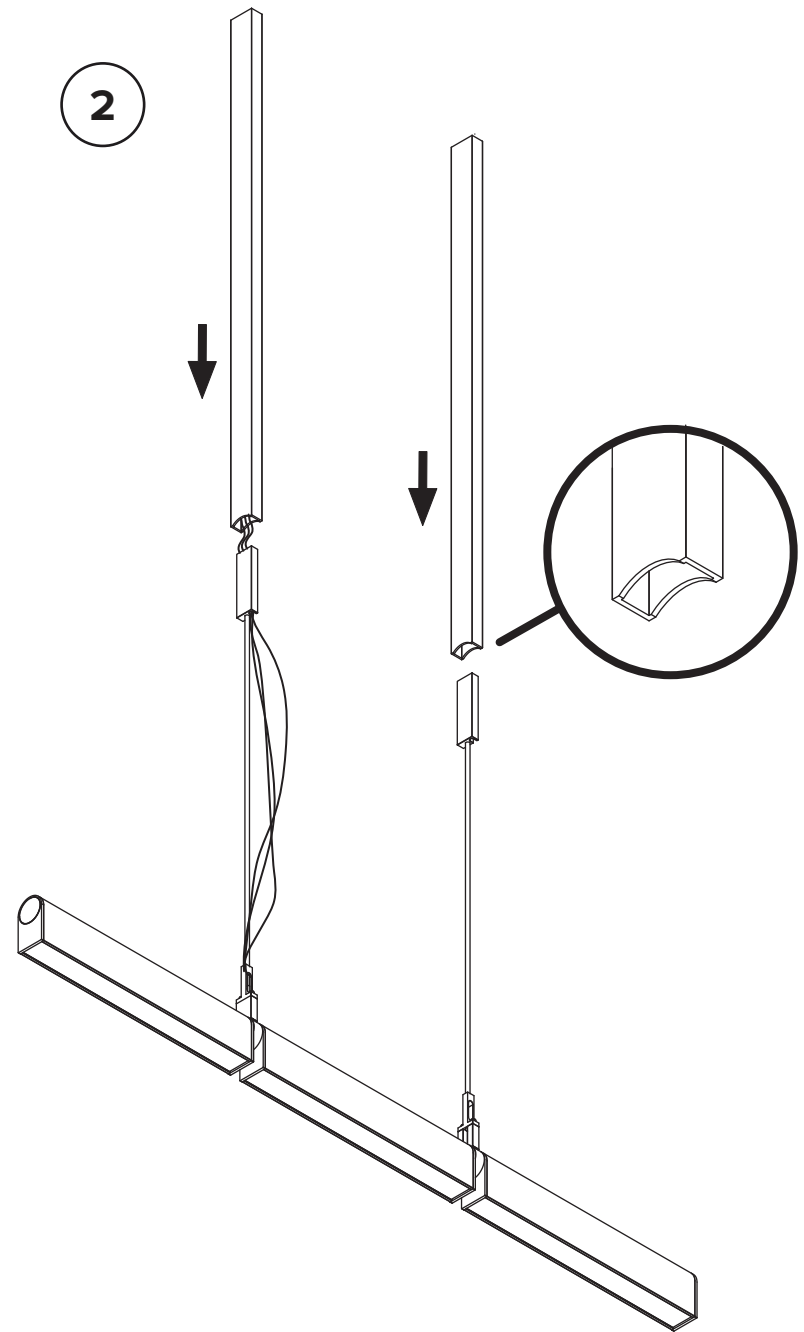
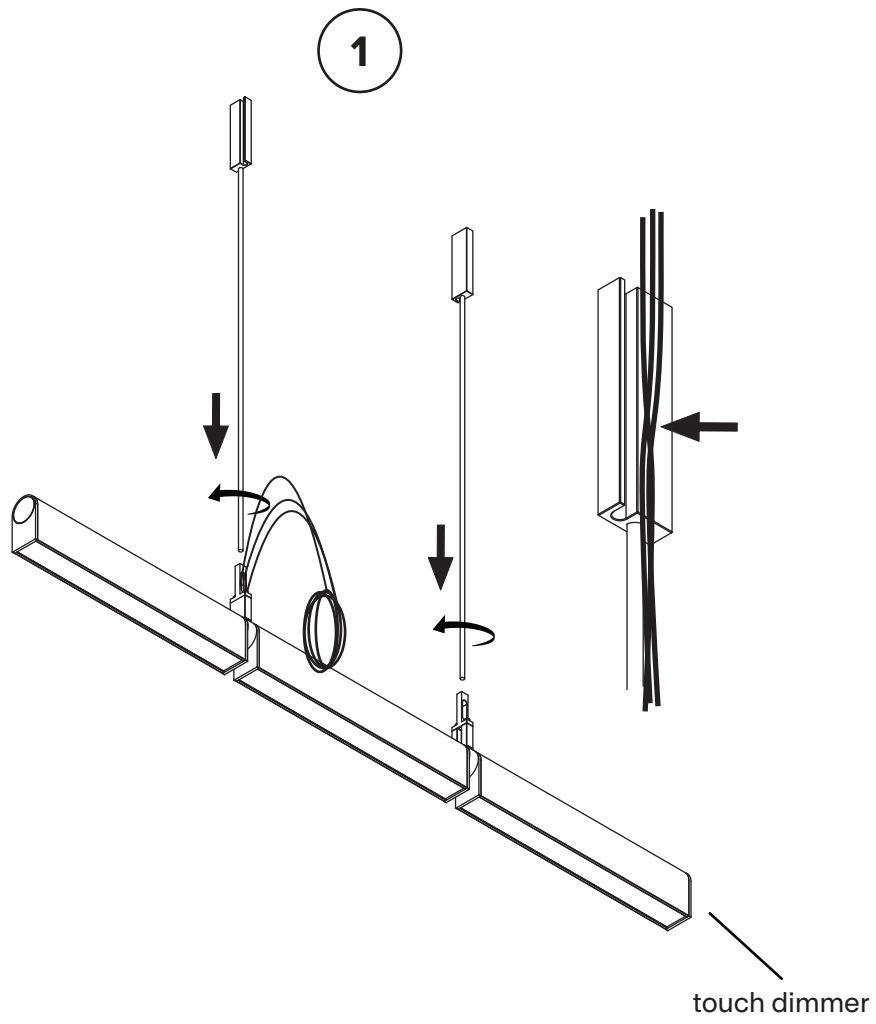
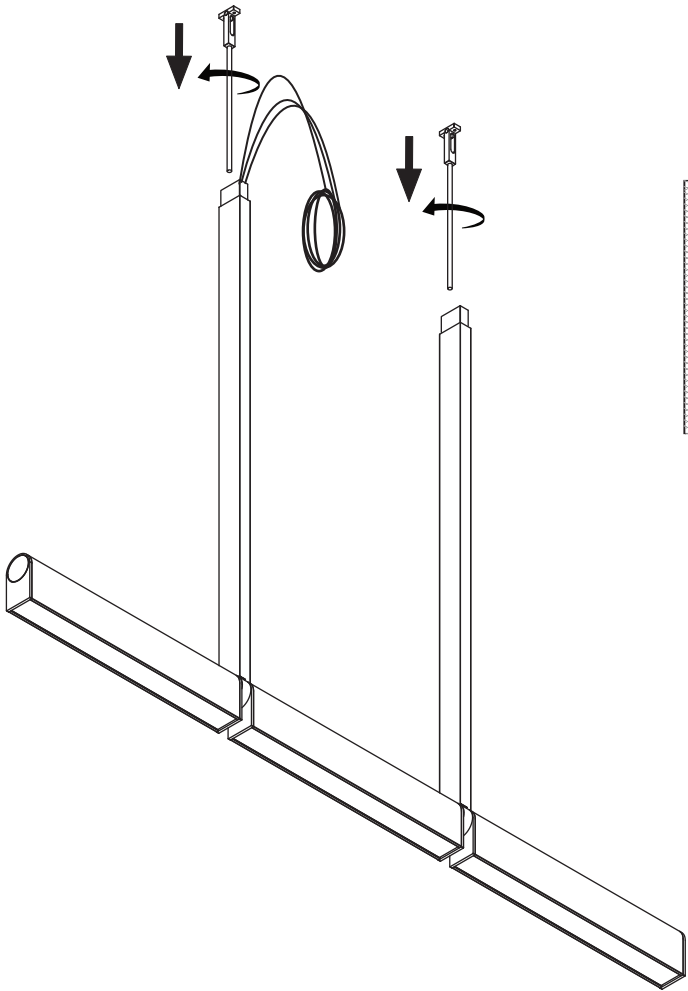

IPOLI 06



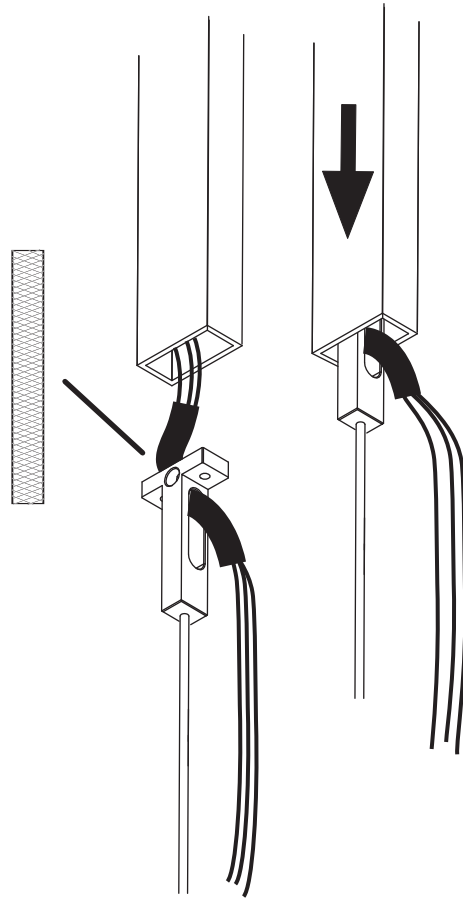
NEVER TURN ON POWER SUPPLY
UNTIL CONNECTIONS AND
INSTALLATION ARE COMPLETED.
DOING OTHERWISE COULD BE
HARMFUL TO YOUR LUMINAIRE.



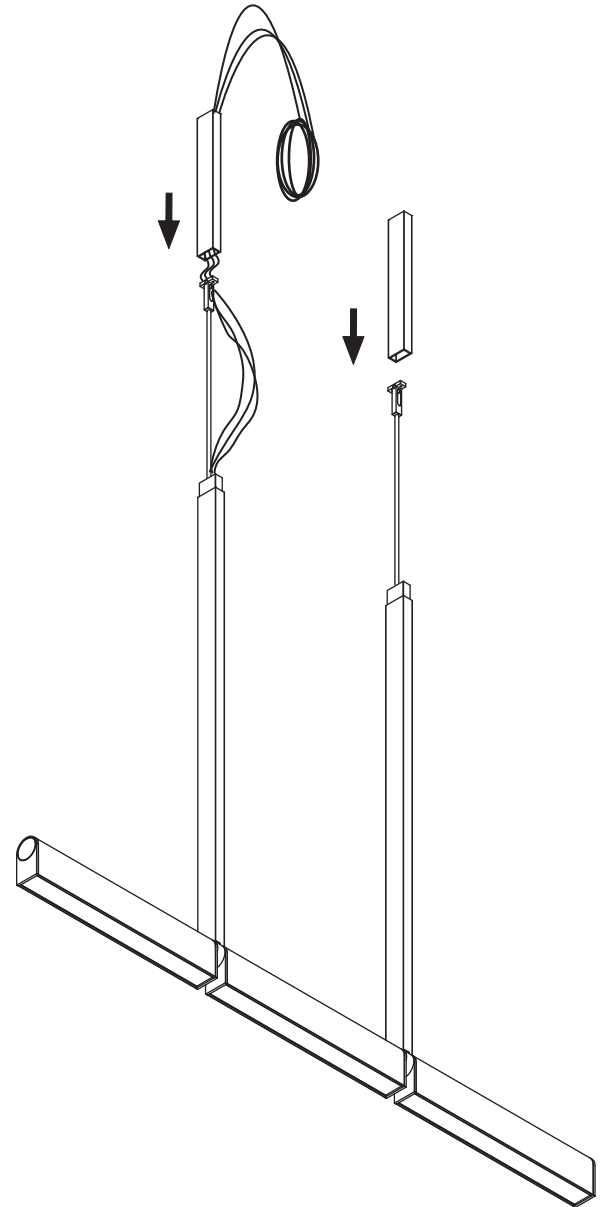
3

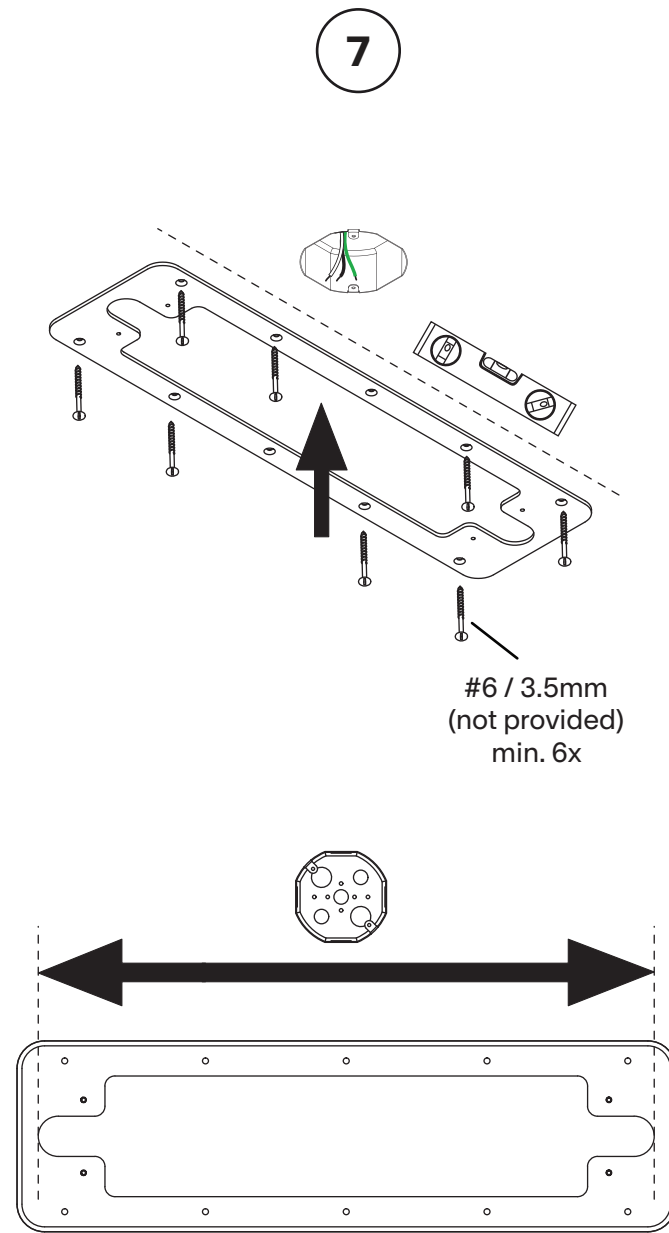
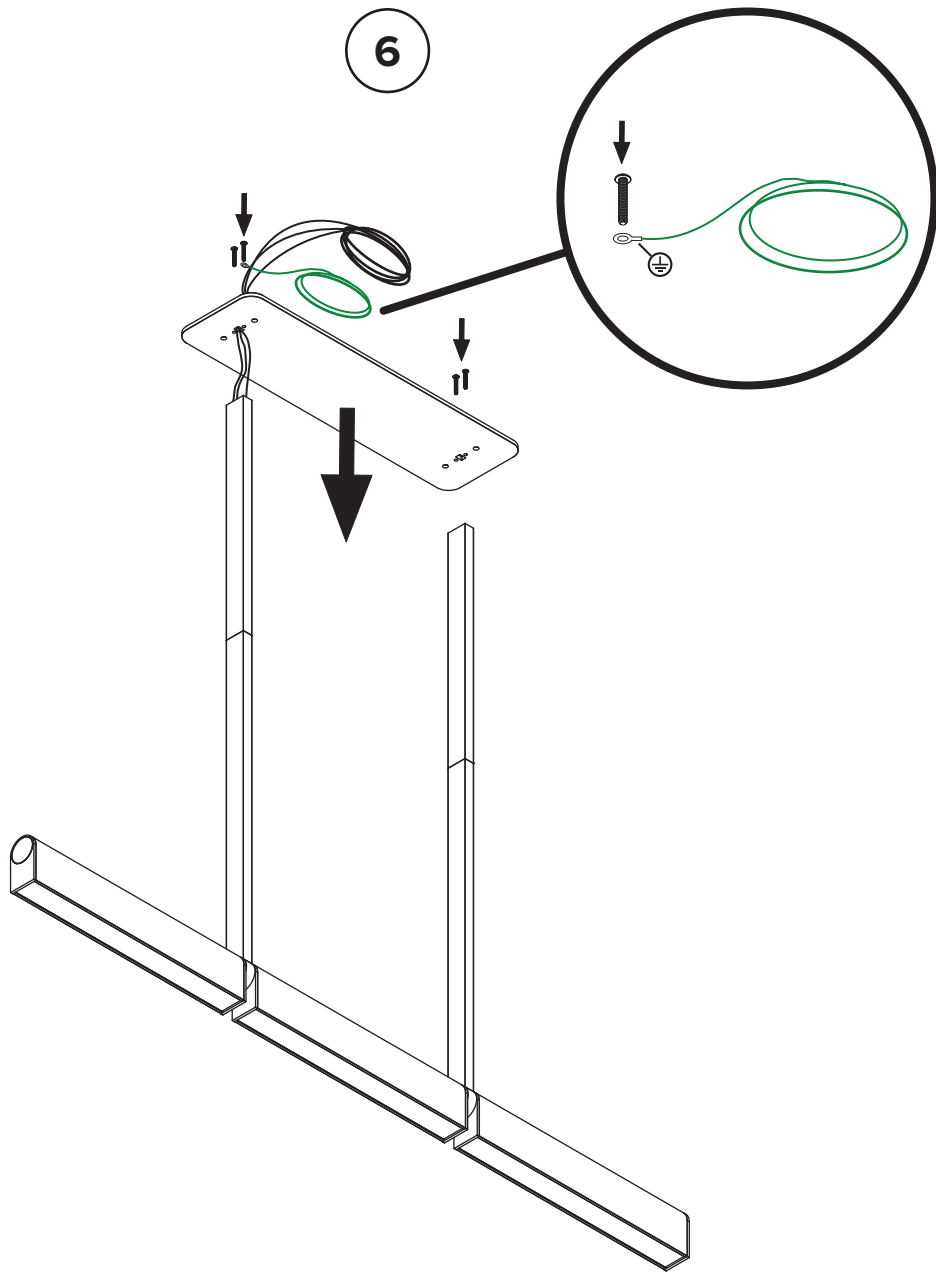


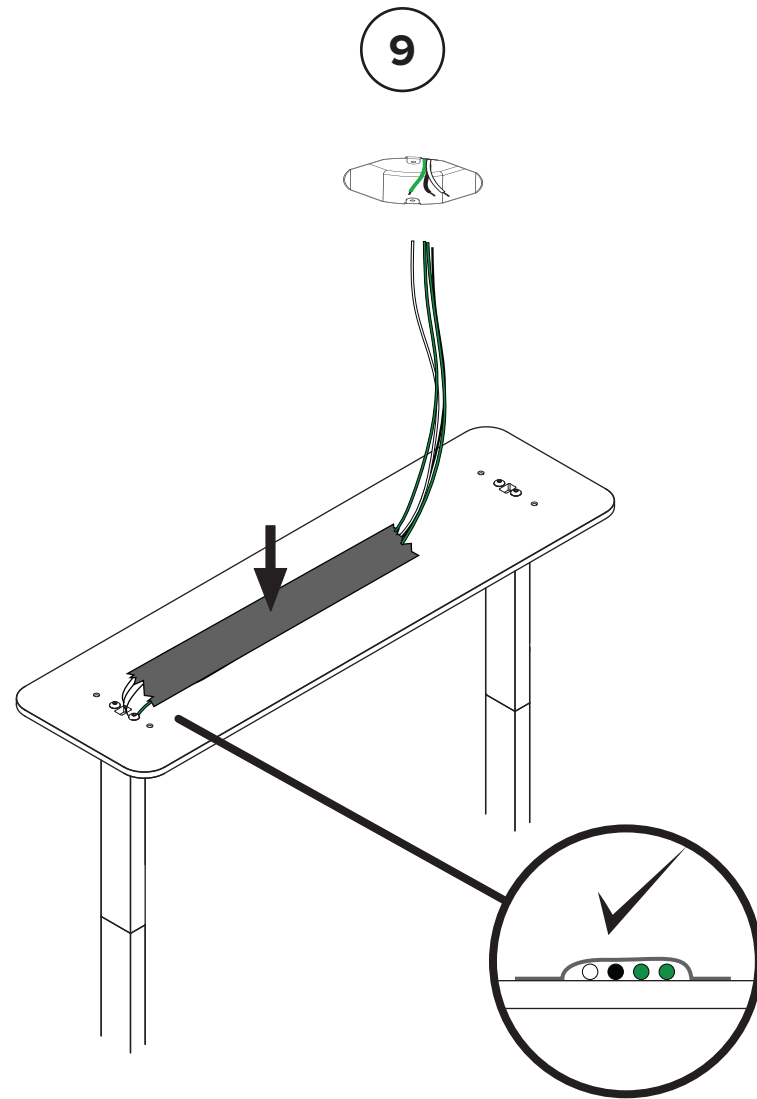
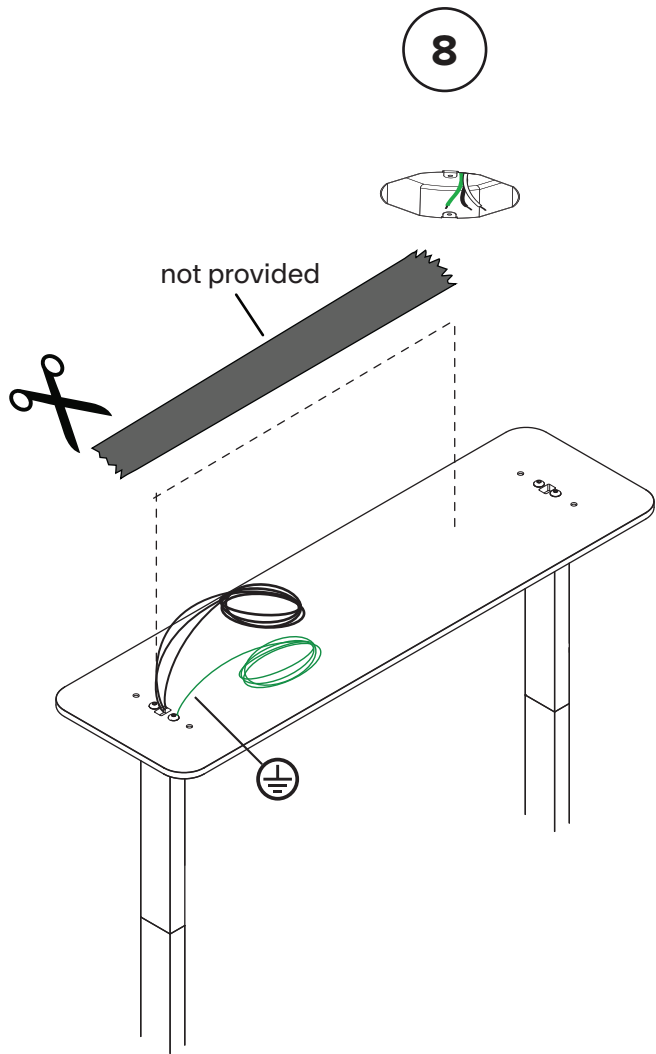
4



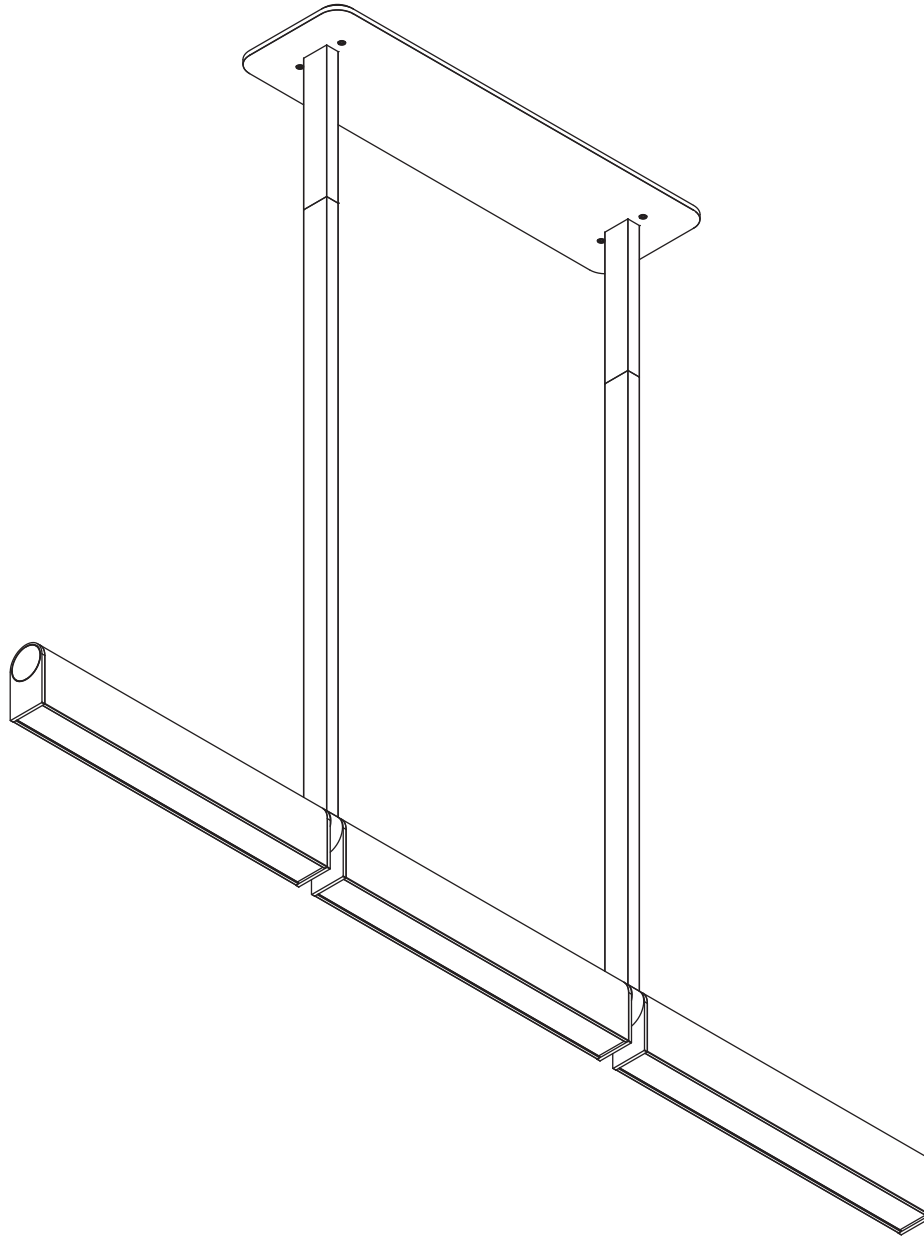
5







IPOLI 06 REMOTE DRIVER

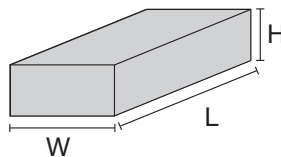
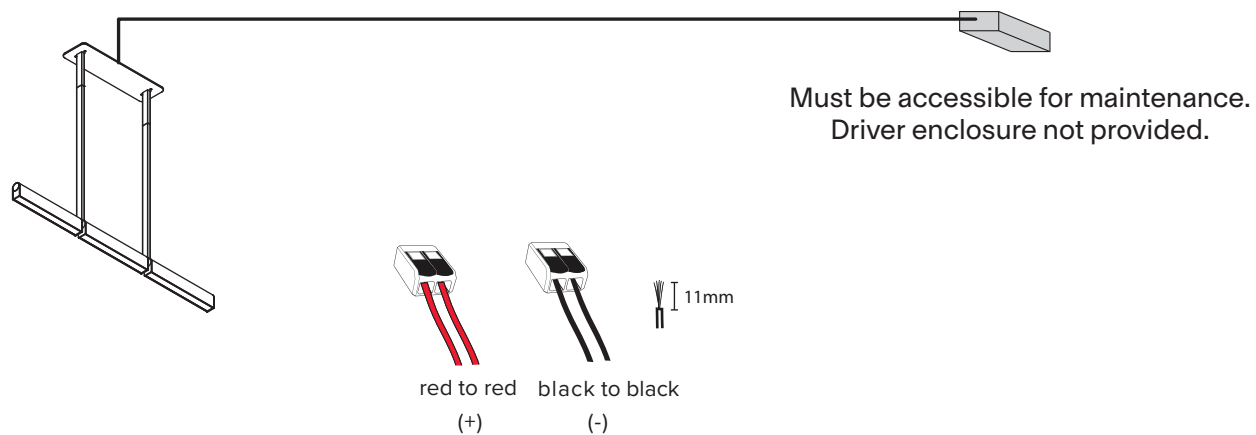


NEVER TURN ON POWER SUPPLY
UNTIL CONNECTIONS AND
INSTALLATION ARE COMPLETED.
DOING OTHERWISE COULD BE
HARMFUL TO YOUR LUMINAIRE.

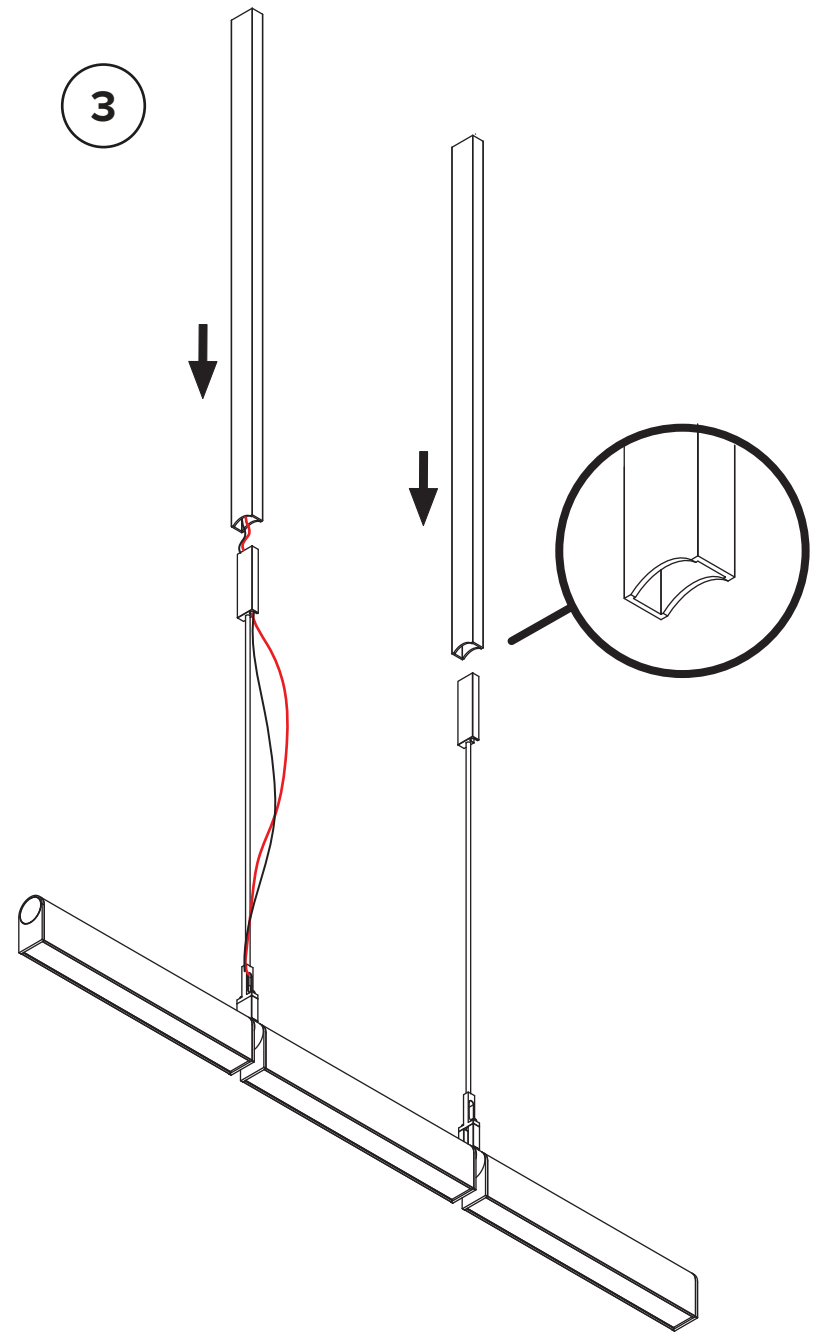
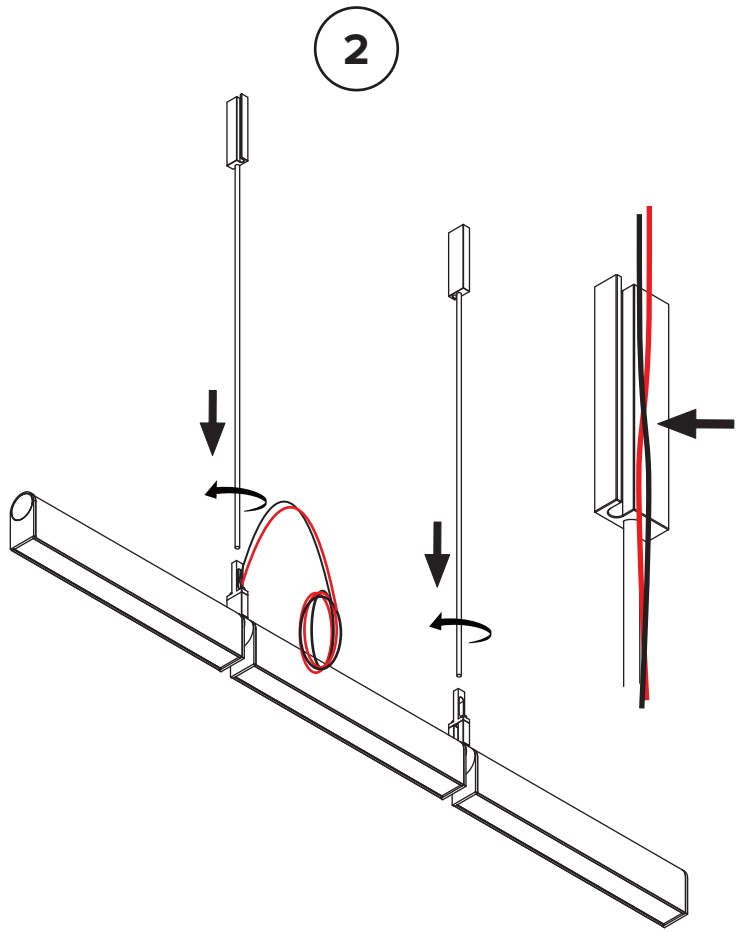
1

We recommend using 14 AWG wire to cover the distance between remote driver and luminaire.

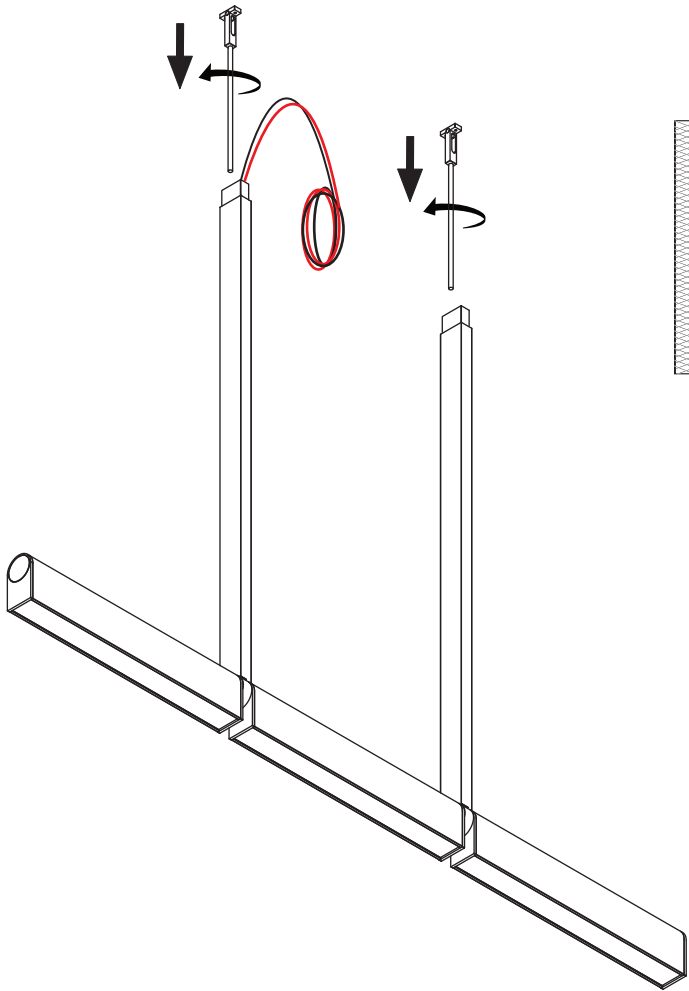
There are no issues with voltage drop at distances of less than 200 ft. / 60m.



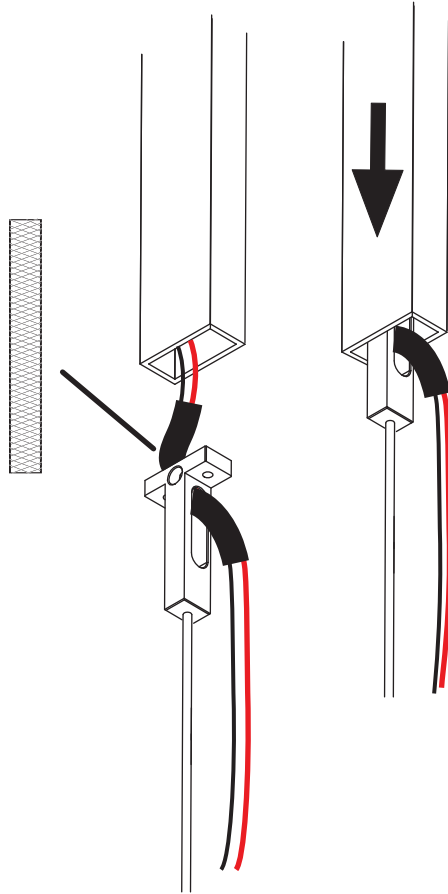
	UL phase dimming / 0-10V	CE phase dimming	CE DALI dimming
LENGTH	4.0" / 10.3 cm	4.0" / 10.2 cm	6.3" / 16.0 cm
WIDTH	1.0" / 2.6 cm	2.0" / 5.1 cm	3.2" / 8.2 cm
HEIGHT	0.9" / 2.4 cm	1.2" / 3.0 cm	1.3" / 3.4 cm



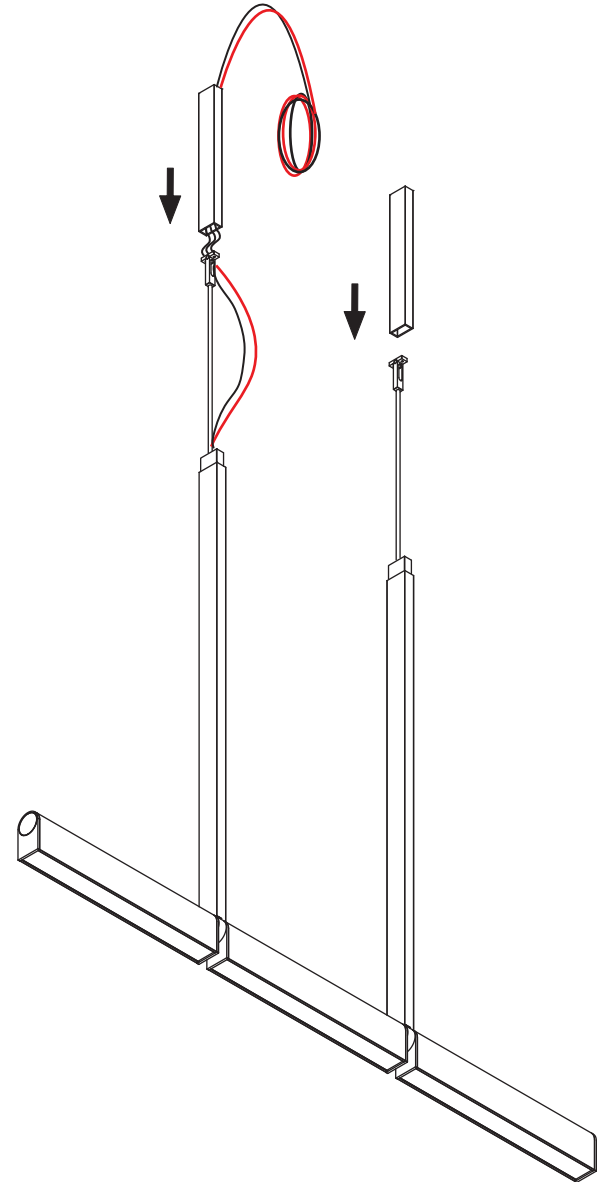
4



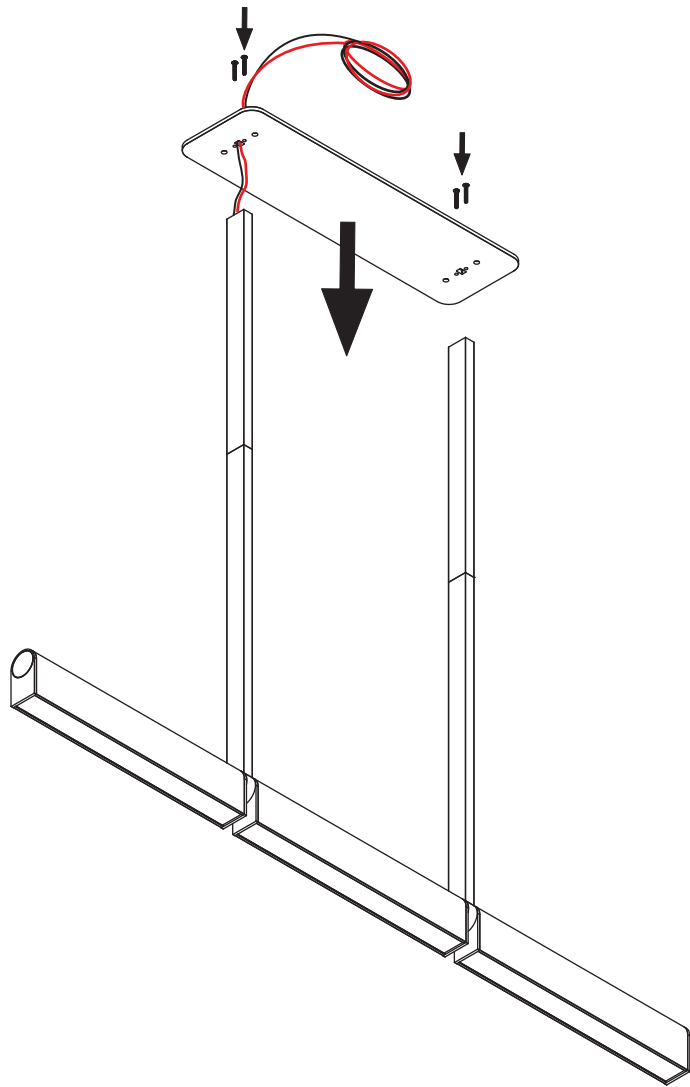
5



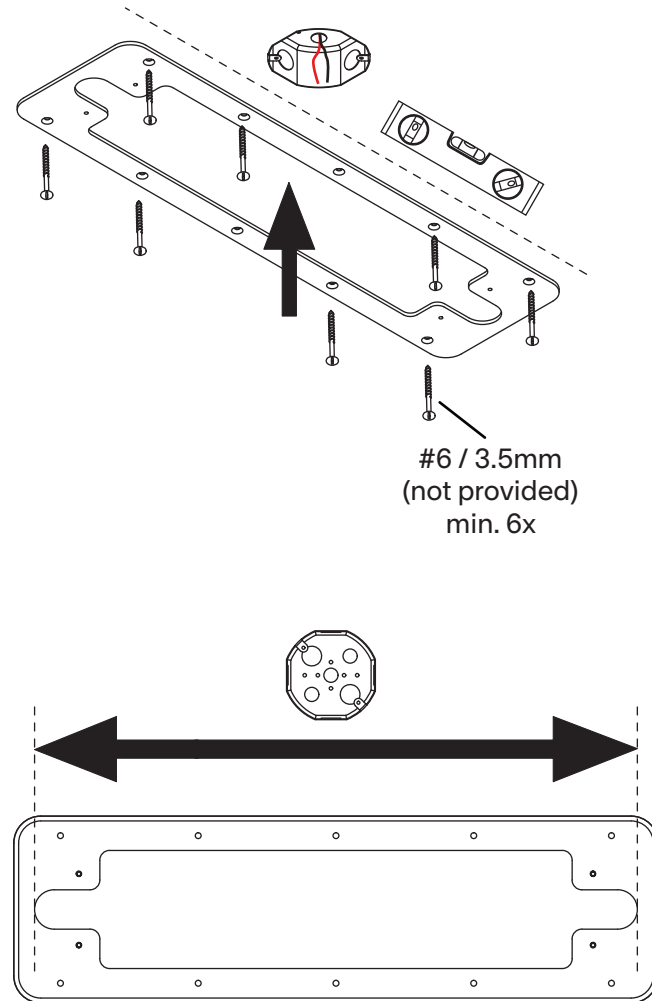
6

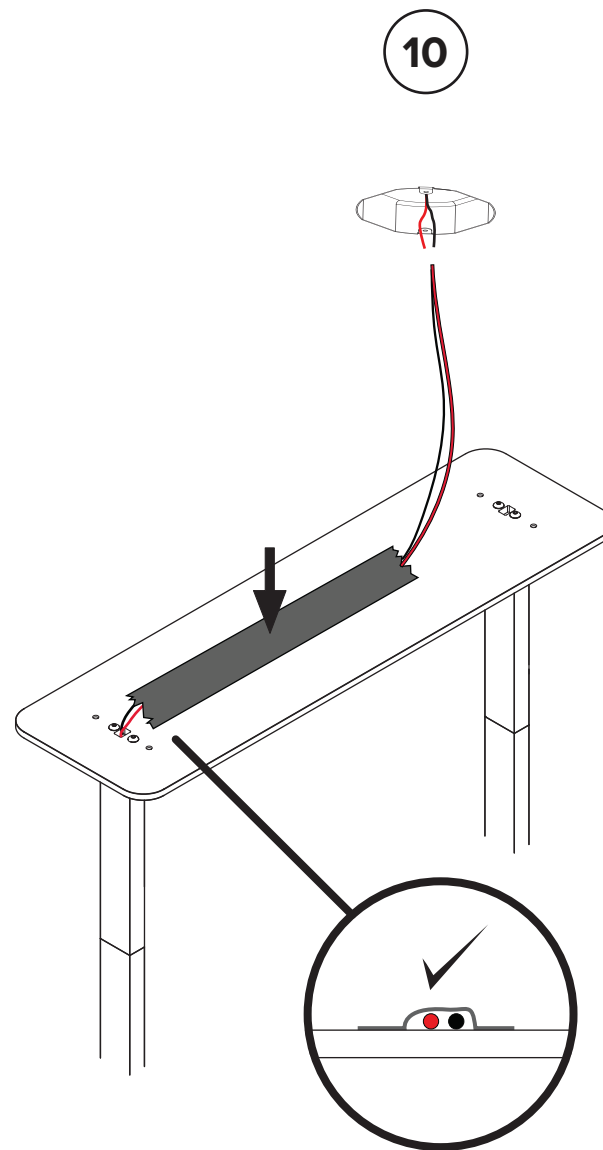
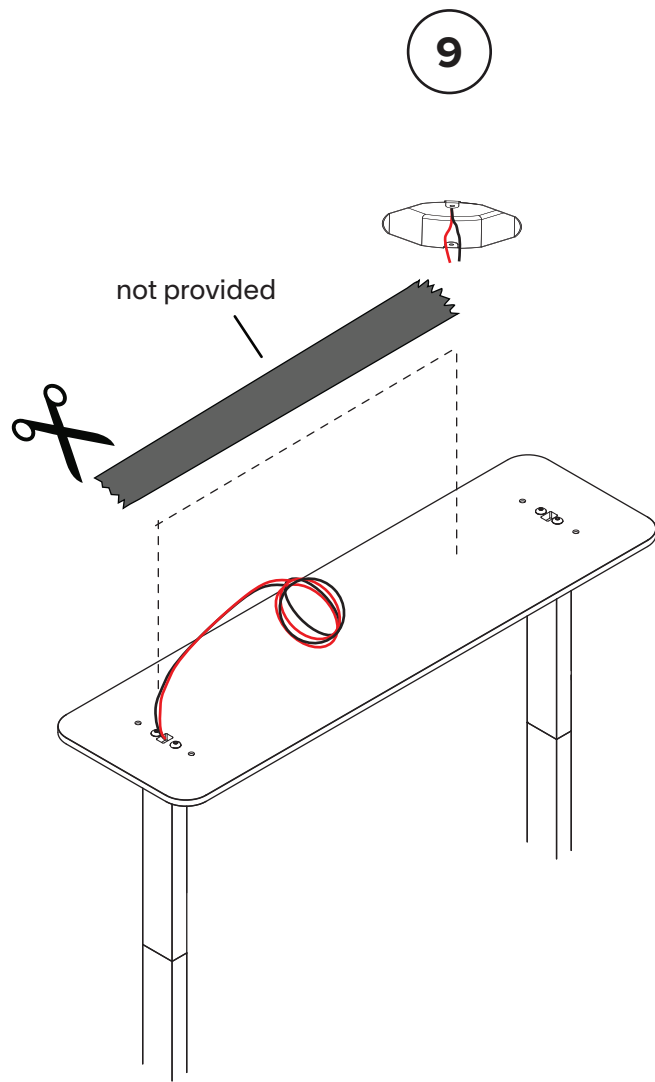


7

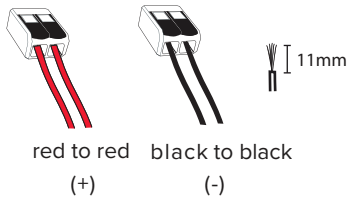
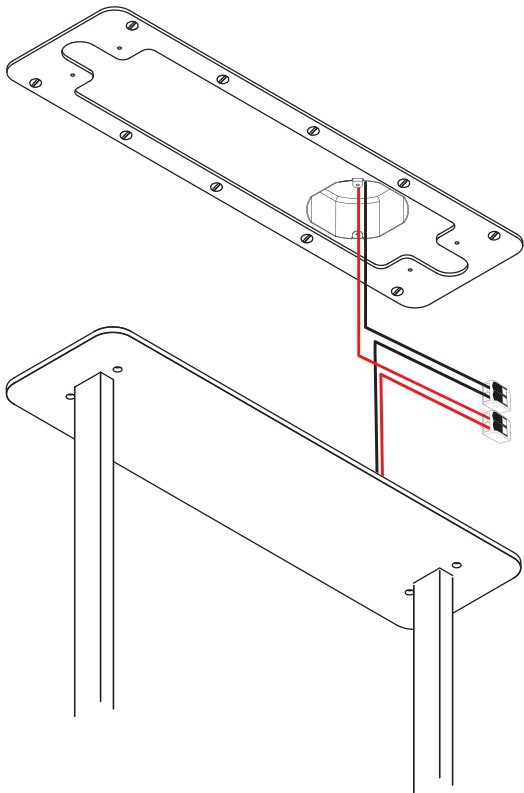


8

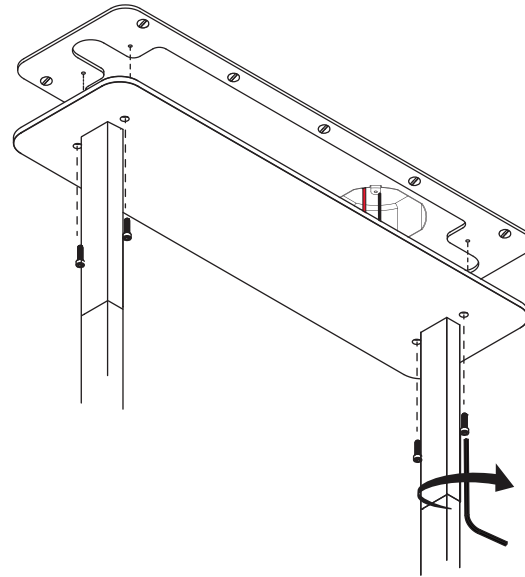




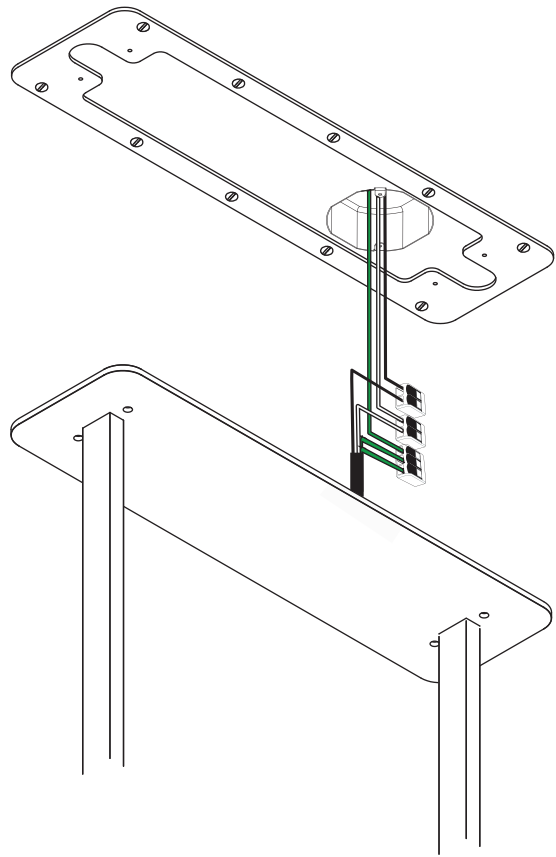
11



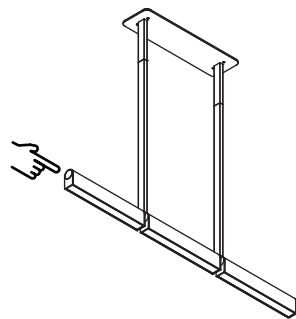
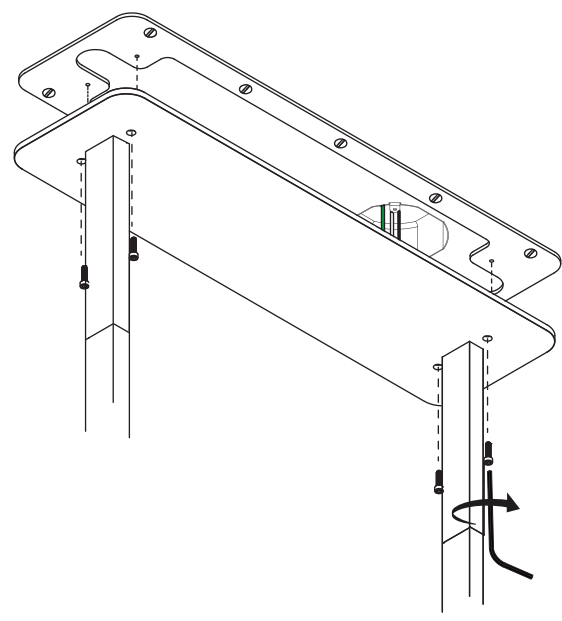
12



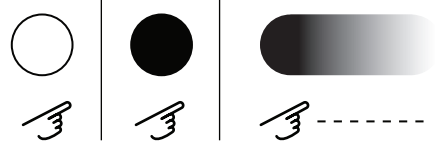
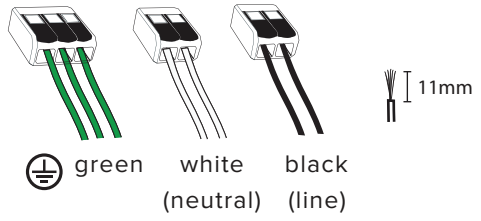
10



11



for 120 V wiring



for 220-240V wiring

