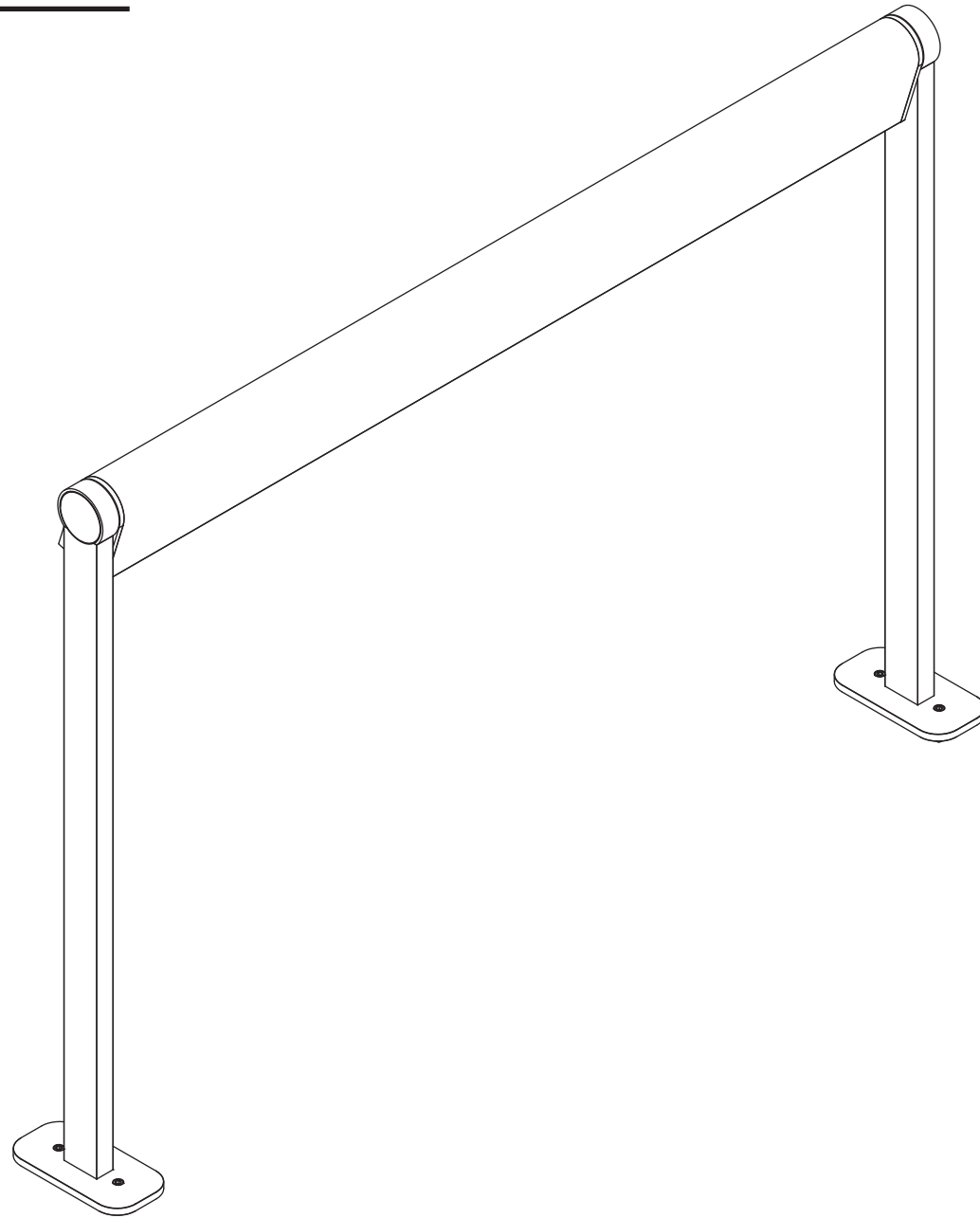
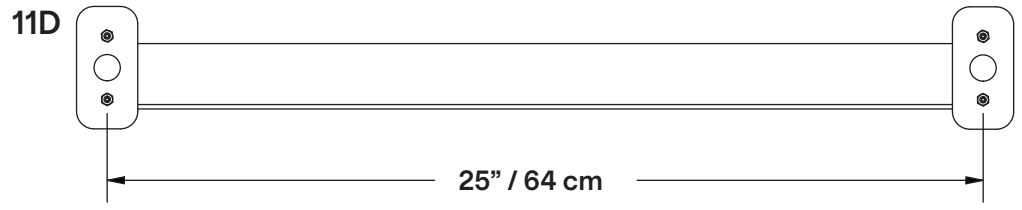
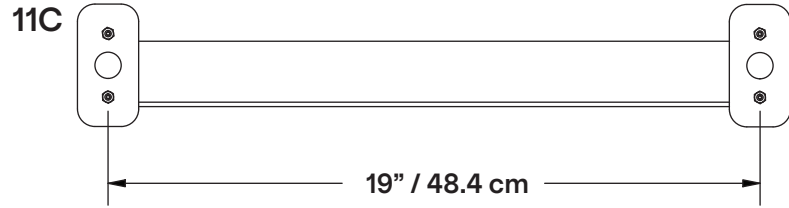
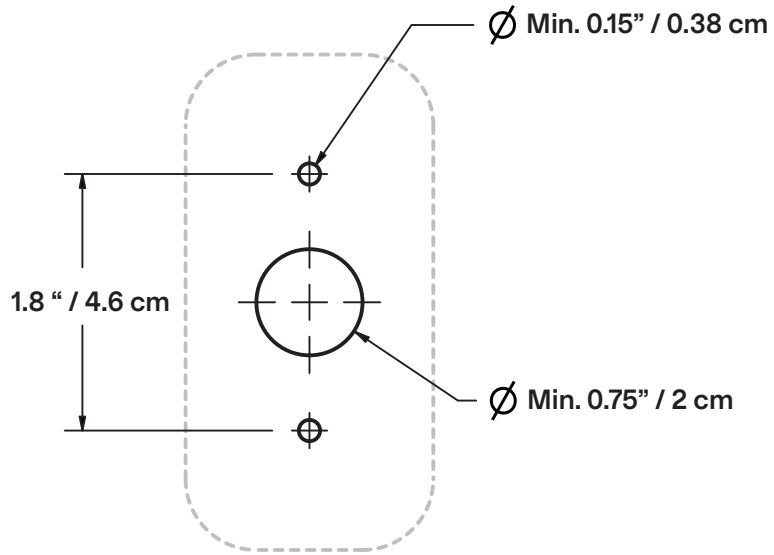
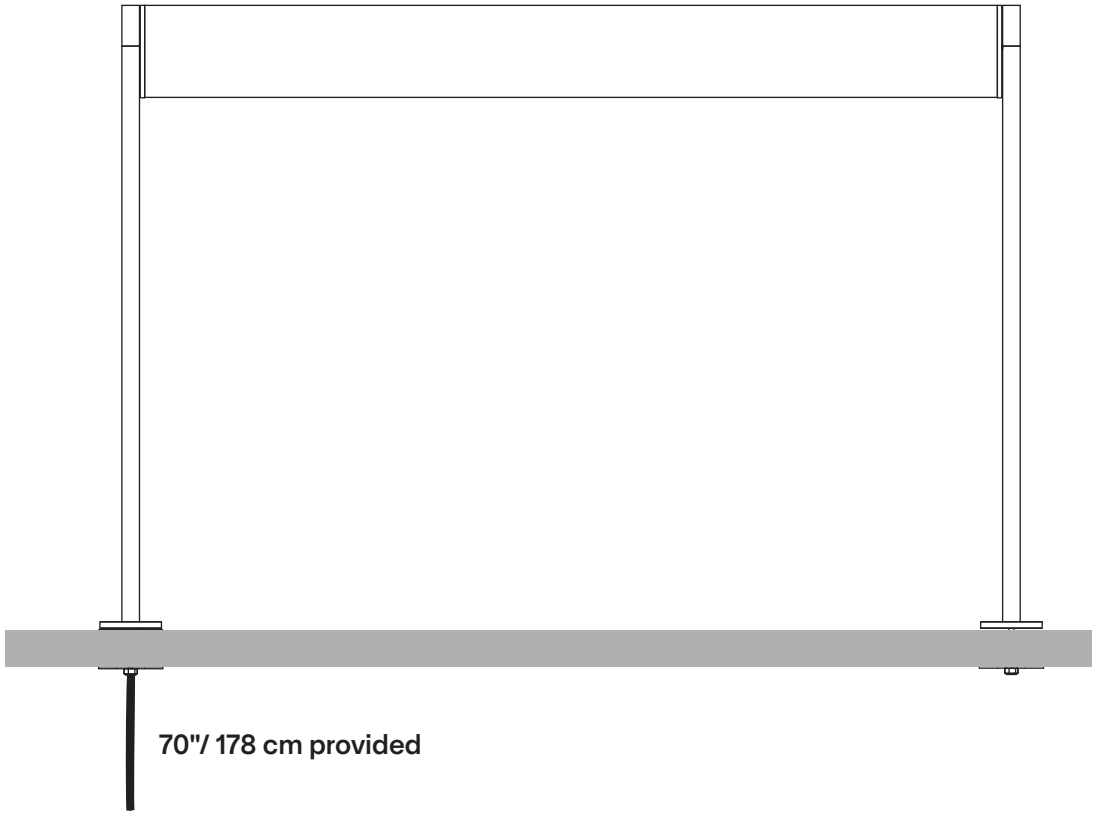

IPOLI 11C / 11D HARDWIRE FIXED

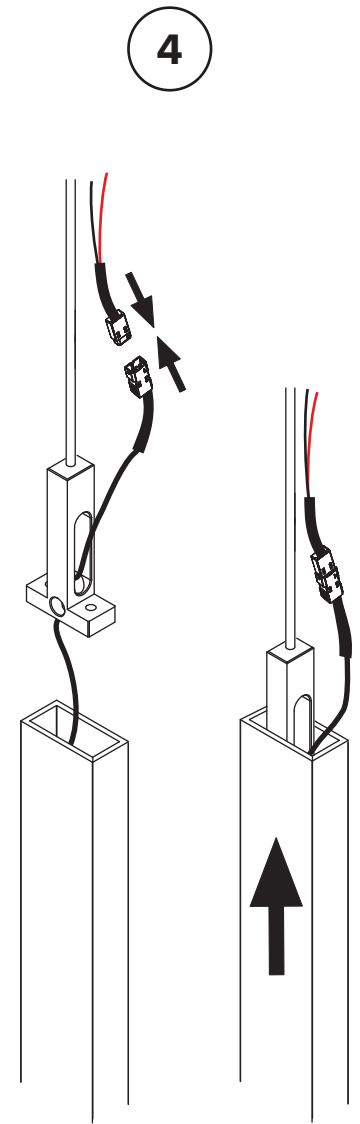
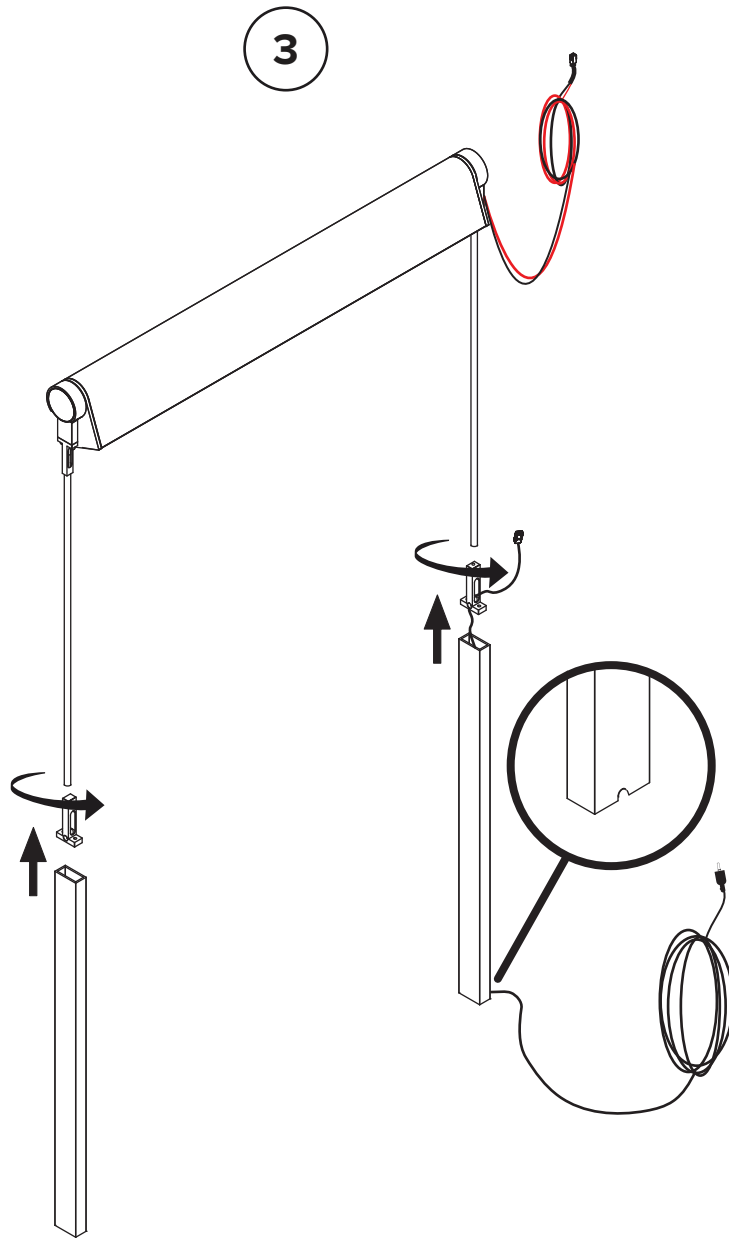
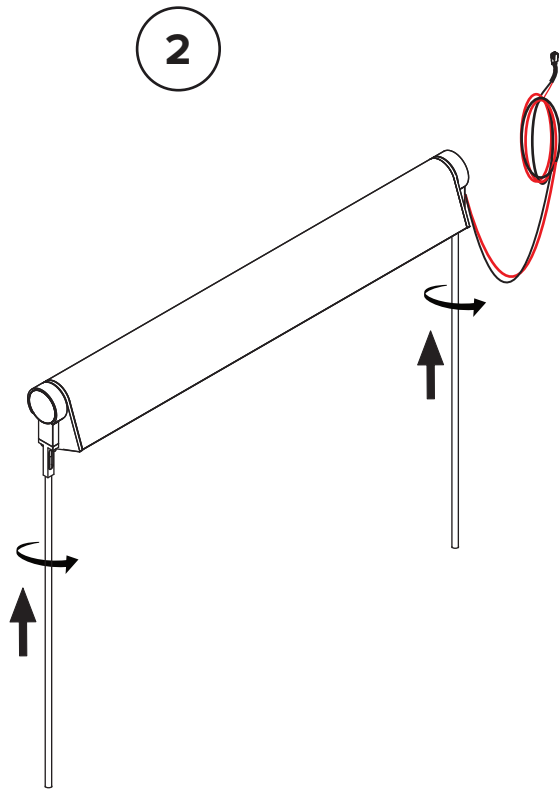


1

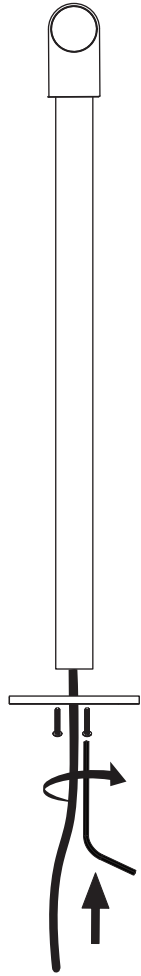


0.5" / 1.27 cm — 1.5" / 3.8 cm

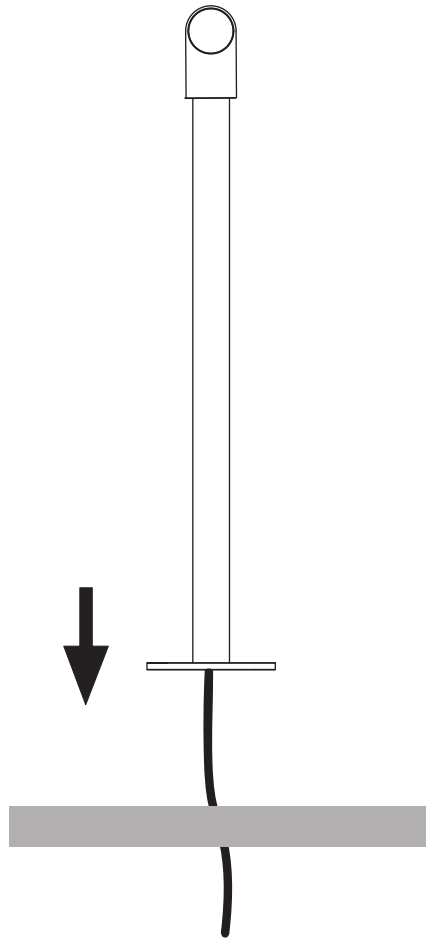




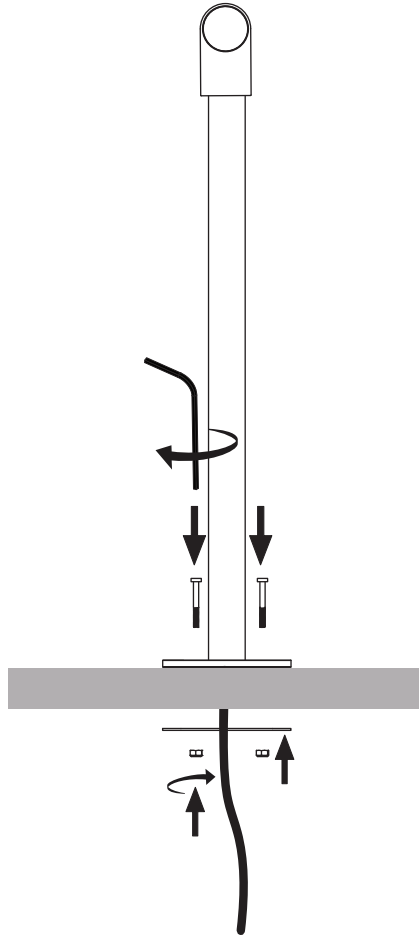
5



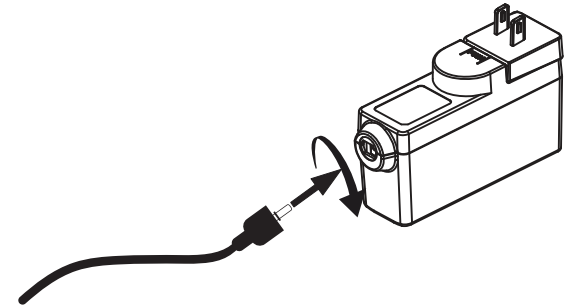
6



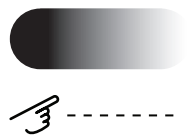
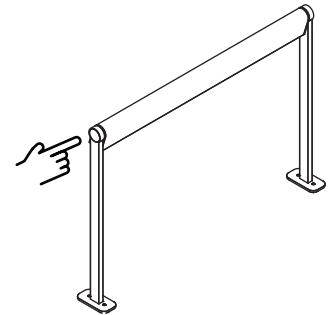
7



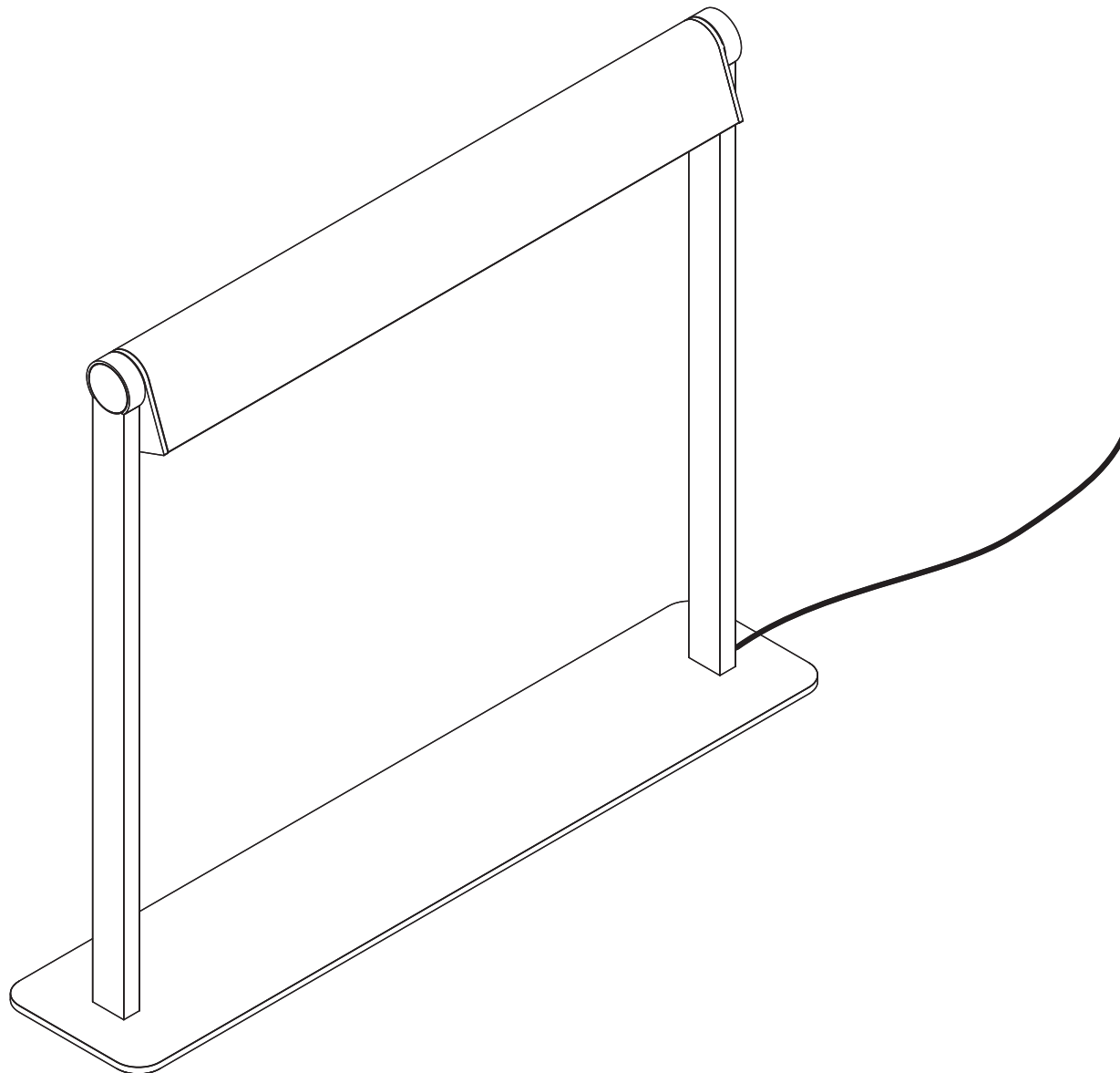
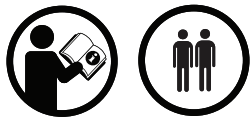
8

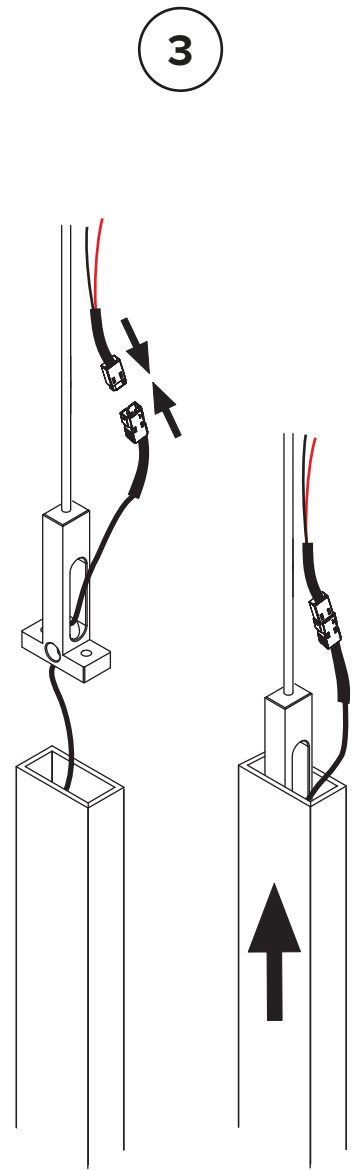
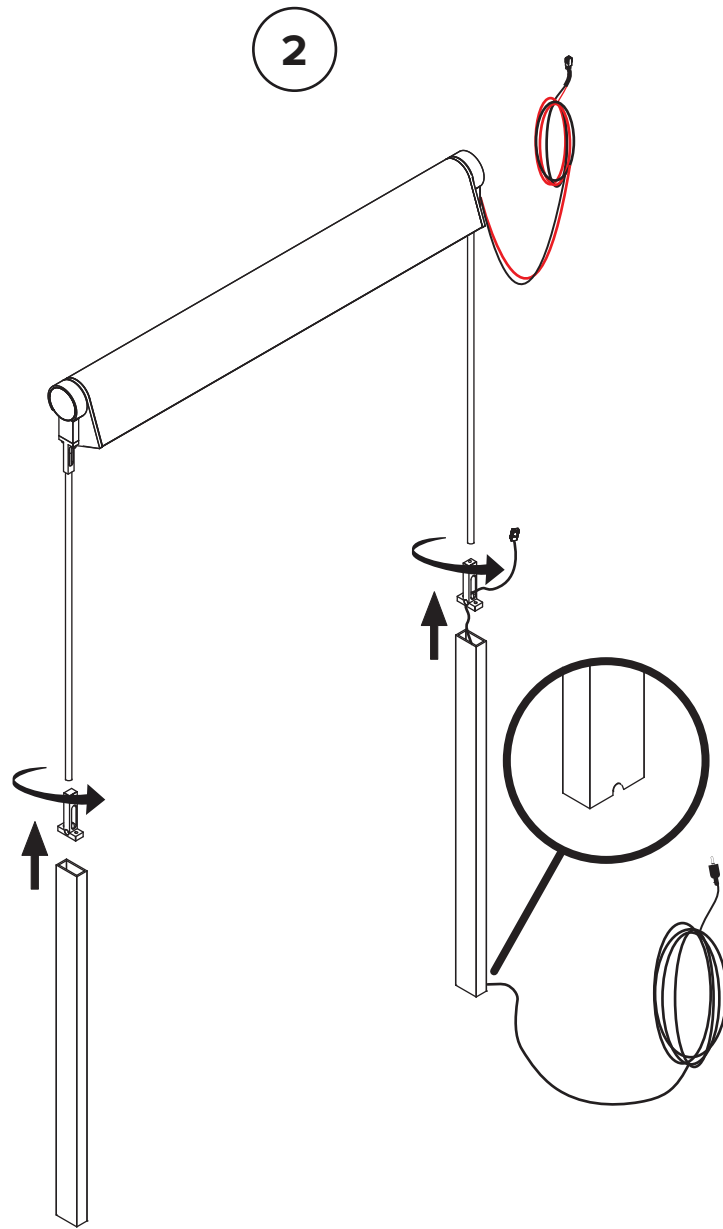
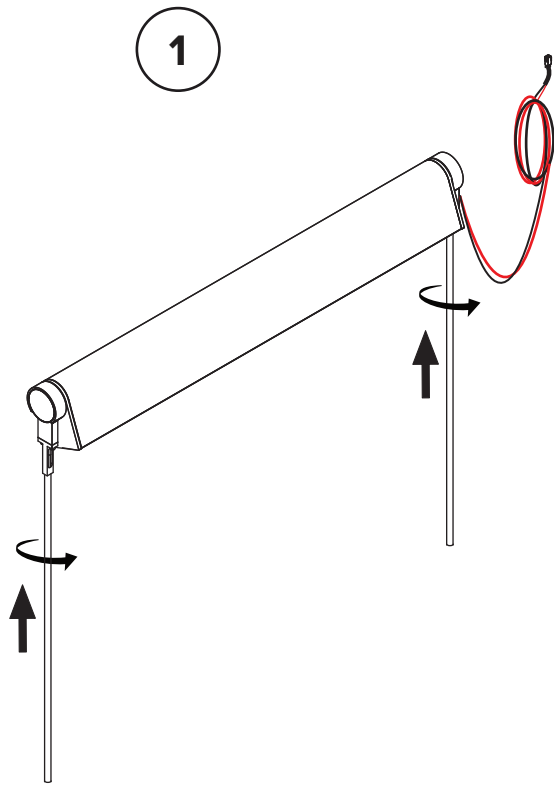


9

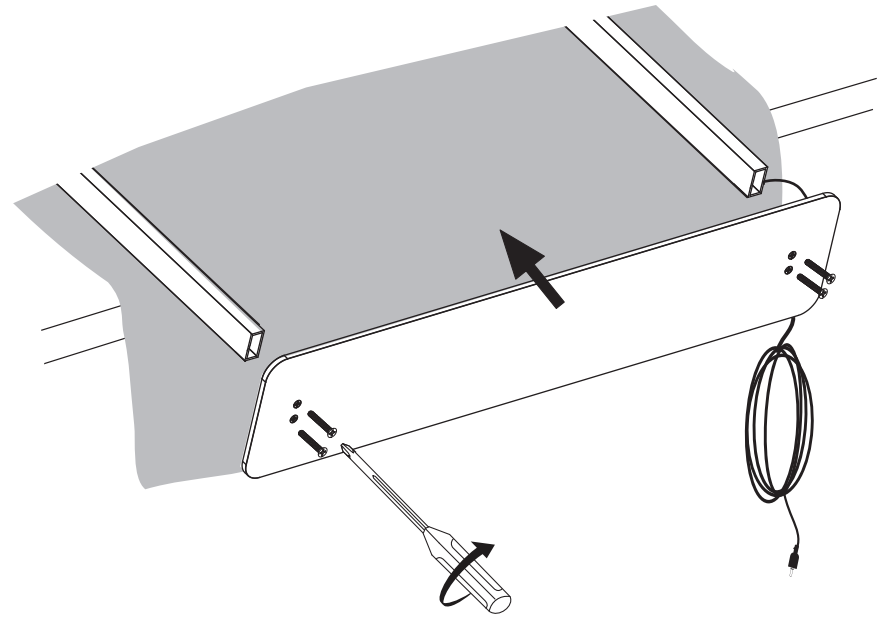
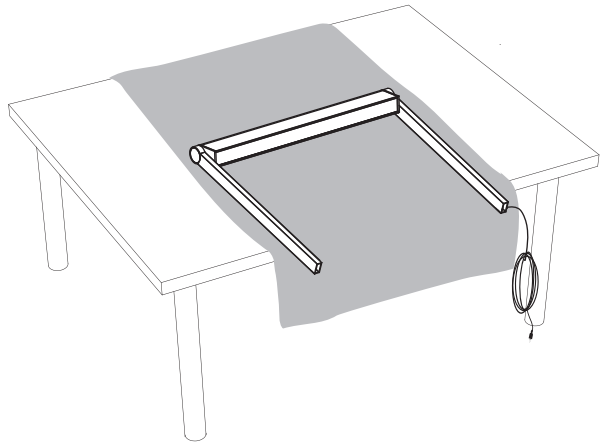


IPOLI 11C / 11D

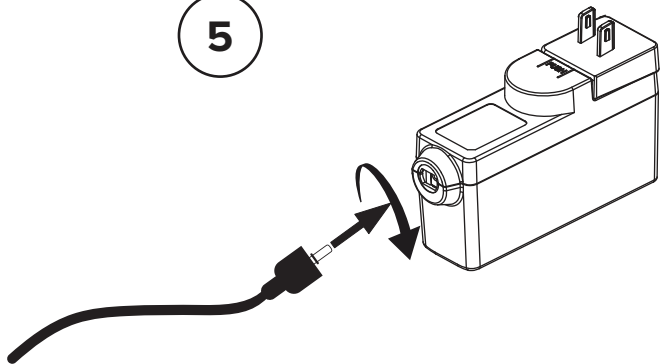




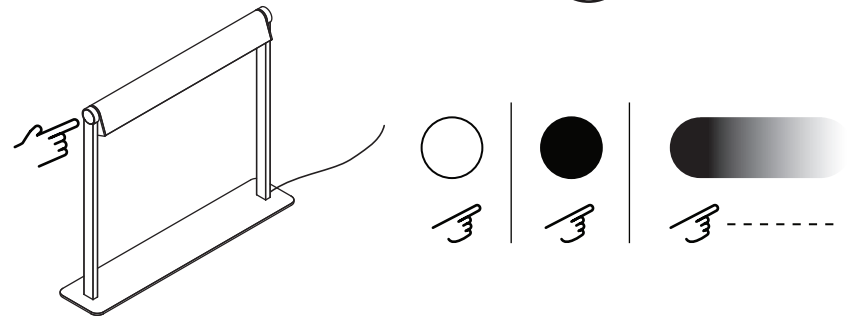
4



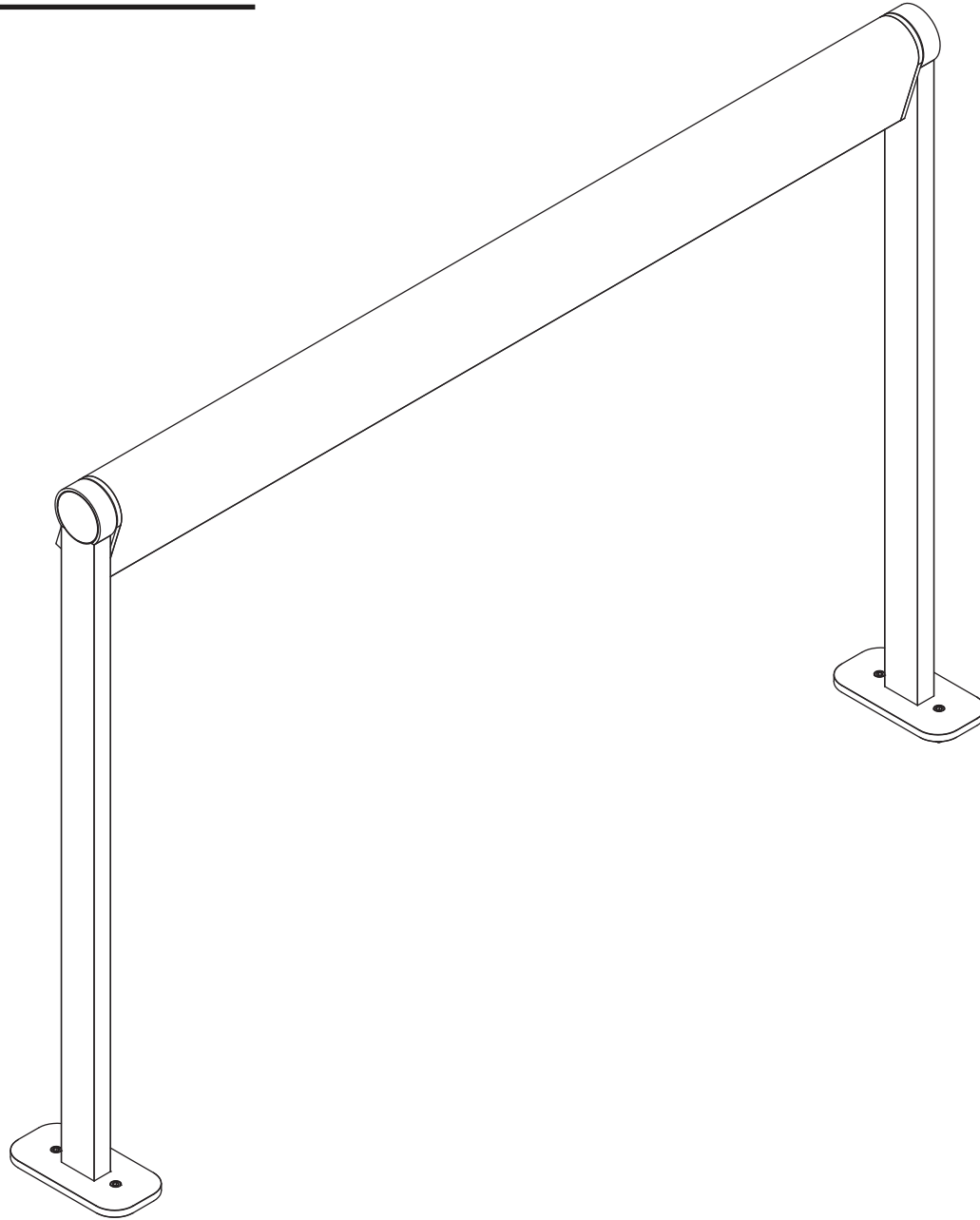
5



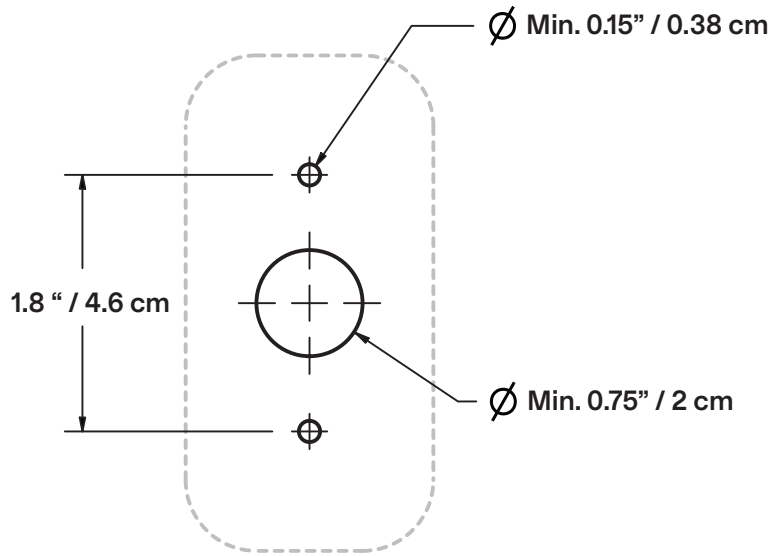
6



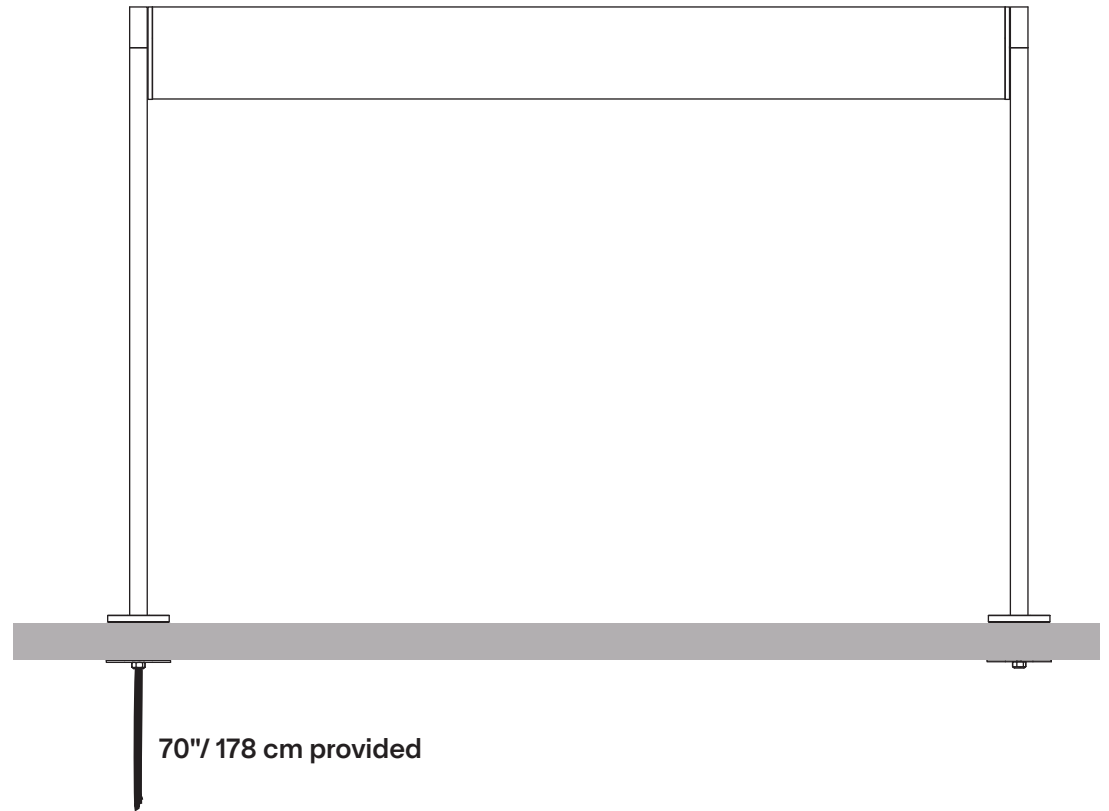
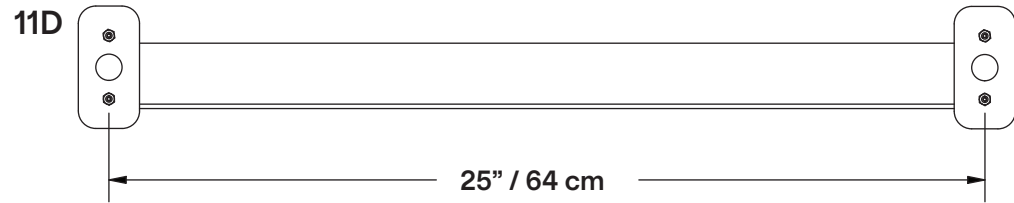
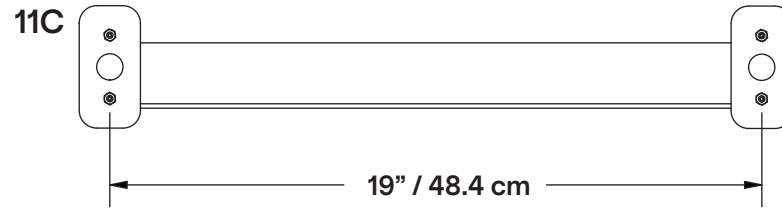
IPOLI 11C / 11D REMOTE DRIVER (FIXED)



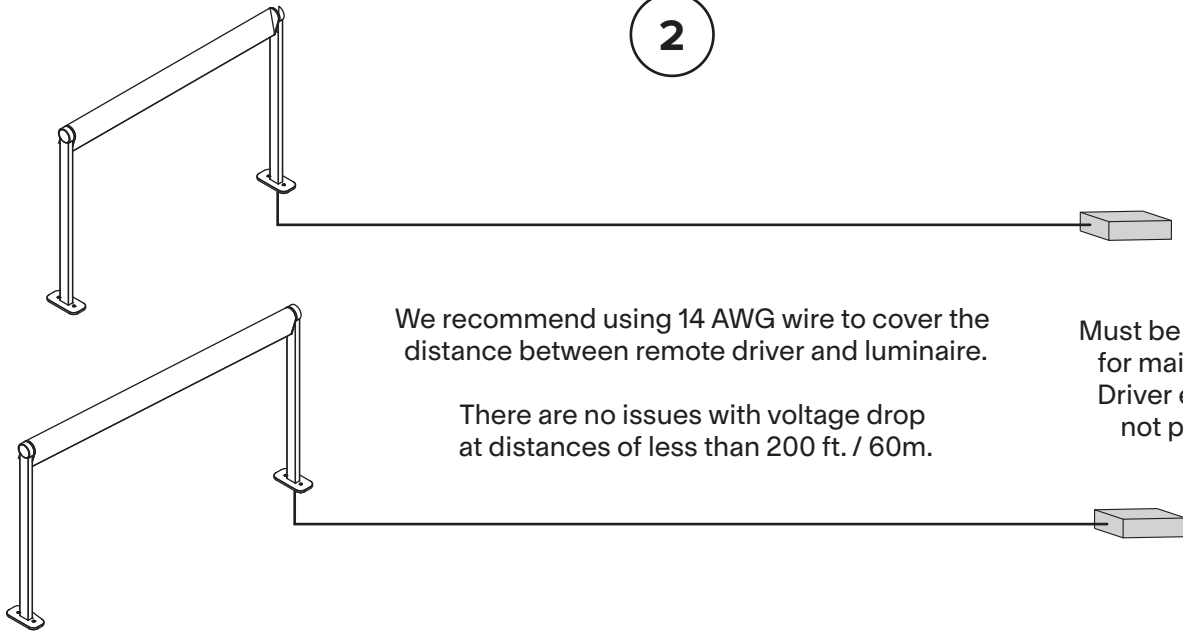
1



0.5" / 1.27 cm — 1.5" / 3.8 cm



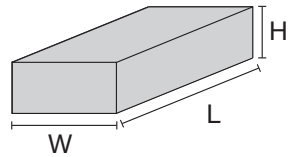
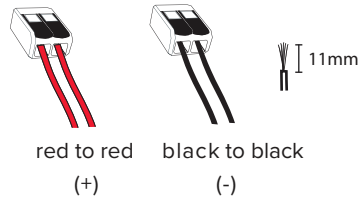
2



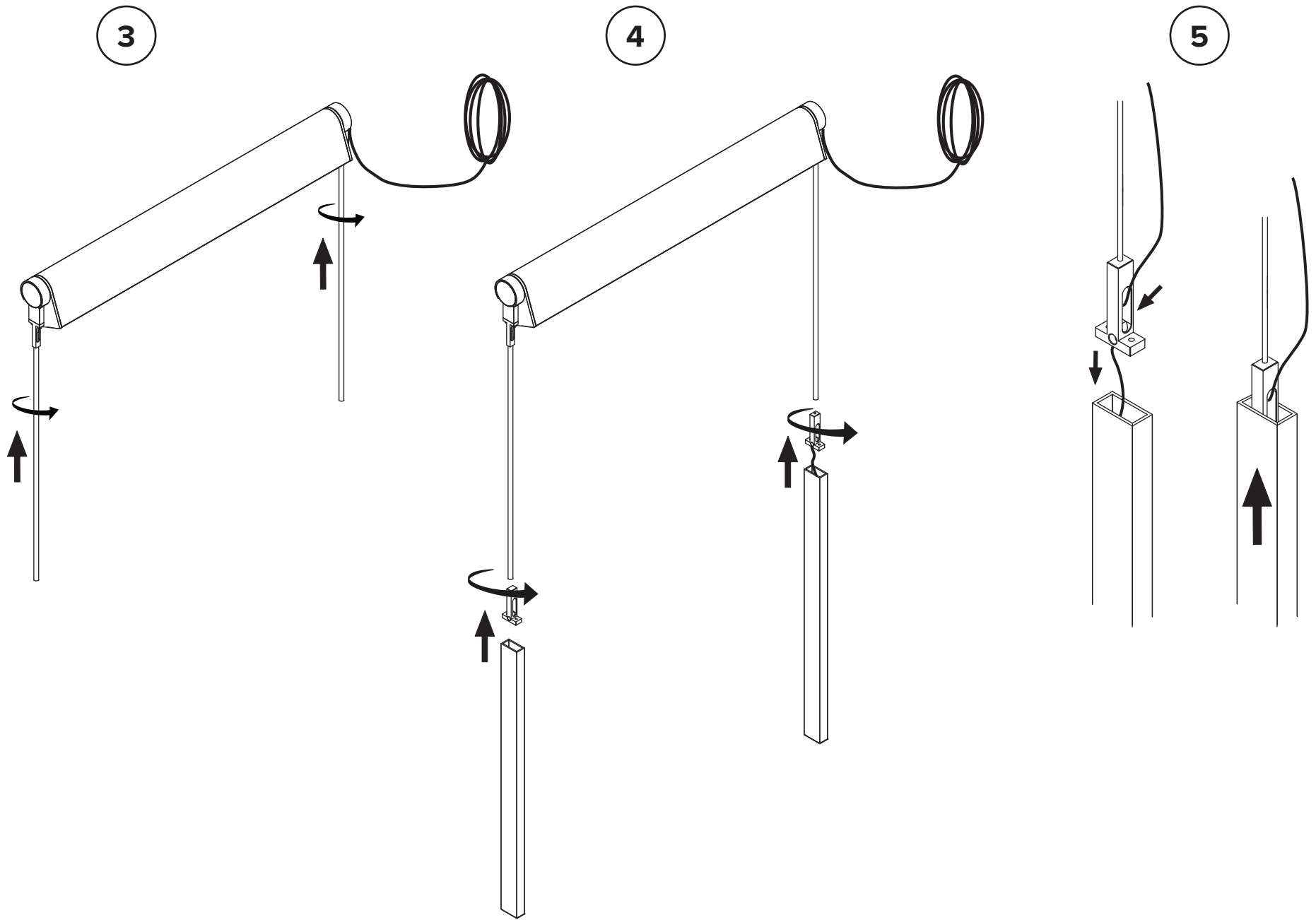
We recommend using 14 AWG wire to cover the distance between remote driver and luminaire.

There are no issues with voltage drop at distances of less than 200 ft. / 60m.

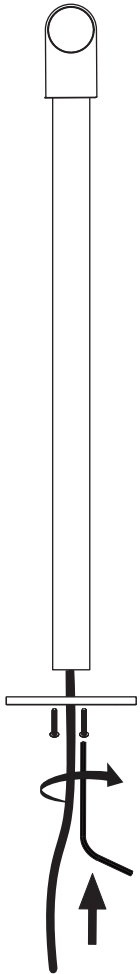
Must be accessible for maintenance. Driver enclosure not provided.



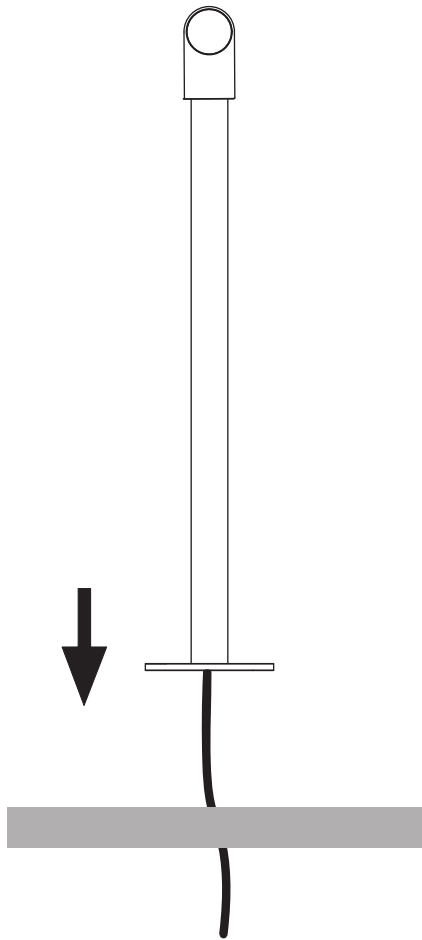
	UL phase dimming / 0-10V	CE phase dimming	CE DALI dimming
LENGTH	4.0" / 10.3 cm	4.0" / 10.2 cm	4.7" / 12.0 cm
WIDTH	1.0" / 2.6 cm	2.0" / 5.1 cm	2.0" / 5.1 cm
HEIGHT	0.9" / 2.4 cm	1.2" / 3.0 cm	1.2" / 3.0 cm



6



7



8

