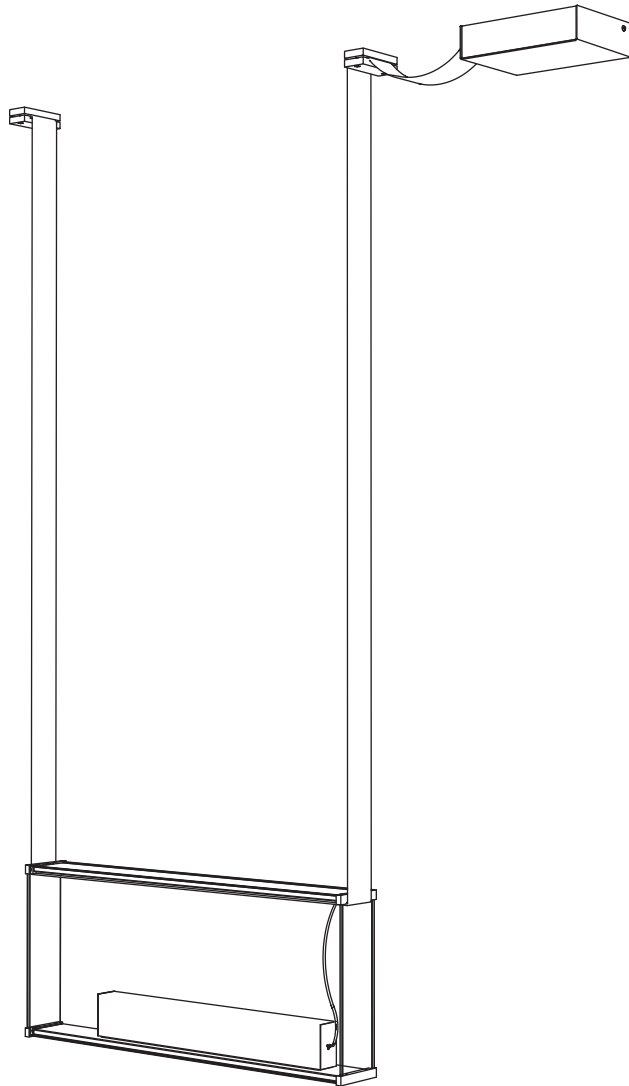


## SAINTE 32, 33, 35, AND 36



### **WARNING - ACRYLIC AND GLASS PRODUCT IMPORTANT NOTICE**

Take extra care when handling or moving the shade of the luminaire. Avoid touching it with any tools and keep away from any hard or abrasive surfaces (like rings, jewelry, watches, etc.). The edges and corners are especially fragile.

Keep the shade clean and wear gloves at all times. Do not put hands inside the shade unnecessarily. This will allow for less cleaning and less chance to damage the shade.

Read and follow all steps carefully allowing the appropriate time for each step. Rushing the installation may cause accidents or damage.



**NEVER TURN ON POWER SUPPLY UNTIL  
CONNECTIONS AND INSTALLATION ARE  
COMPLETED. DOING OTHERWISE COULD  
BE HARMFUL TO YOUR LUMINAIRE.**



- Please read entire manual before beginning installation
- To be installed by an electrician to an electrical box
- Use appropriate screws and anchors where necessary
- Wear enclosed gloves when handling lamp
- Handle materials with care. Please consult lamp maintenance sheet on our website

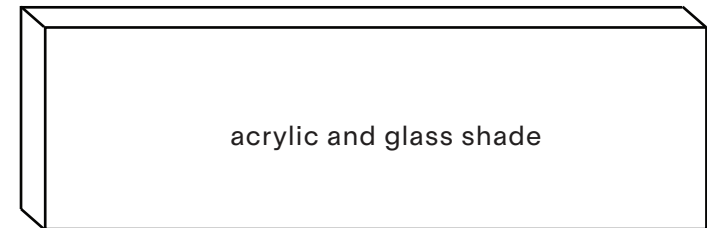
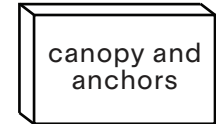
#### **WIRE CONNECTORS - NOT INCLUDED**

- Use only certified wire connectors appropriate for your region and suitable for the wire types and sizes involved
- All connections must comply with local electrical codes

**PLEASE NOTE**  
**ALL SAINTE MODELS FOLLOW**  
**THE SAME INSTALLATION PROCESS.**

Each luminaire comes shipped in three boxes.

To protect the luminaire do not open the boxes until the installation process requires it.



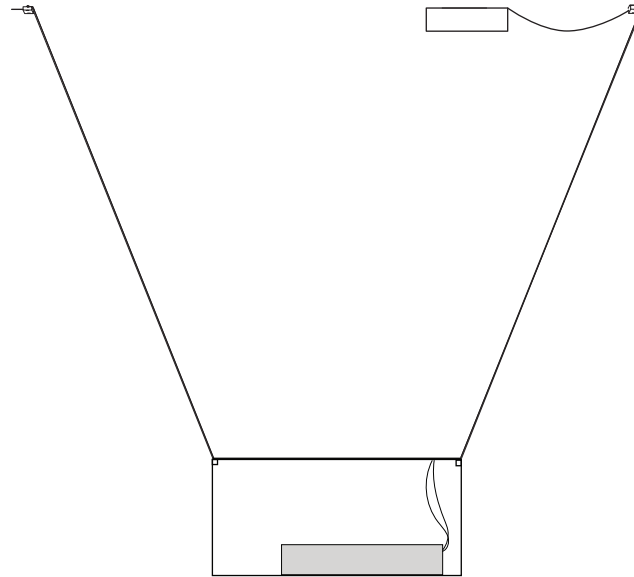
\*One pair of scissors has been provided for each order in an identified box. If you have ordered several Saintes, only one pair will be provided.

# INSTALL CEILING ANCHORS

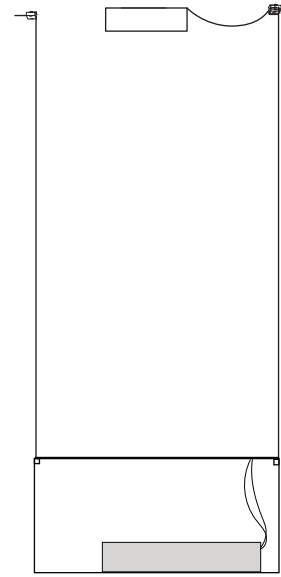
1

Determine the setup of your luminaire, either angled or parallel.

angled



parallel



OR

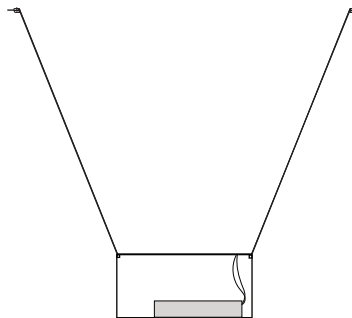
Choose the placement of your canopy, either exterior or interior

exterior

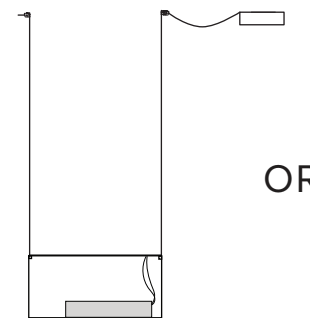
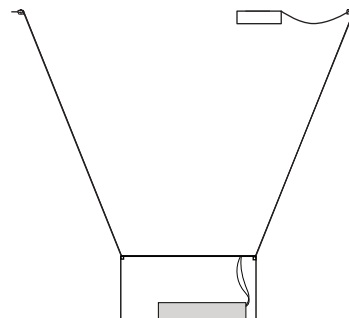
interior

exterior

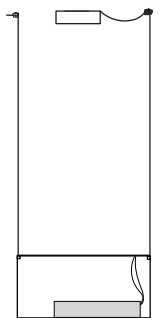
interior



OR



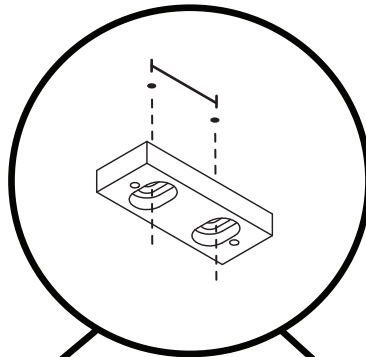
OR



2

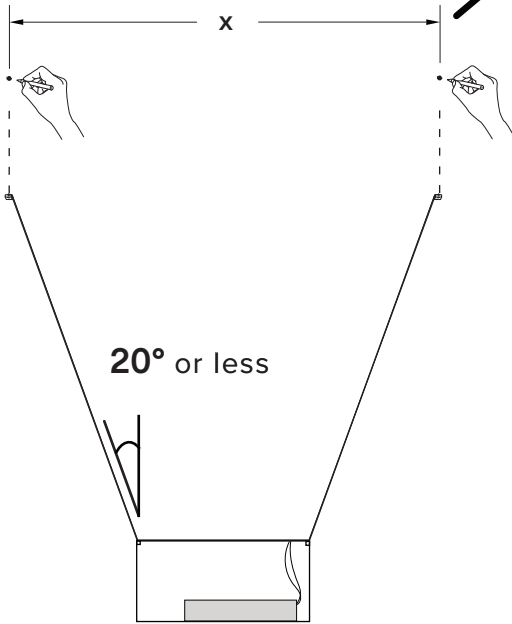
Mark your **X** dimension.

The distance is from center to center of each anchor.



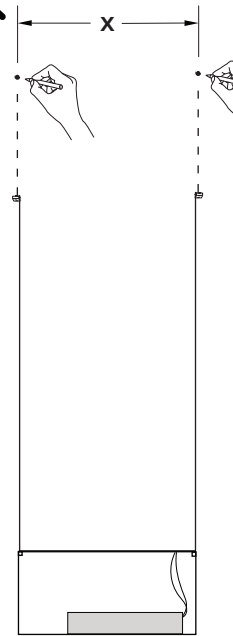
Use your anchor plate as a guide to make your marks.

**angled**



Choose your distance **X** for angled as long as it is less than 20°.

**parallel**

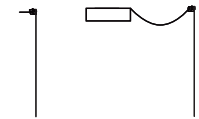


Note that dimensions vary for interior or exterior canopy.



**EXTERIOR CANOPY**

- X = SAINTE 32** 23 <sup>11</sup>/<sub>16</sub>" / 60.2 cm
- SAINTE 33** 16 <sup>7</sup>/<sub>16</sub>" / 49.4 cm
- SAINTE 35** 24 <sup>15</sup>/<sub>16</sub>" / 63.4 cm
- SAINTE 36** 37 <sup>7</sup>/<sub>16</sub>" / 95.1 cm



**INTERIOR CANOPY**

- X = SAINTE 32** 22 <sup>3</sup>/<sub>8</sub>" / 56.9 cm
- SAINTE 33** 15 <sup>1</sup>/<sub>8</sub>" / 38.4 cm
- SAINTE 35** 23 <sup>5</sup>/<sub>8</sub>" / 60 cm
- SAINTE 36** 36 <sup>1</sup>/<sub>8</sub>" / 91.8 cm

3

Install the aluminum ceiling anchors.

\* Use appropriate mounting hardware (not provided) for the weight of your luminaire

SAINTE 32 13.7 lb / 6.2 kg

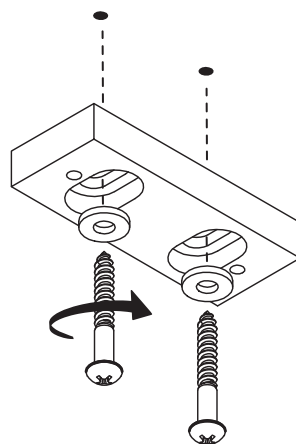
SAINTE 33 11.2 lb / 5.1 kg

SAINTE 35 10.4 lb / 4.7 kg

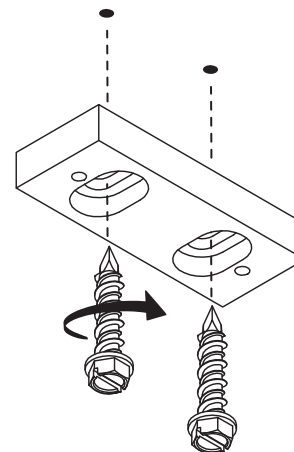
SAINTE 36 14.1 lb / 6.4 kg



Make sure screw heads are fully immersed into the holes.

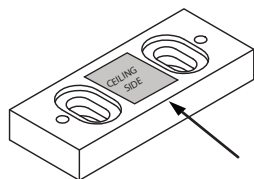


OR



Assemble with n.8 - 4 mm screws (not provided) and washers (included)

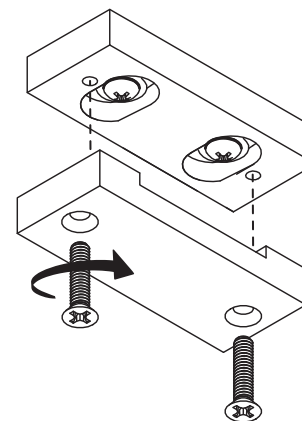
Assembly with Tapcon no washers required



Note the ceiling side of the anchor is clearly labelled with a sticker.

4

Partially screw the top plate of the anchor to temporarily allow the ribbon to freely pass through.

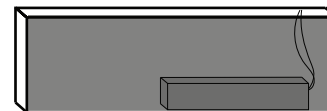


# DETERMINE ORIENTATION OF THE ACRYLIC SHADE AND THE ELECTRICAL SIDE

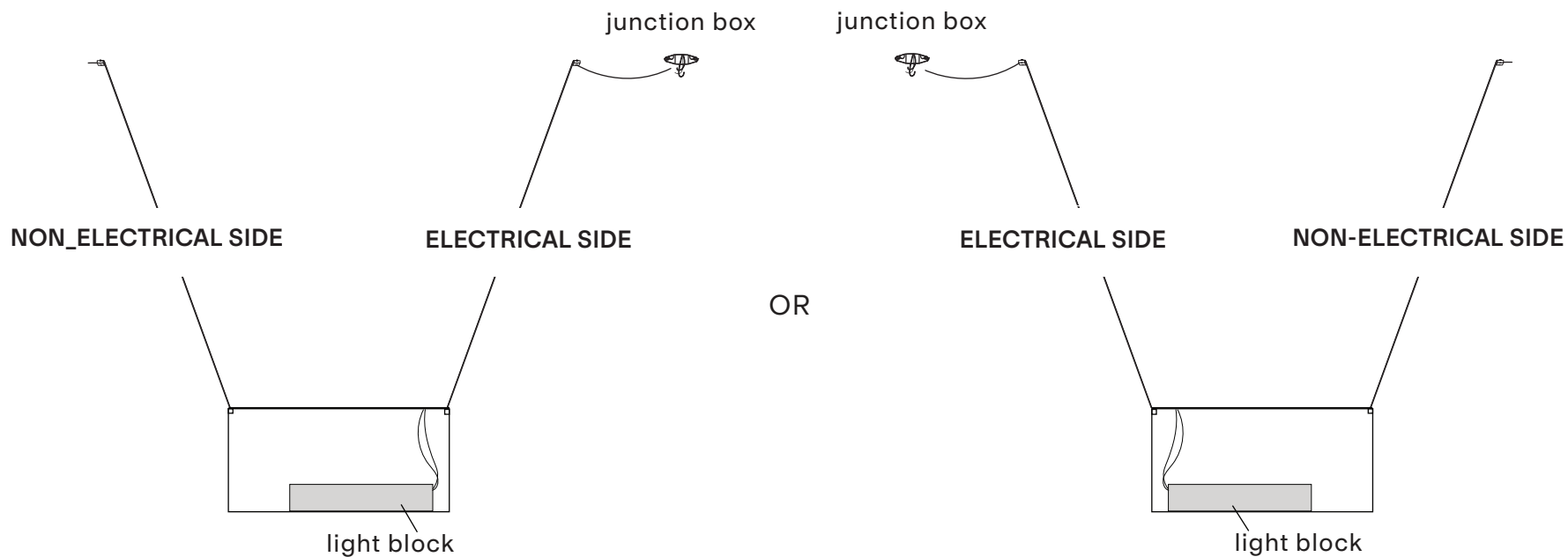
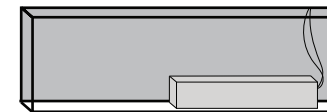
5

The light block should be on the same side as your junction box

Choose the orientation for shades with different finishes on both sides.

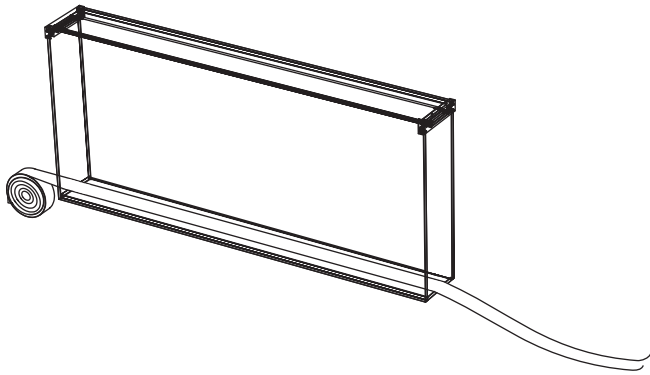


OR

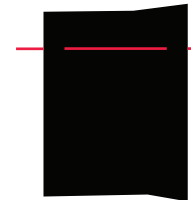
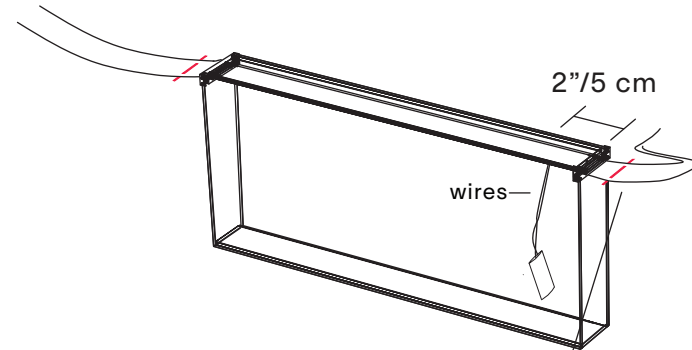


6

Place the shade on a flat, non abrasive surface. Undo twist ties and un-roll the ribbon into the shade.



Pull ribbon until the shade is centered in between the two positioning threads. The wires should be approximately 2"/5cm from the edge of the acrylic.



Do not remove positioning thread until the installation is complete.

# INSTALL THE LUMINAIRE

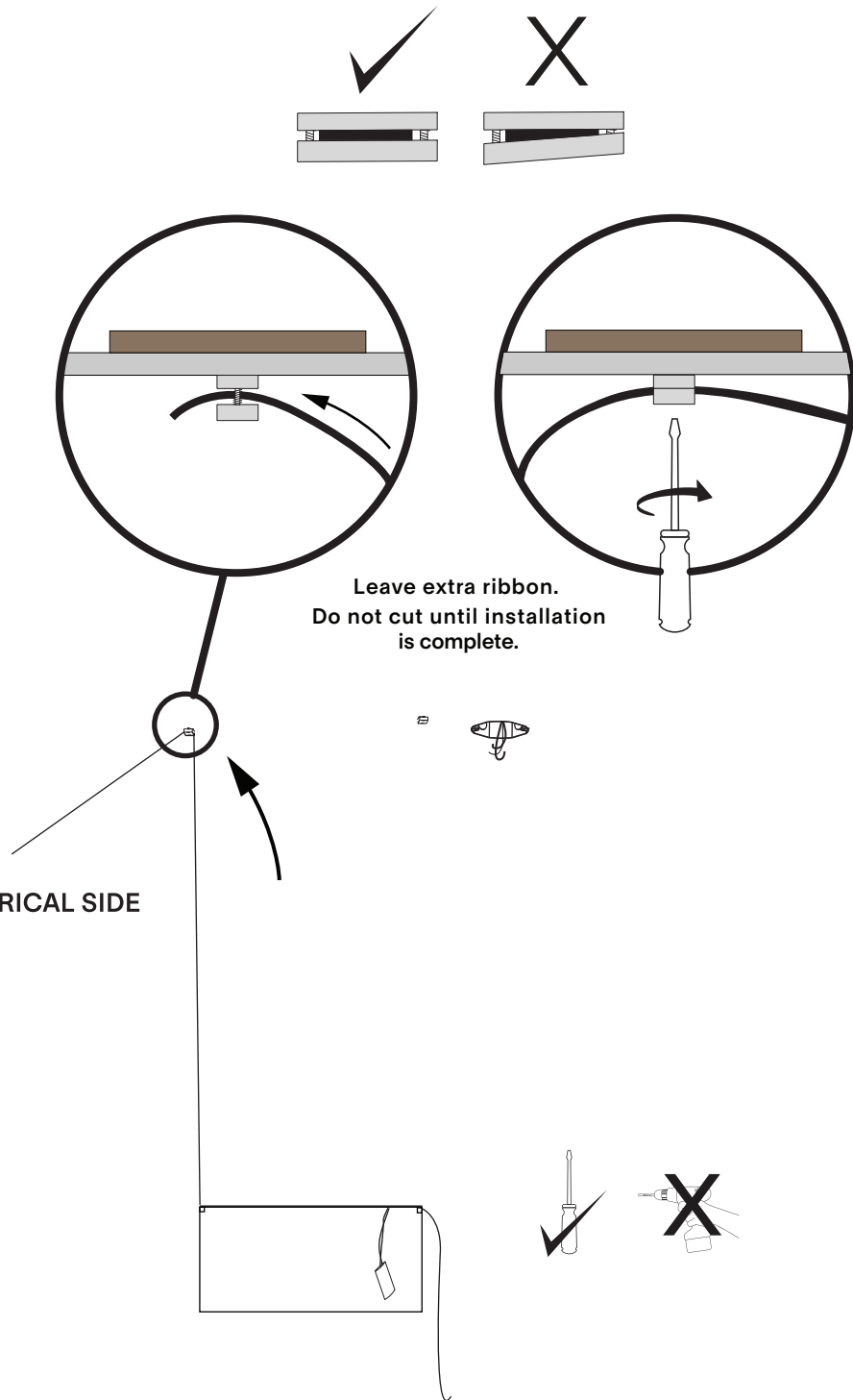
7

Pass the ribbon through the non-electrical side anchor. Tighten ceiling anchor when desired length is achieved.

Make sure there are no twists in the ribbon.



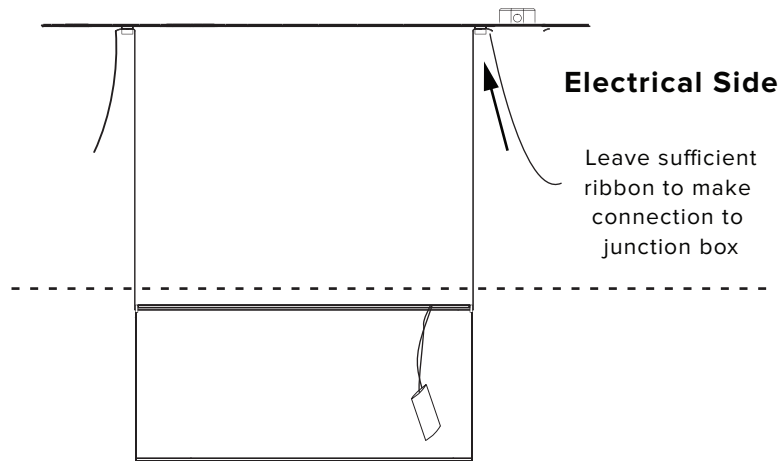
NON-ELECTRICAL SIDE



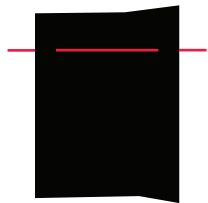
8

While the shade is being held by two people, pass the ribbon through the other ceiling anchor and tighten the anchor on the electrical side when desired length is reached. Use positioning thread to determine proper height.

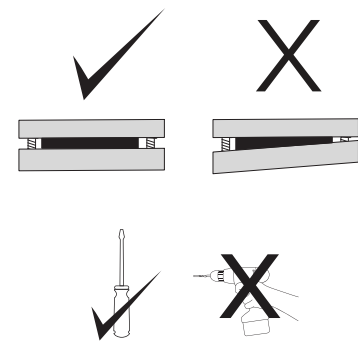
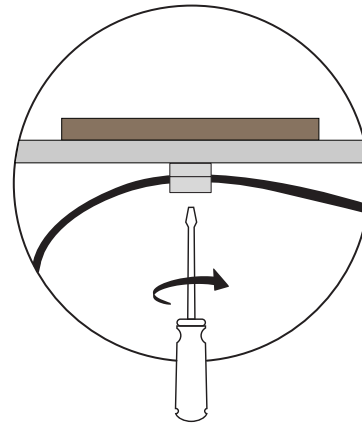
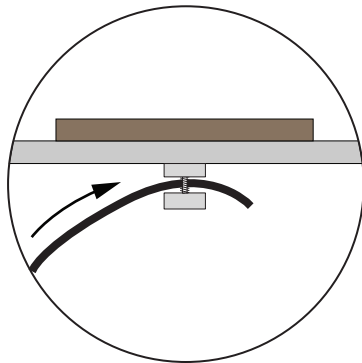
Make sure there are no twists in the ribbon.



**Positioning thread**



Do not remove positioning thread until the installation is complete.

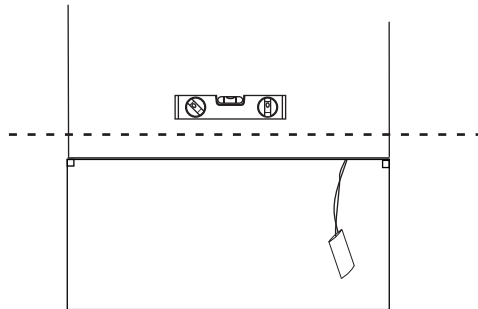


**SCREW FIRMLY**

9

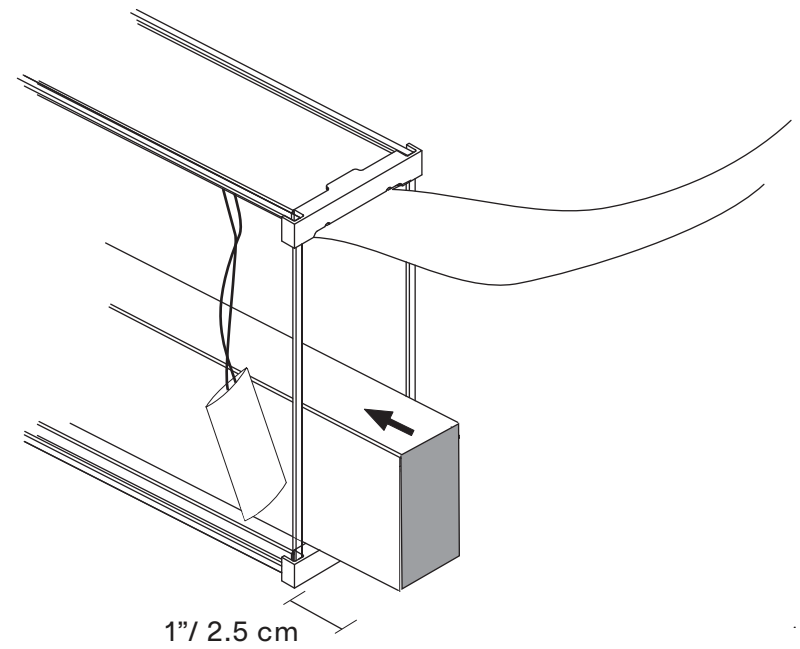
Ensure that the shade is level and centered in between the positioning threads. If needed, adjust height.

Make sure to not scratch or damage your shade.



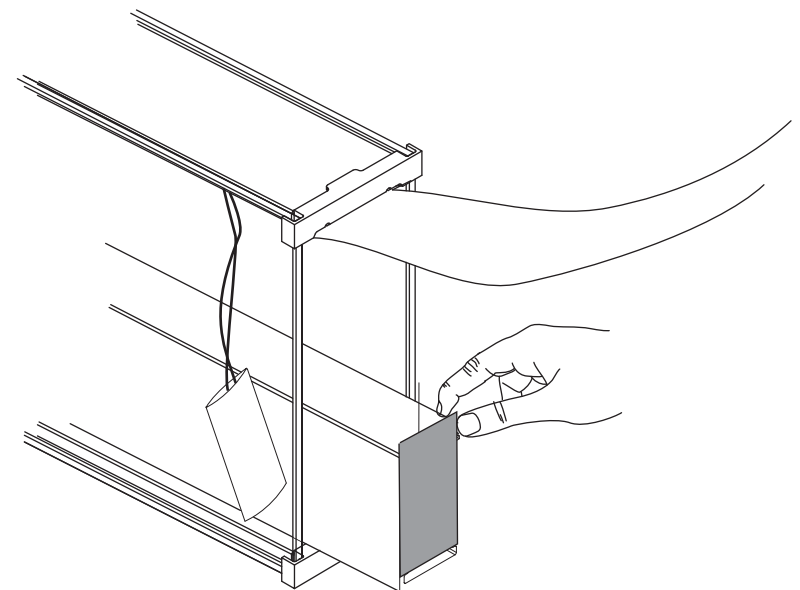
10

Insert light block into shade and leave it sticking out 1" / 2.5 cm from the edge.



11

Remove protective tape.

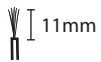


12

Remove end cap from foam pouch.

Make connection with connectors.

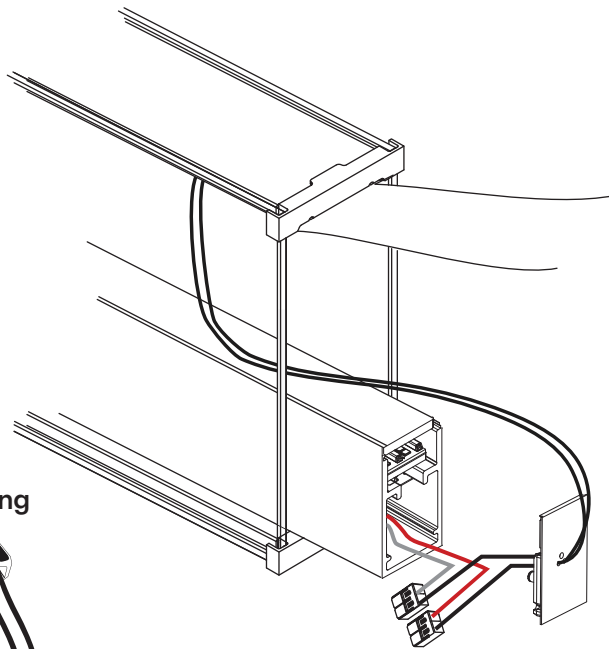
Low voltage wiring



red to grey  
(+)

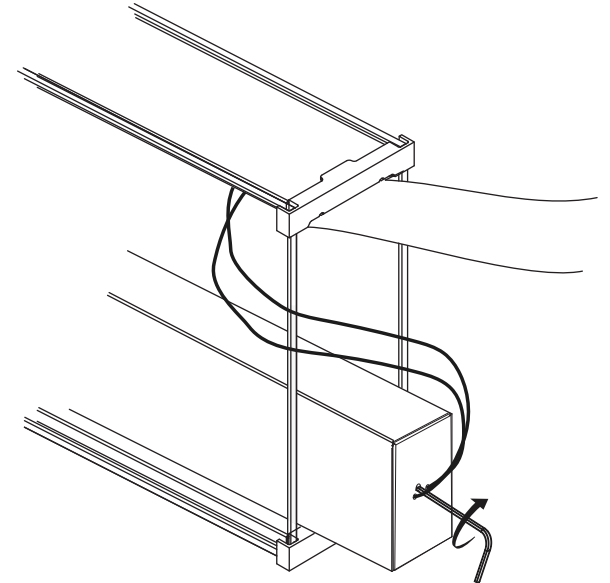


black to black  
(-)



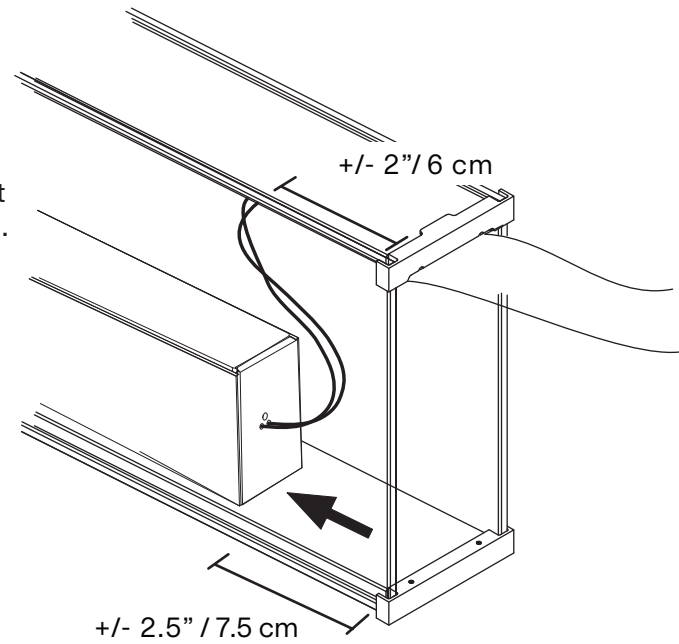
13

Carefully secure the endcap with the screw provided in the hardware baggie.



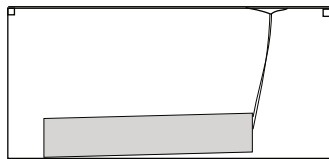
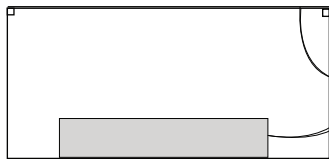
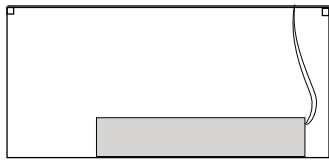
14

Carefully slide the light block inside the shade.



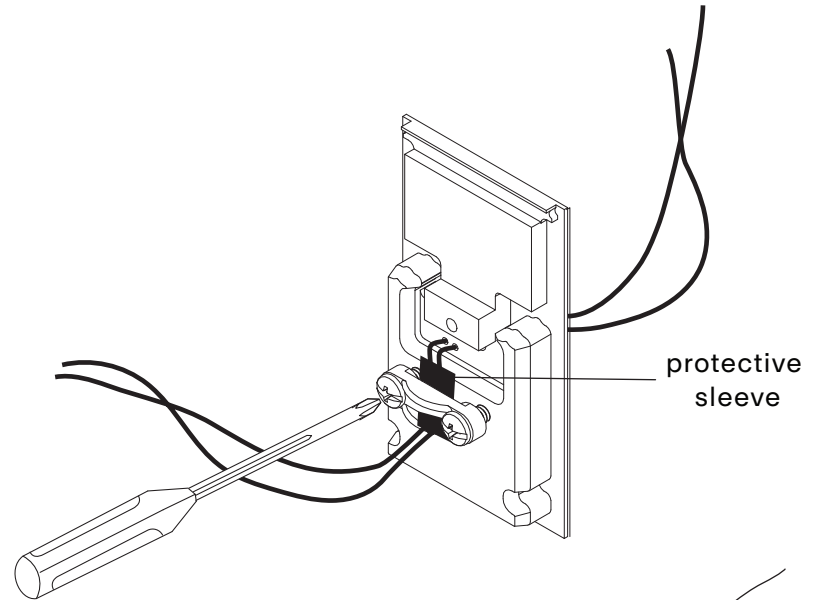
Make sure the wires do not stick out past the edge of the shade and that they sit properly.

Ensure wires have an aesthetically pleasing shape.

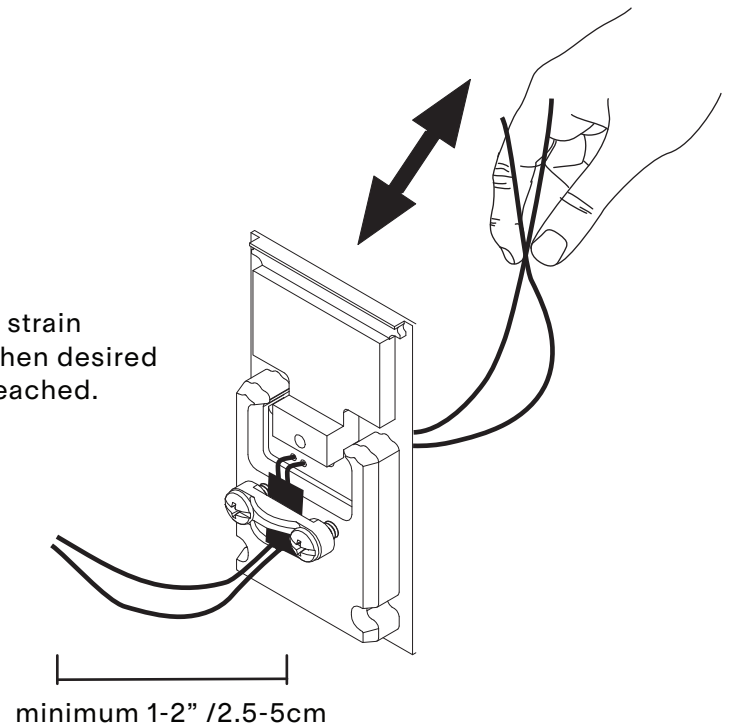


If your wires are too short or too long, unscrew end cap, loosen strain relief screws on, pull wires out further while making sure the protective sleeve stays under the strain relief.

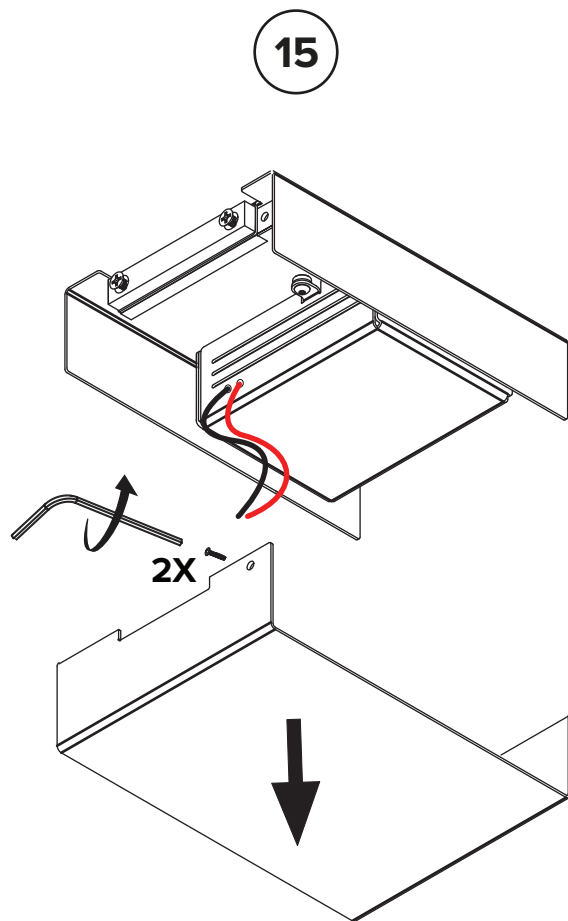
## Pull out / push in extra wires



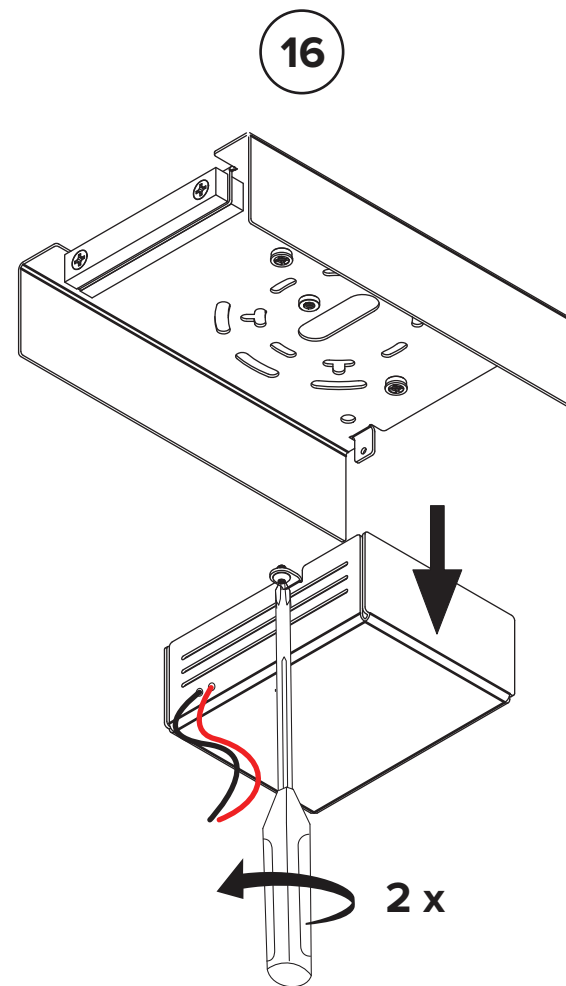
Retighten strain relief screws when desired length is reached.



# OPEN THE CANOPY



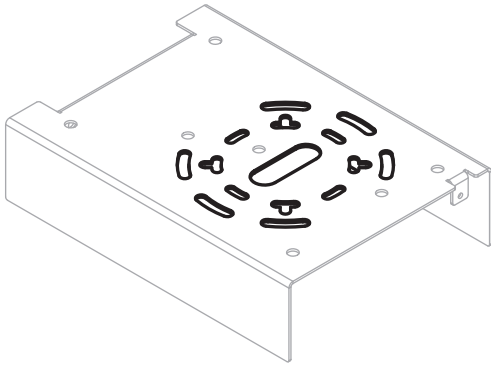
Remove the screws in the front and back of the canopy cover and lower it.



# MOUNT CANOPY BRACKET

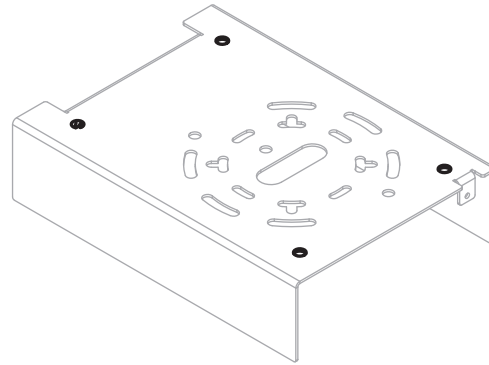
17

Ensure that the strain relief plate faces the lamp electrical side of the lamp ribbon.

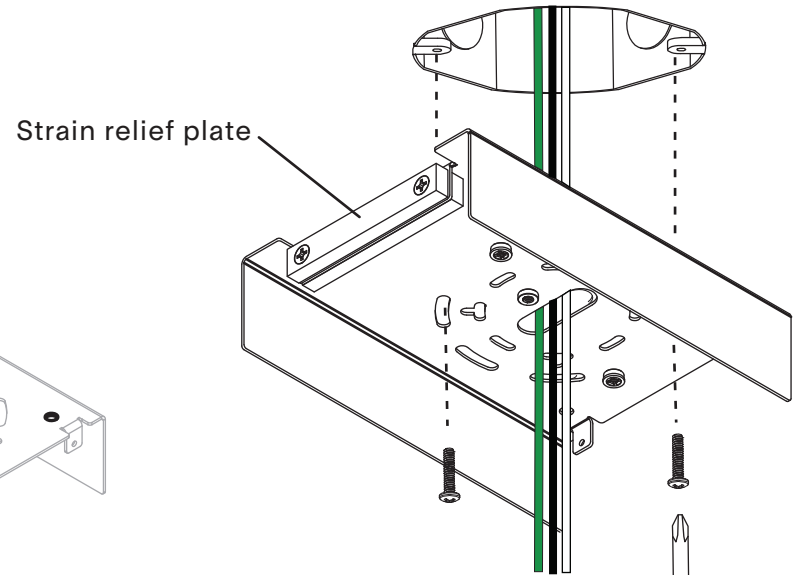


**To junction box**  
\*if the pattern does not fit your junction box, use the other installation method

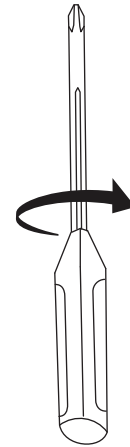
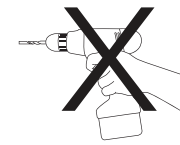
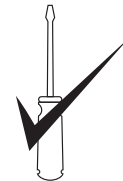
**OR**



**Directly to the ceiling**  
\*use appropriate anchors



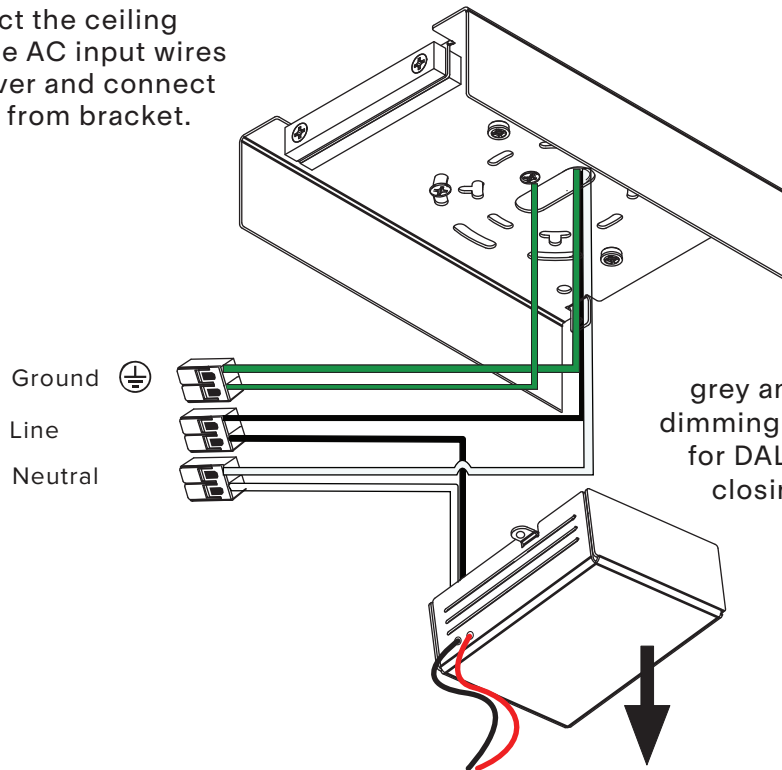
**Ensure no wires are clipped or pinched during these steps.**



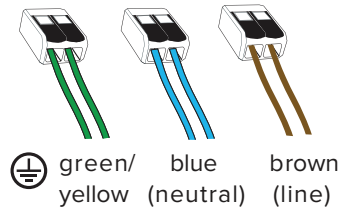
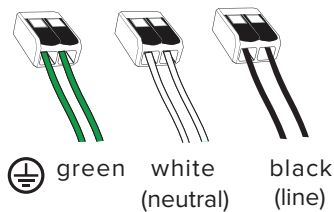
# MAKE LINE/MAIN VOLTAGE CONNECTION TO ELECTRICAL BOX (AC)

18

Connect the ceiling wires to the AC input wires of the driver and connect ground from bracket.

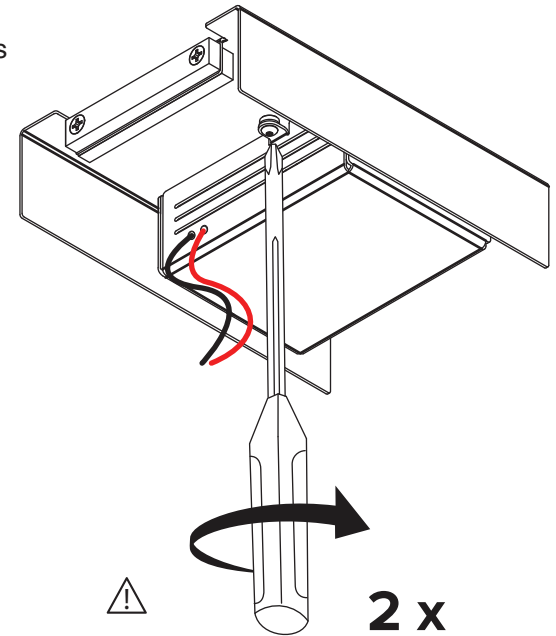


If applicable, use grey and purple wires for 0-10V dimming circuit, or the orange wires for DALI dimming circuit before closing the driver enclosure.



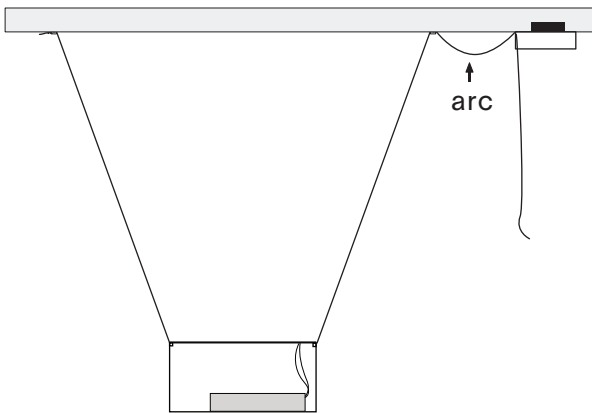
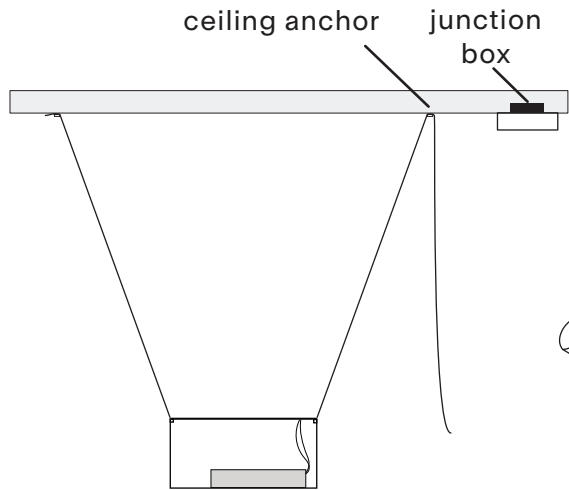
19

Carefully close driver enclosure. It is held by two screws.

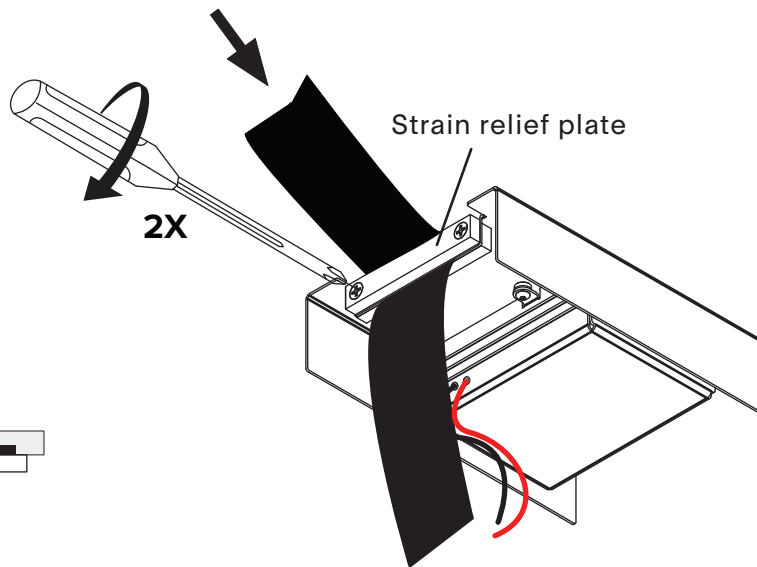


⚠ Ensure no wires are damaged during these steps.

2 x

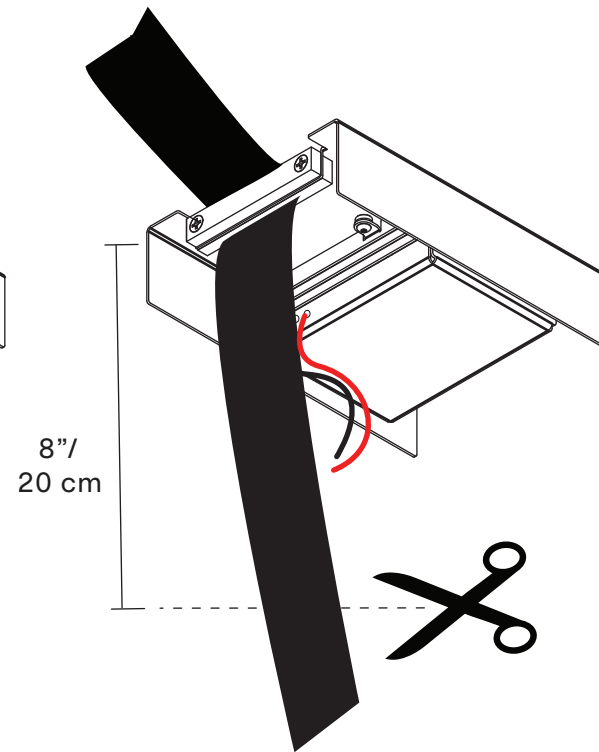


20



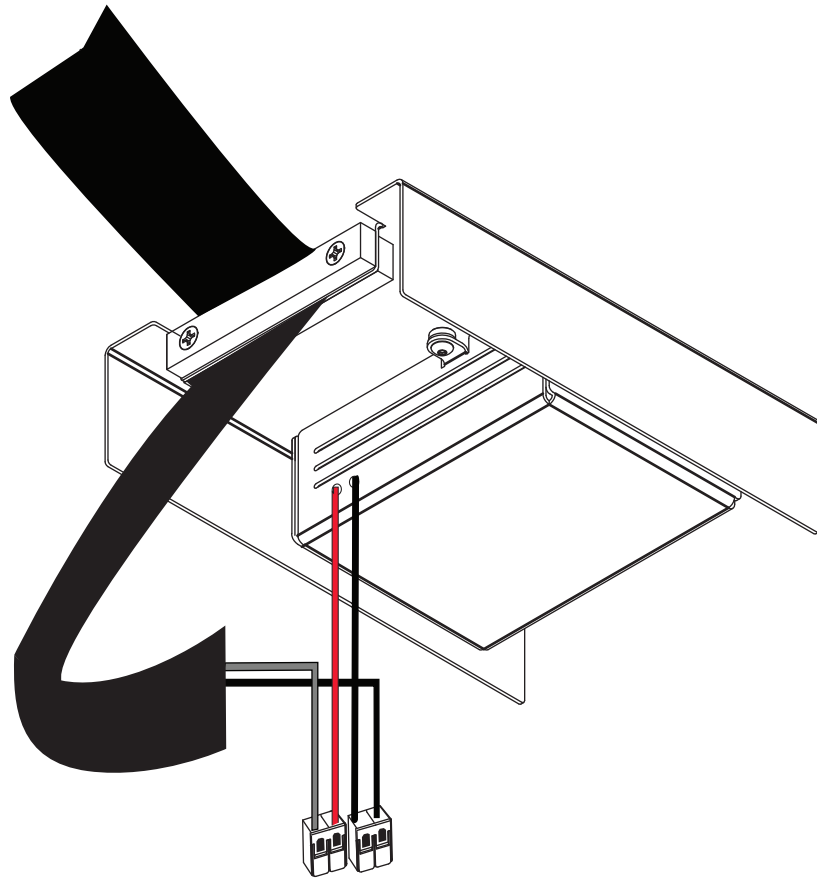
Screw gently but firmly by alternating between one screw and the other.

21



# MAKE CONNECTIONS TO LUMINAIRE

22



## Low voltage wiring

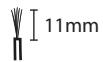
Follow instructions on driver for connections.



grey (+)



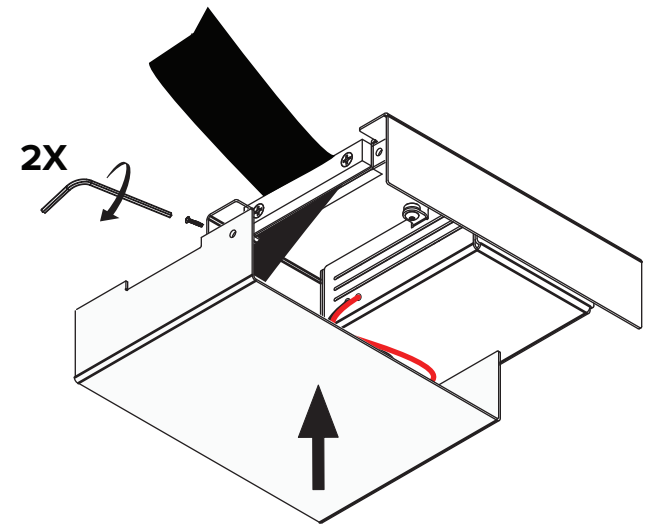
black (-)



11mm

23

Carefully fold up extra ribbon within the housing.

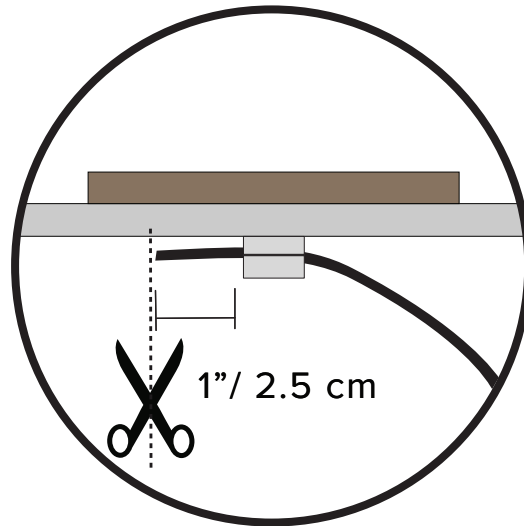


Note, one side of canopy cover is slotted for the ribbon

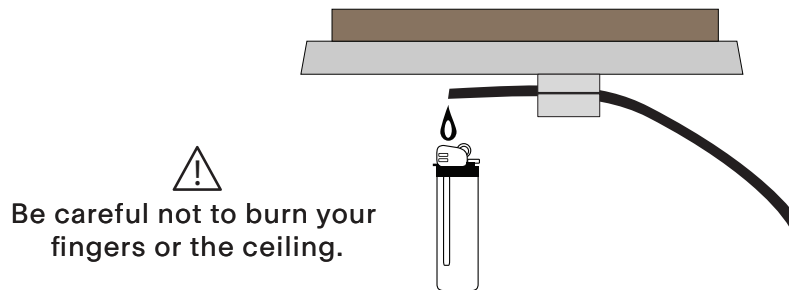
# FINAL VERIFICATION

24

When the luminaire is at the desired height and level, trim ribbon 1" / 2.5 cm after the anchor.

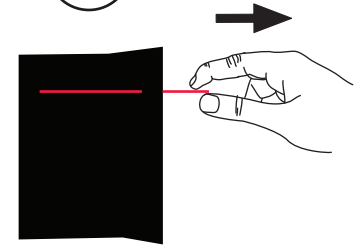


The extremity of the trimmed ribbon can be melted with the flame of a lighter for a few seconds to prevent fraying.



Be careful not to burn your fingers or the ceiling.

25



Pull out positioning thread

26

To clean finger prints, smudges or dirt on the glass or acrylic, gently and very carefully clean the inside and outside of the shade using water and a microfiber cloth, then a dry microfiber cloth.

Do not use abrasive products or contaminated cloth as it could result in scratches on the surface!



**AVOID LIQUIDS  
ON THE RIBBON, WIRES  
AND LIGHT BLOCK**

