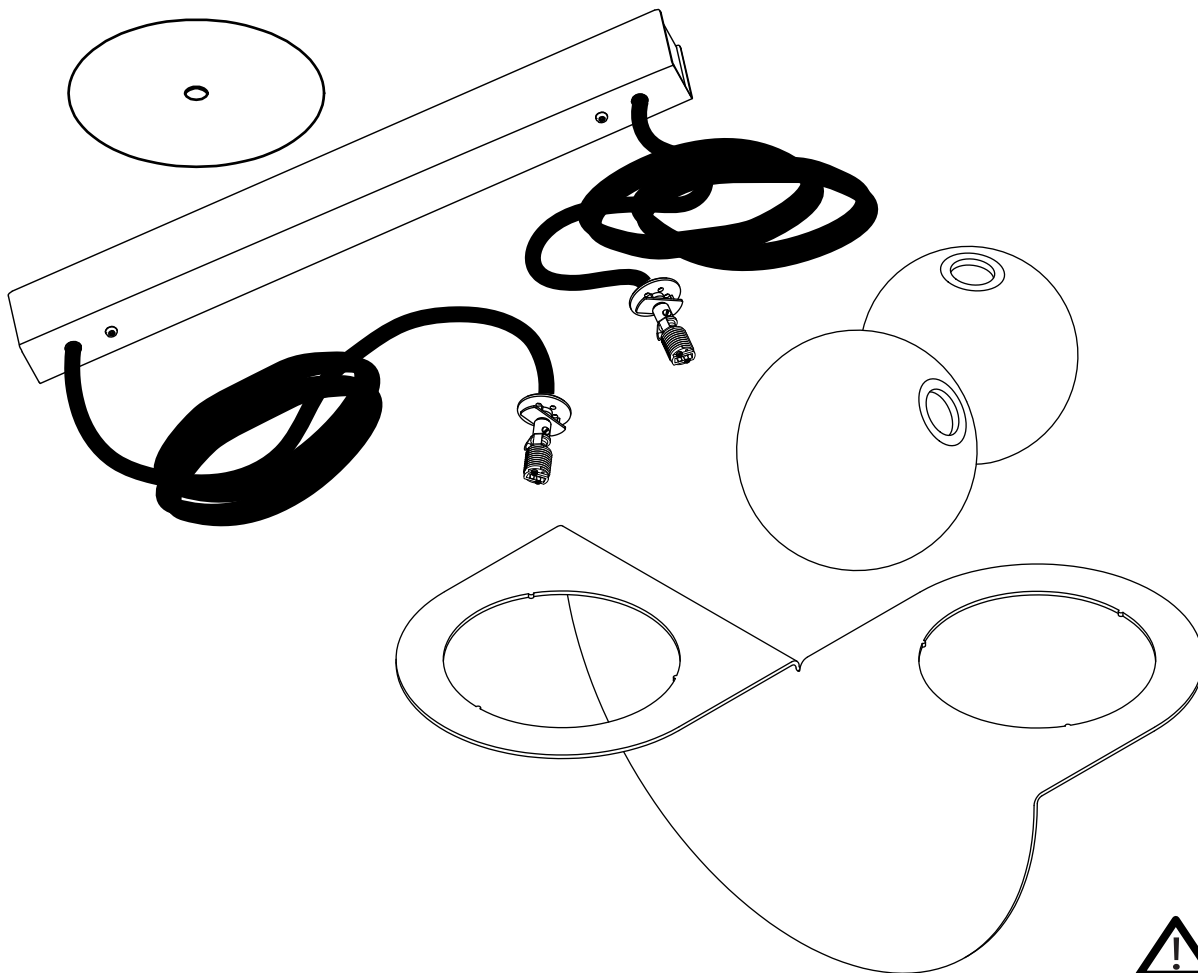
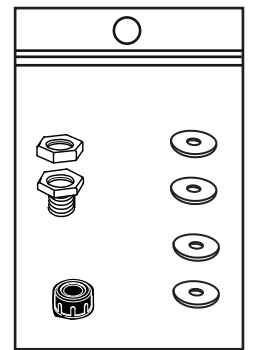
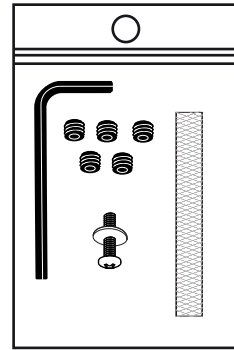


# LAURENT PARALLEL



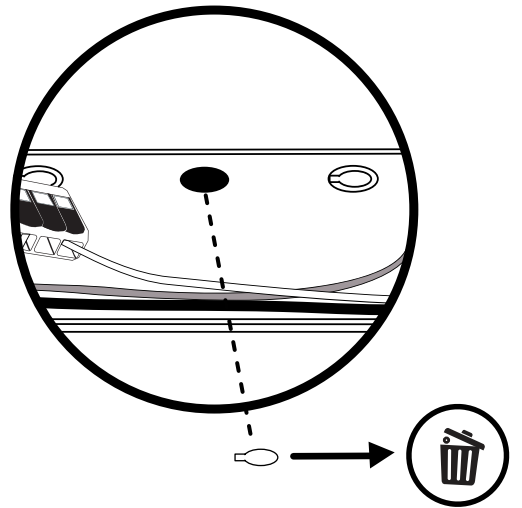
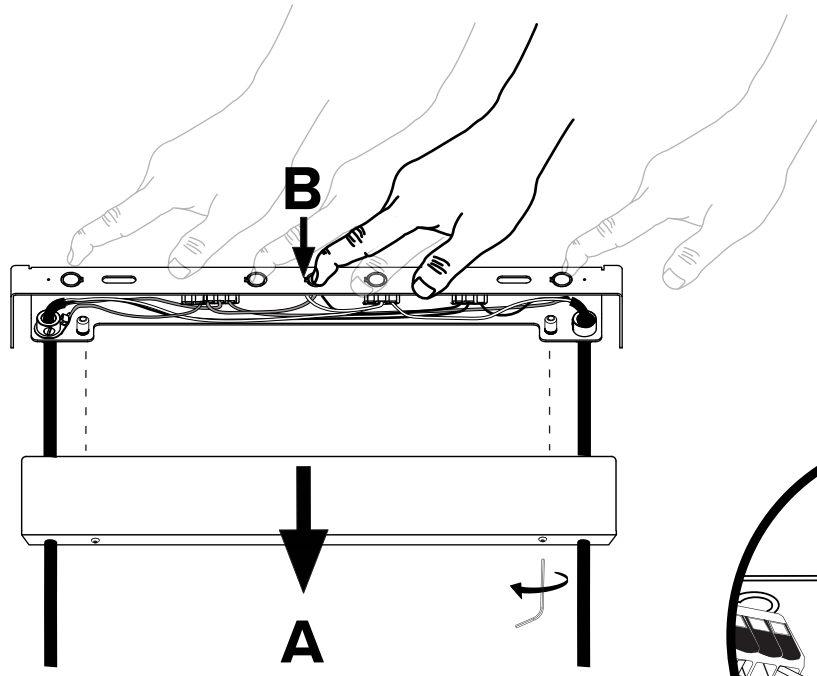
- To be installed by an electrician to an electrical box
- Use appropriate screws and anchors where necessary
- Wear enclosed gloves when handling lamp
- Handle materials with care. Please consult lamp maintenance sheet on our web site
- Should be used exclusively as a lamp and not as a shelving, display or hanging unit



## PLEASE NOTE

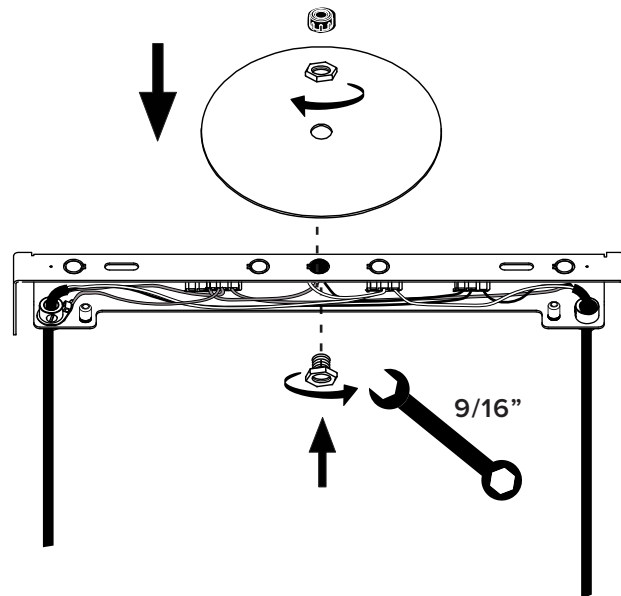
THIS IS AN EXAMPLE OF THE LRT 01.  
HOWEVER, ALL MODELS FOLLOW  
THE SAME INSTALLATION PROCESS.

1

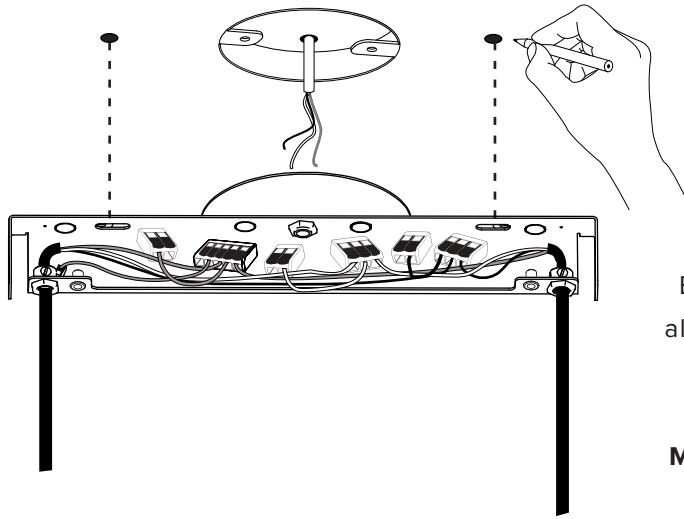


Knockout selected hole depending on desired electrical box alignment.

2



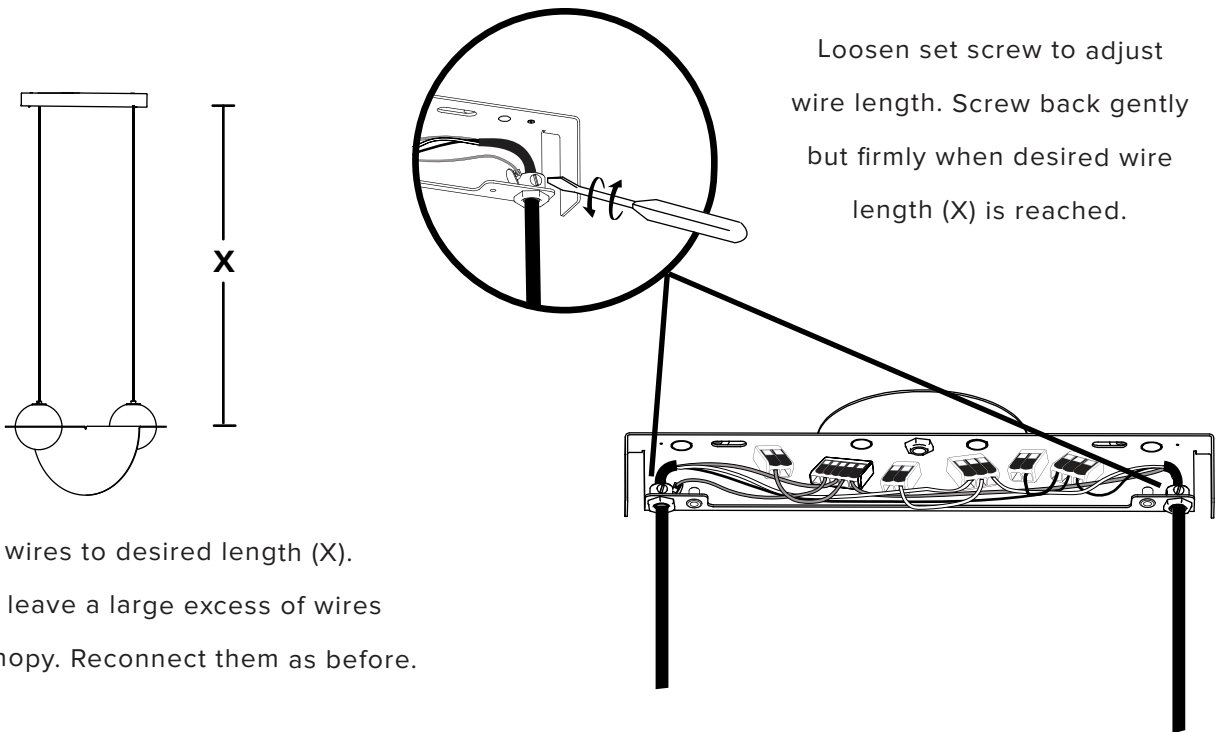
3



Before marking your anchor locations, align the ceiling bracket with the center of your junction box.

**Make sure to use appropriate anchors for ceiling material.**

4



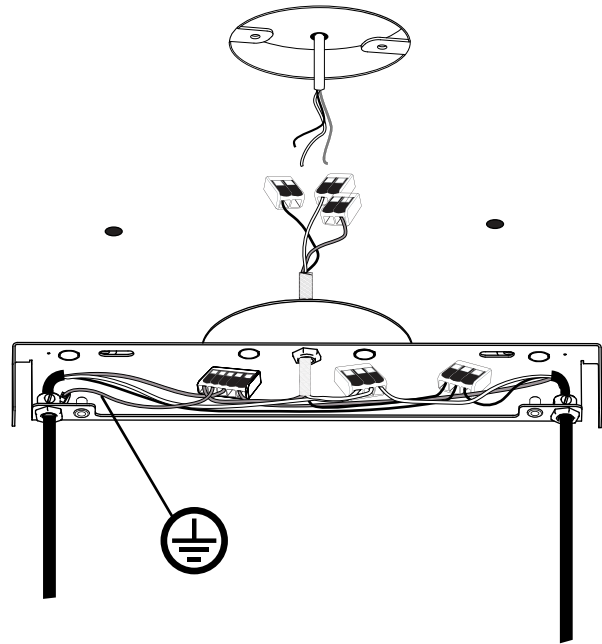
Loosen set screw to adjust wire length. Screw back gently but firmly when desired wire length (X) is reached.

Trim wires to desired length (X).  
Do not leave a large excess of wires inside canopy. Reconnect them as before.

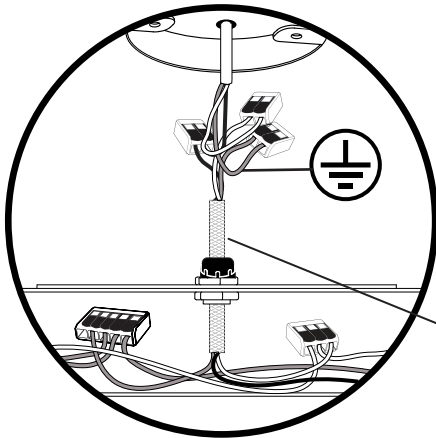
5

Make connection in the identified wagos.

Unclip the three wagos, feed the wires through the chosen wire exit and then reclip the wagos.

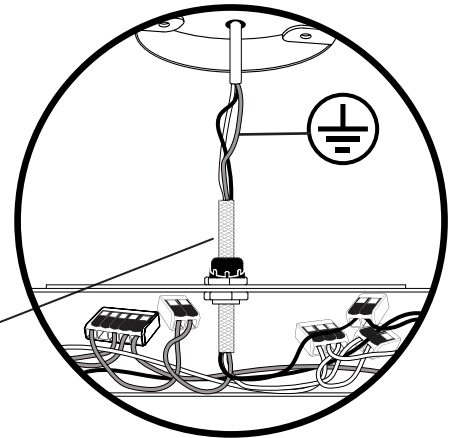


Recommended



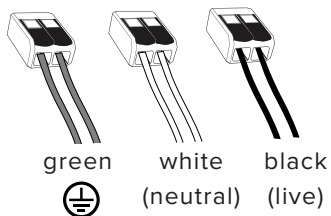
Insert provided fiberglass heat sleeve before making your connection.

OR



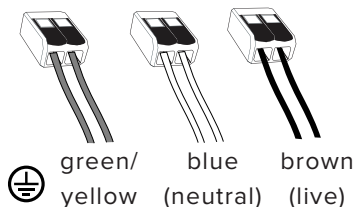
Only possible if wires are fixed and if wires are 0.20 to 4mm<sup>2</sup> (20 to 12 gauge) solid or stranded.

cUL<sup>us</sup>  
LISTED



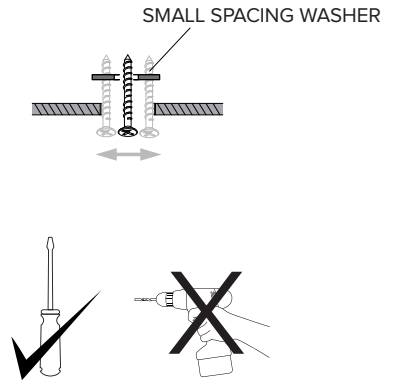
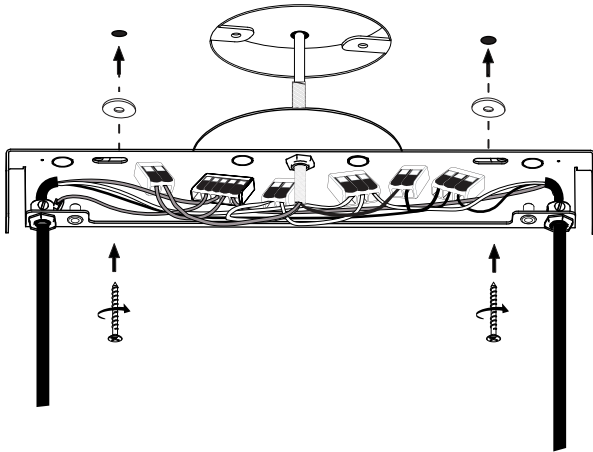
6mm

CE



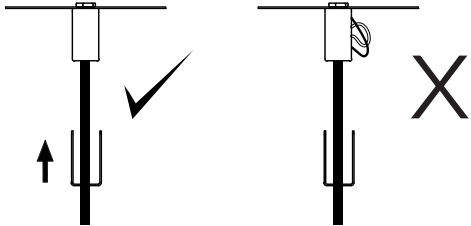
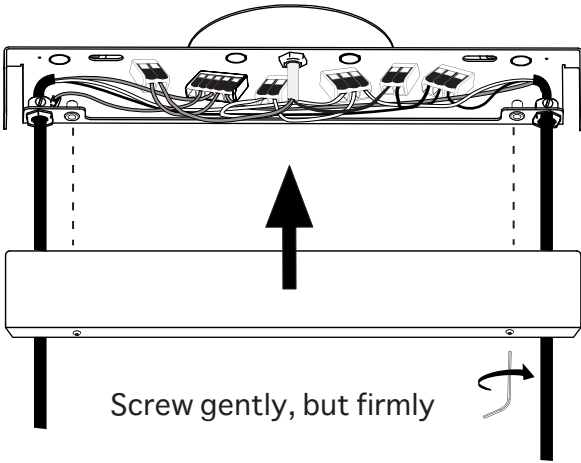


6



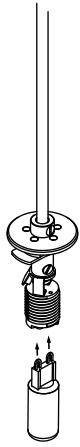
Avoid scuffing wires during this operation.

7

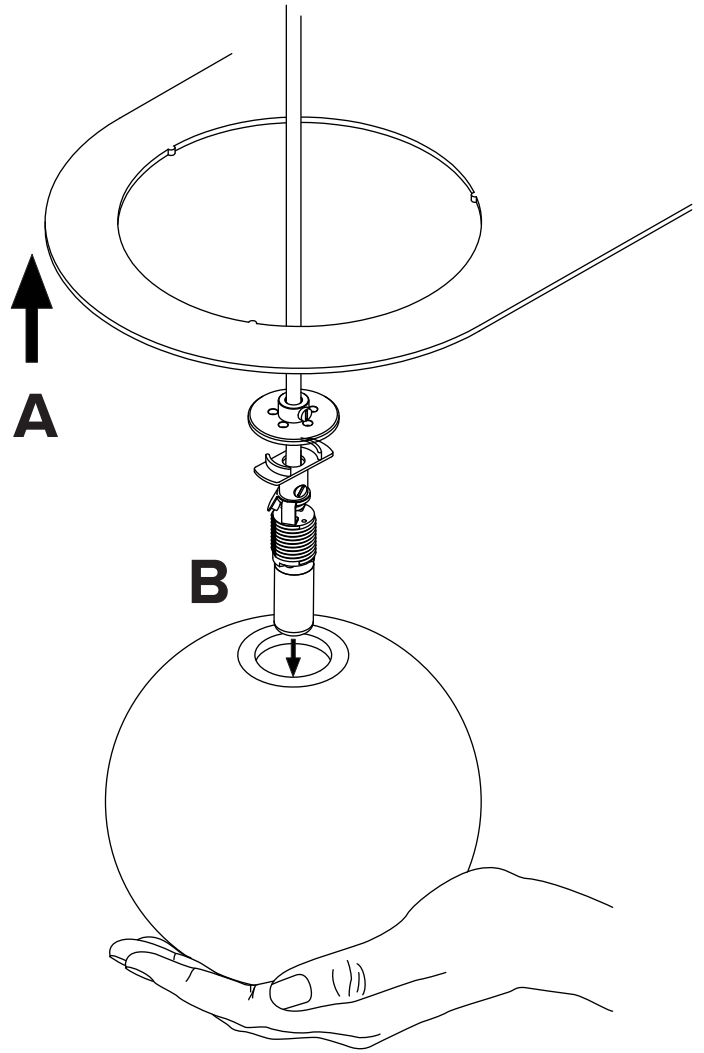


Ensure no wires are clipped or pinched during this operation.

8

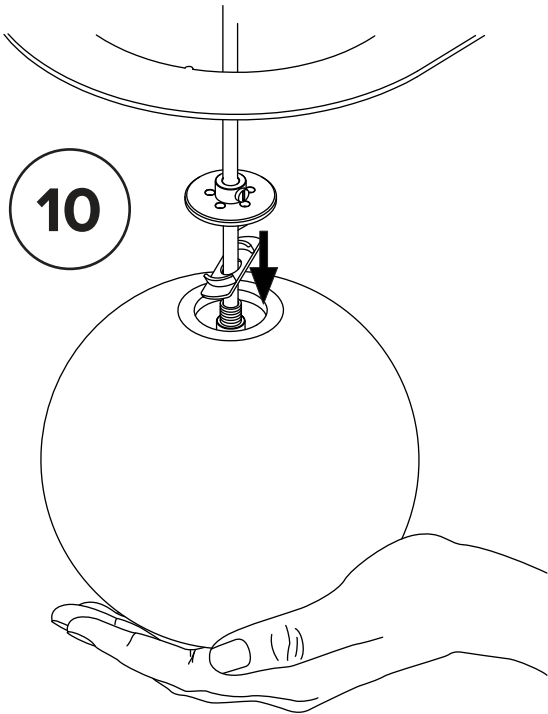


9

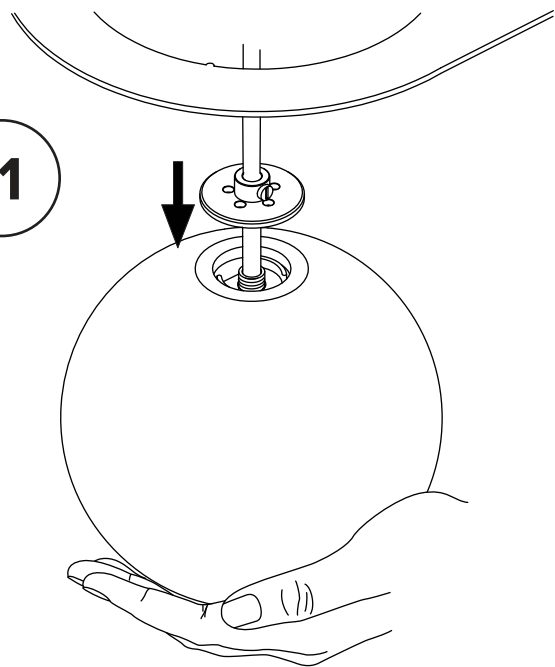


To ensure safety,  
**PLEASE FOLLOW THESE STEPS  
CAREFULLY**

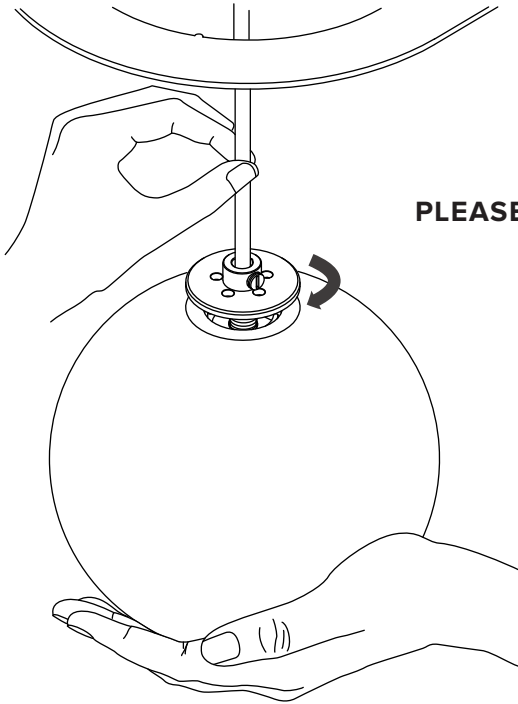
10



11



12

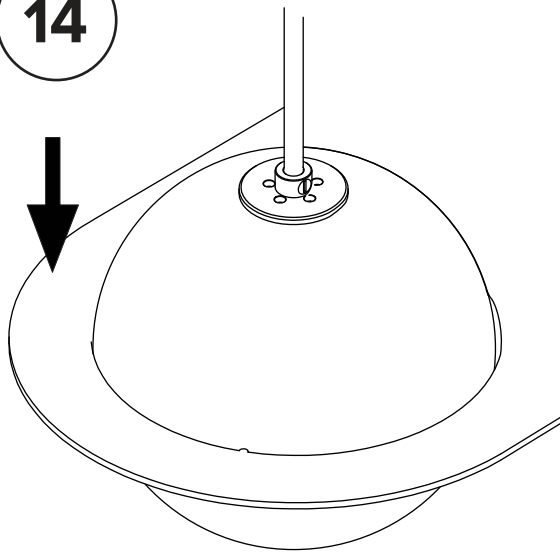


13

To ensure safety,  
**PLEASE FOLLOW THESE STEPS  
CAREFULLY**



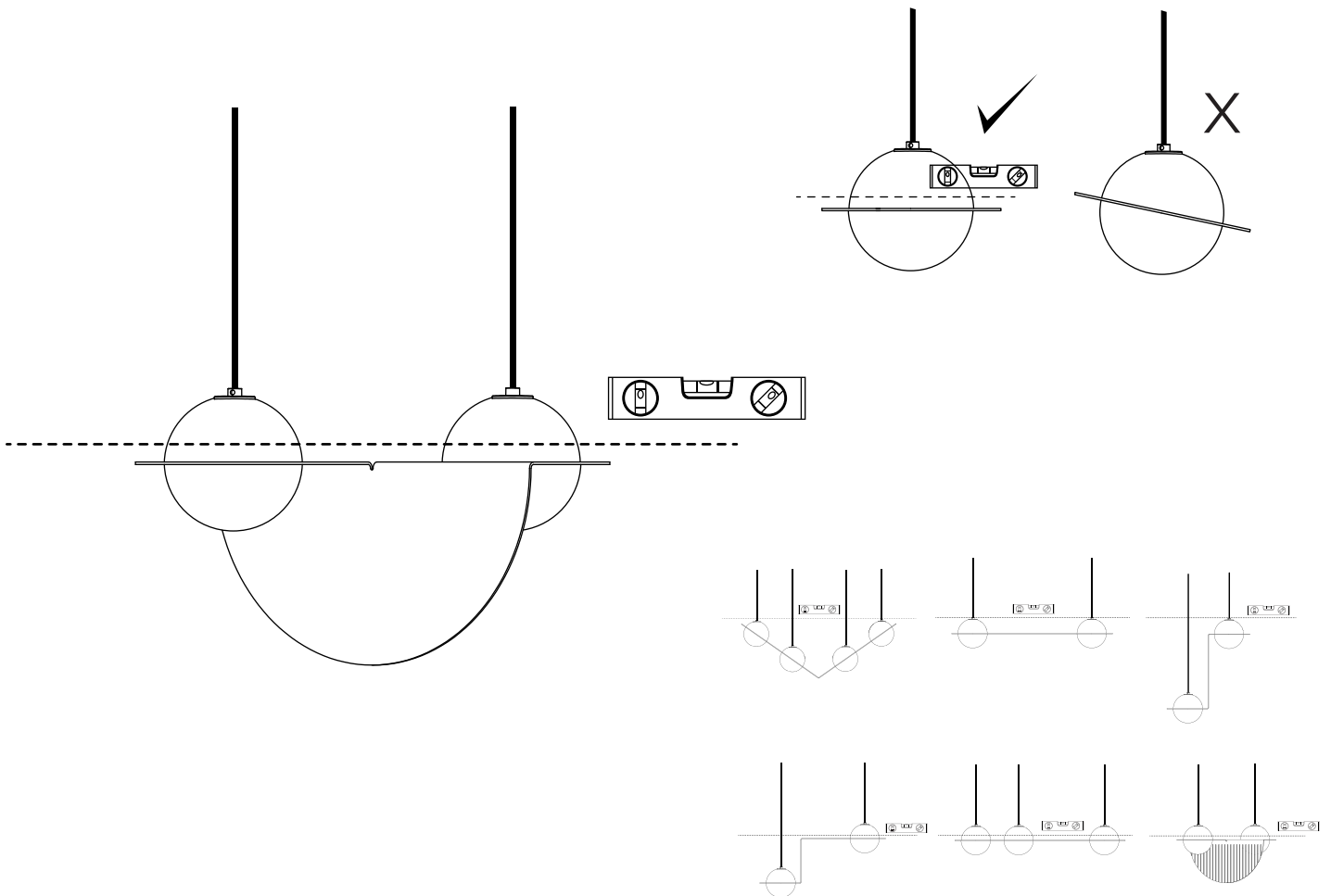
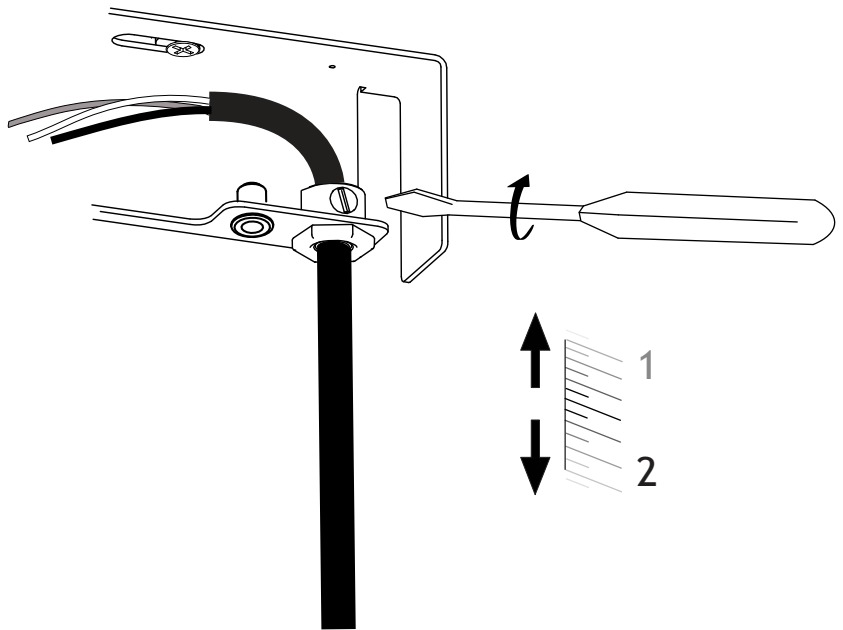
14



15

Make sure the globes are level by micro-adjusting the wire lengths.

**SCREW GENTLY BUT FIRMLY**

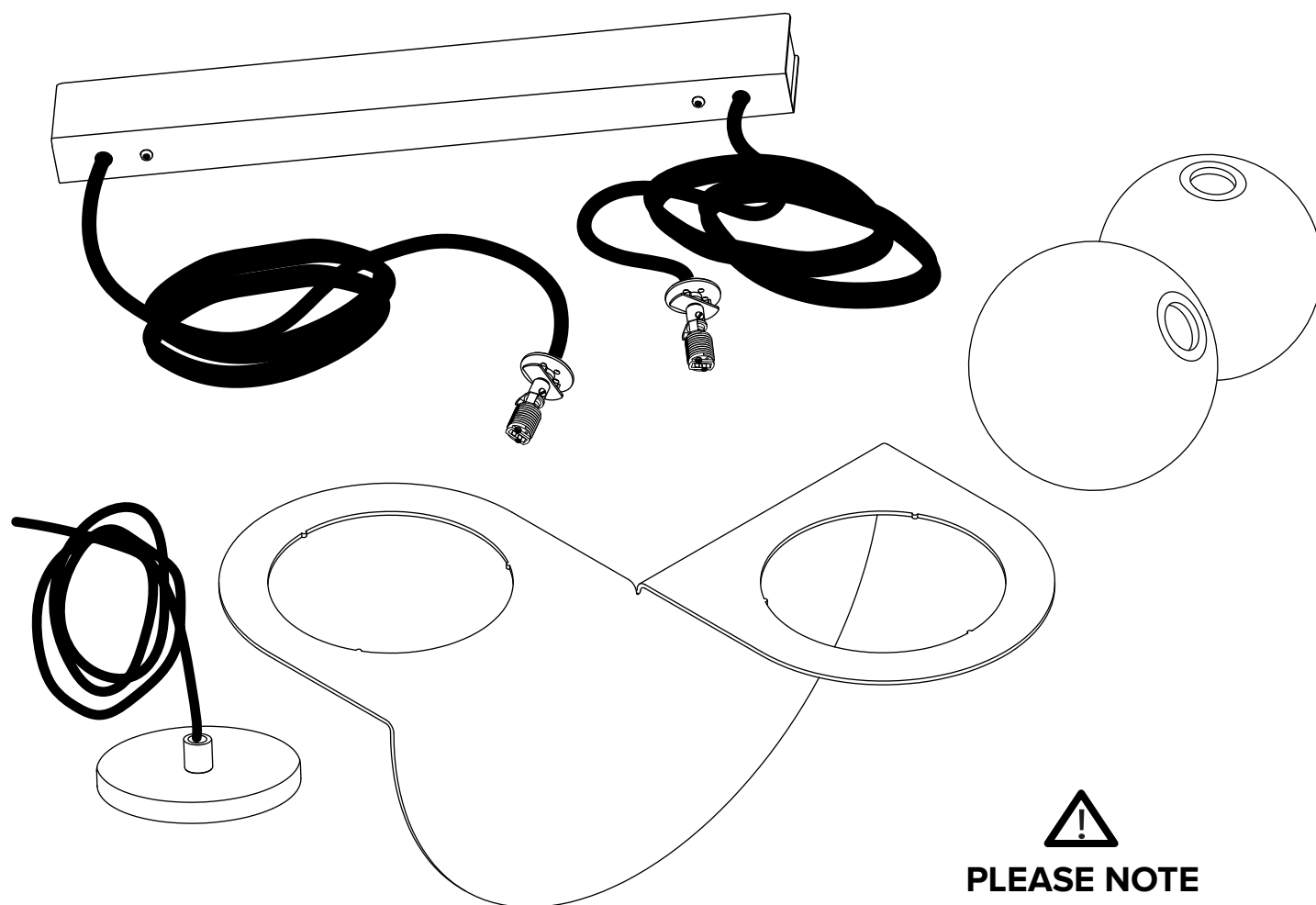
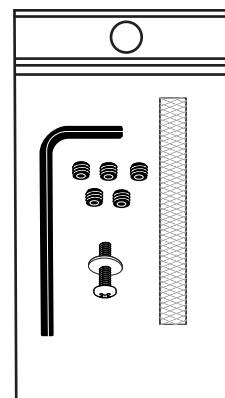
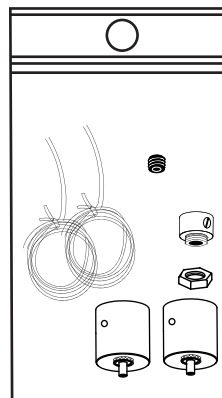


# LAURENT

OFFSET PARALLEL



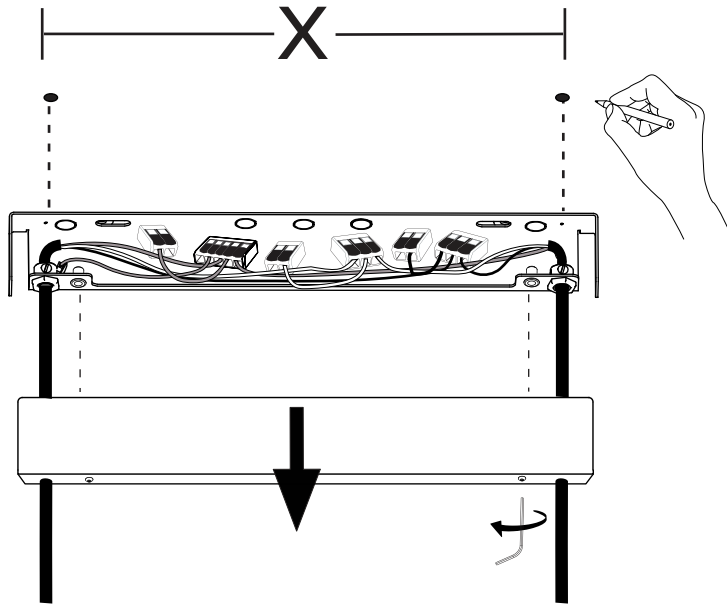
- To be installed by an electrician to an electrical box
- Use appropriate screws and anchors where necessary
- Wear enclosed gloves when handling lamp
- Handle materials with care. Please consult lamp maintenance sheet on our web site
- Should be used exclusively as a lamp and not as a shelving, display or hanging unit



## PLEASE NOTE

THIS IS AN EXAMPLE OF THE LRT 01.  
HOWEVER, ALL MODELS FOLLOW  
THE SAME INSTALLATION PROCESS.

1



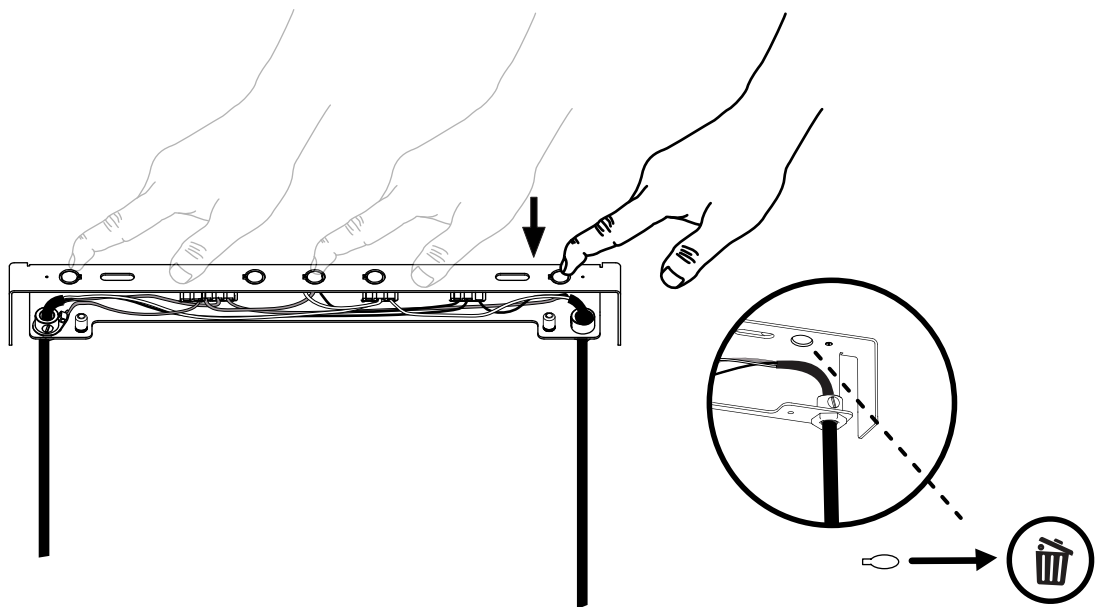
Lower ceiling bracket cover then use the bracket as a guide for your anchor holes.

**Make sure to use appropriate anchors for ceiling material.**

X

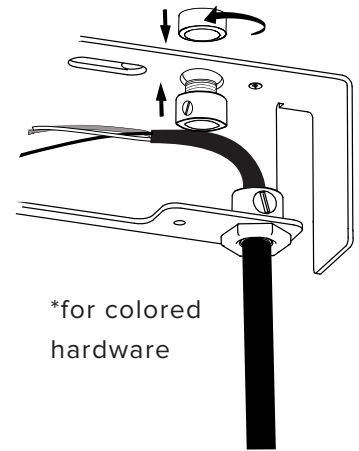
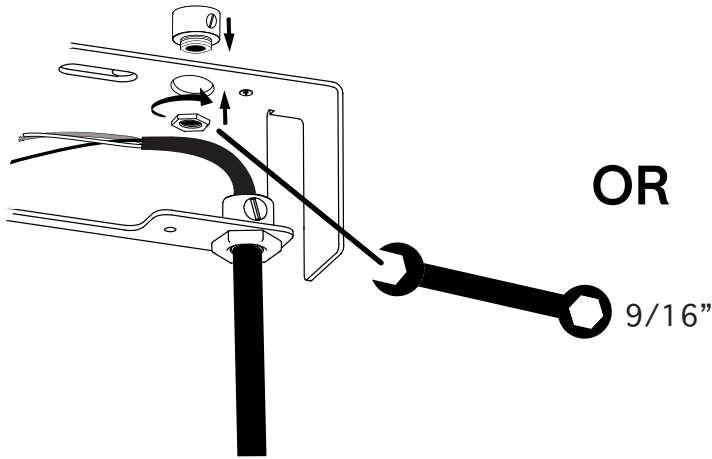
LRT 01	11 1/4" / 285mm
LRT 02	27 3/8" / 698mm
LRT 03	11 1/4" / 565mm
LRT 05	7 3/4" / 196mm
LRT 06	15 5/8" / 398mm
LRT 07	24" / 610mm
LRT 09	11 1/4" / 285mm

2



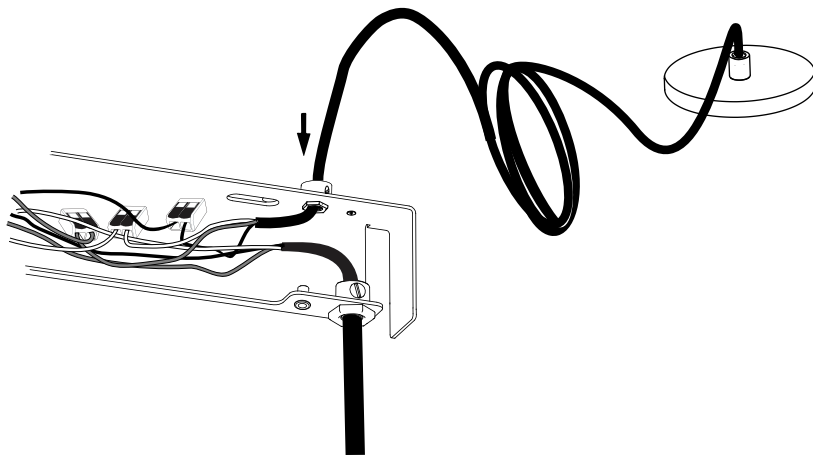
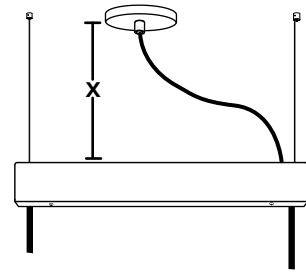
Chose knockout depending on your desired positioning for the exit wire to the canopy.

3

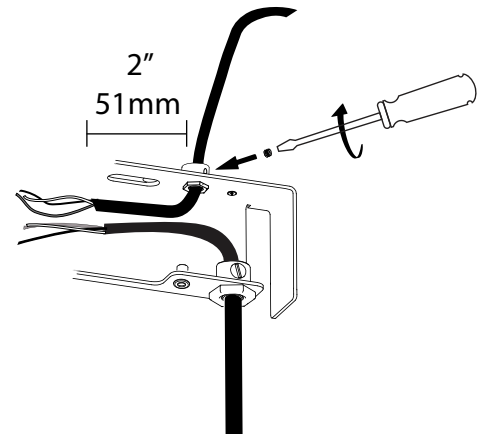


4

Un sleeve and connect to the identified double wago's after you have measured your desired wire length from the ceiling to the canopy (X)

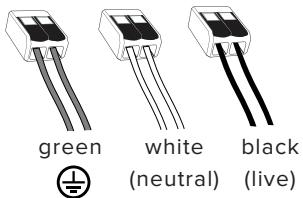


Leave at least 2" (51mm) of unstripped wire inside canopy.

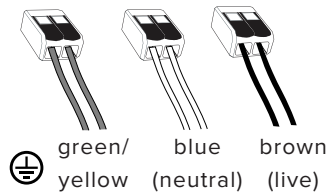


SCREW GENTLY BUT FIRMLY

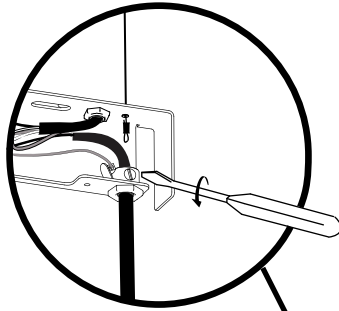
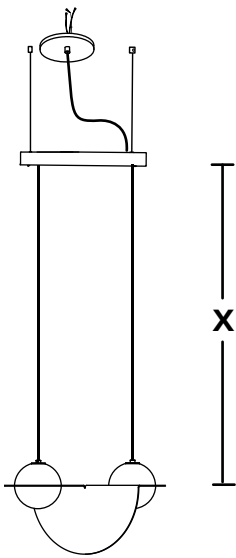
UL LISTED



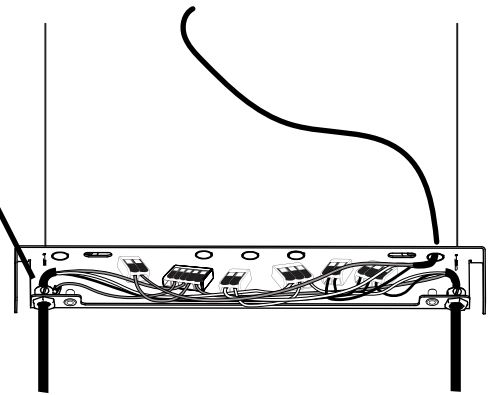
CE



5

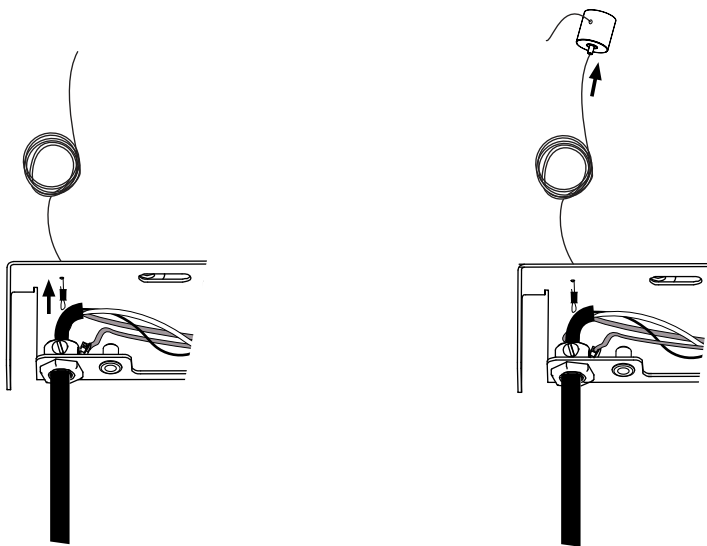


Loosen set screw to adjust wire length. Screw back gently but firmly, when desired wire length is reached.

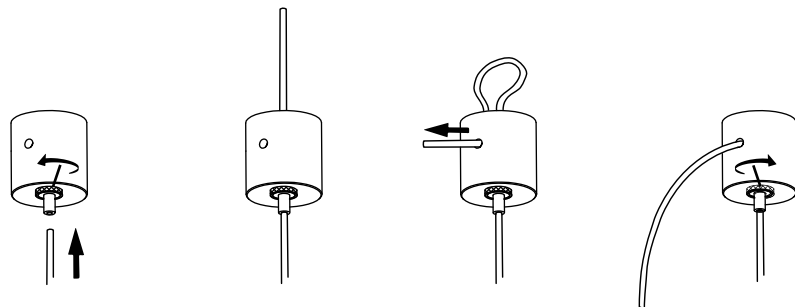


Trim wires to desired length (X). Do not leave a large excess of wires inside the canopy. Reconnect them as before. Do this step before installing luminaire to the ceiling

6

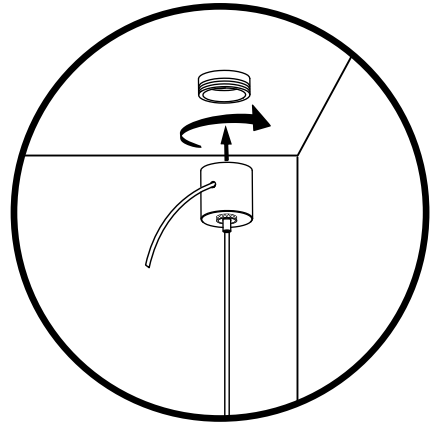
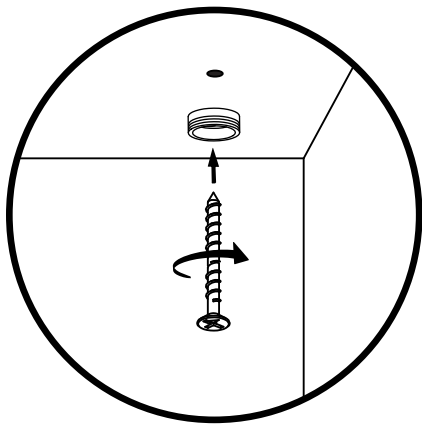


Install cable hangers. Loosen lock ring, pass wire through, then retighten lock ring.

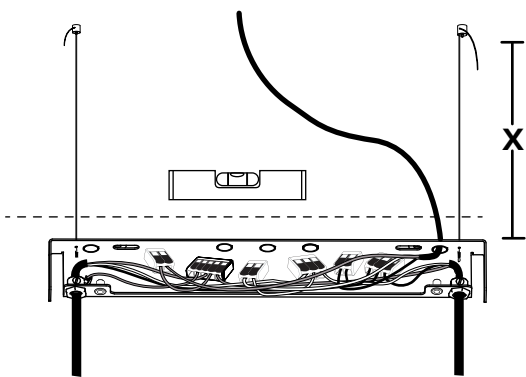
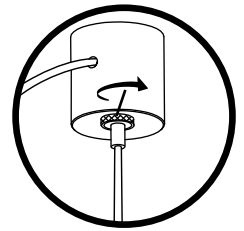
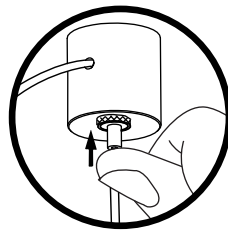
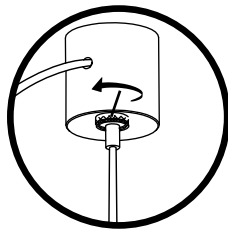




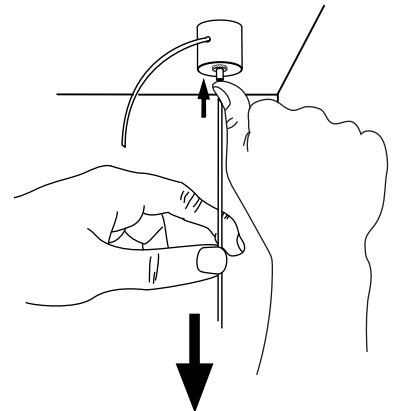
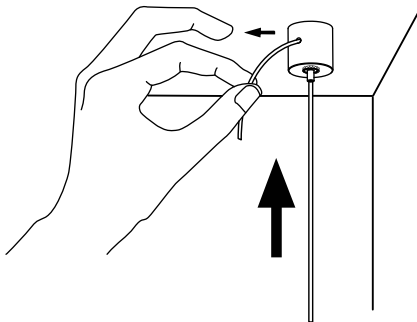
7



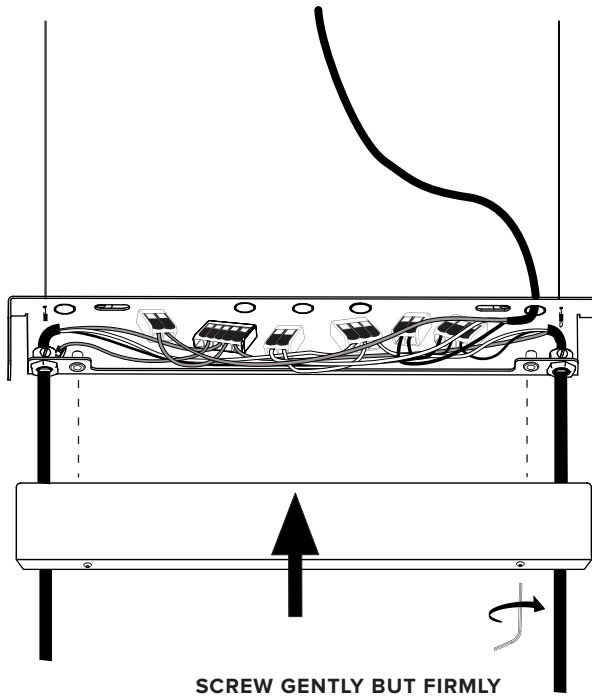
8



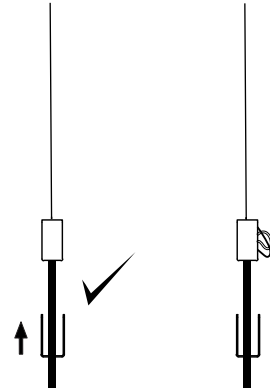
Adjust the height of your cable hangers (X) by lowering or raising the aircraft cable. Loosen lock ring, adjust cables, then retighten lock ring.



9

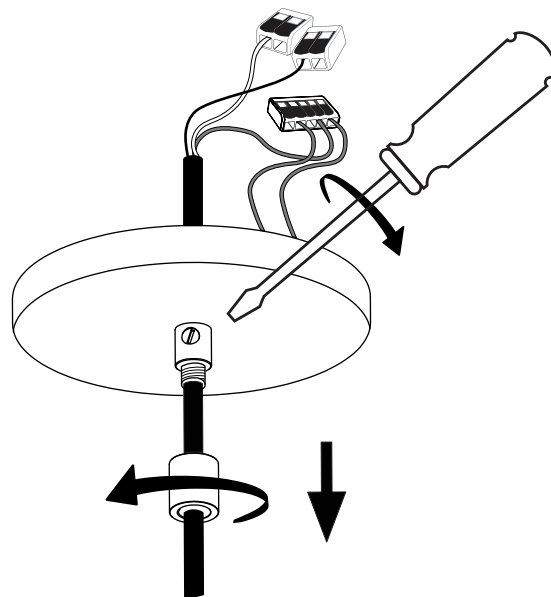


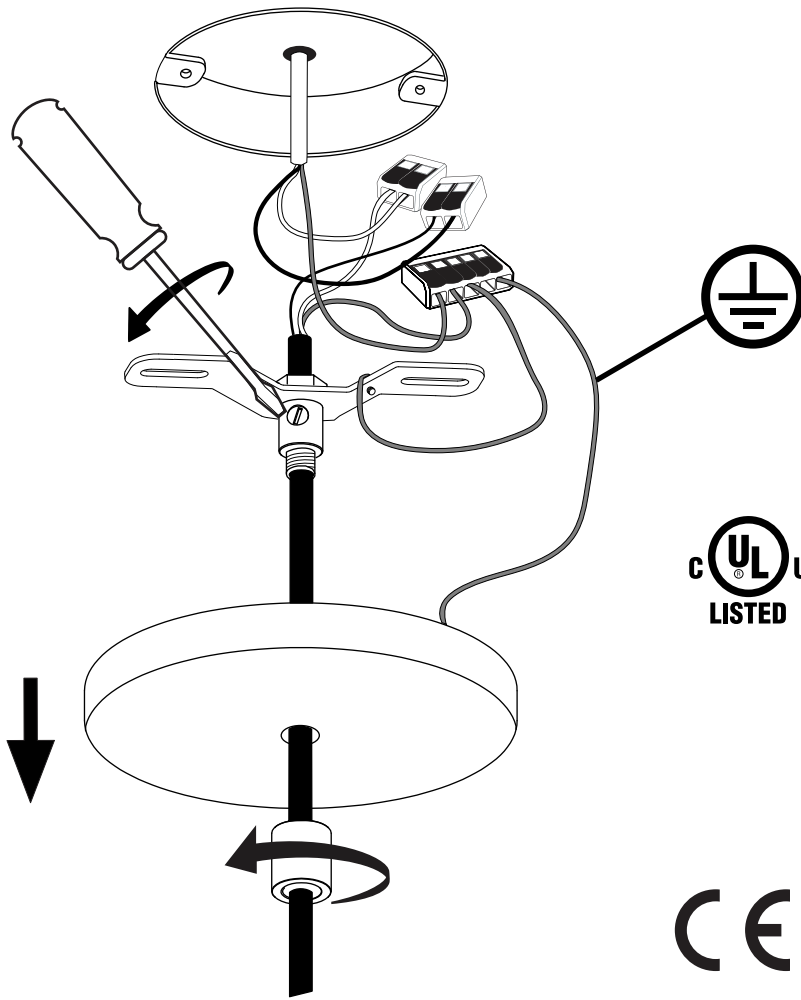
Temporarily install canopy. You may have to readjust later once the shade and globes are installed.



Ensure no wires are clipped or pinched during this operation.

10

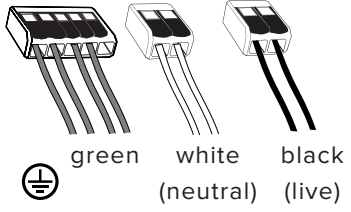




**11**

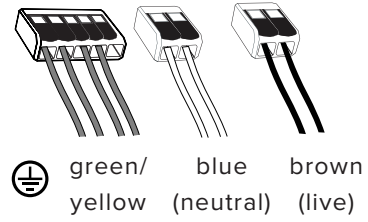
Make connection

**UL** US LISTED

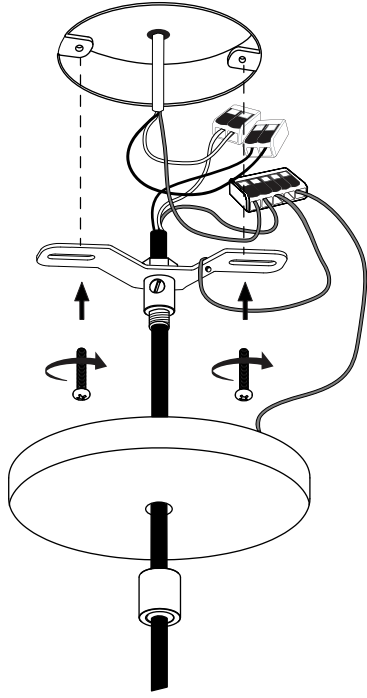


6mm

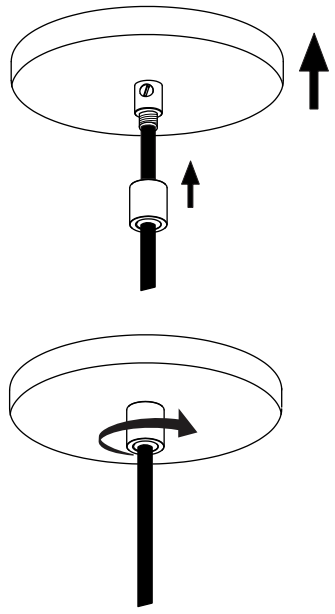
**CE**



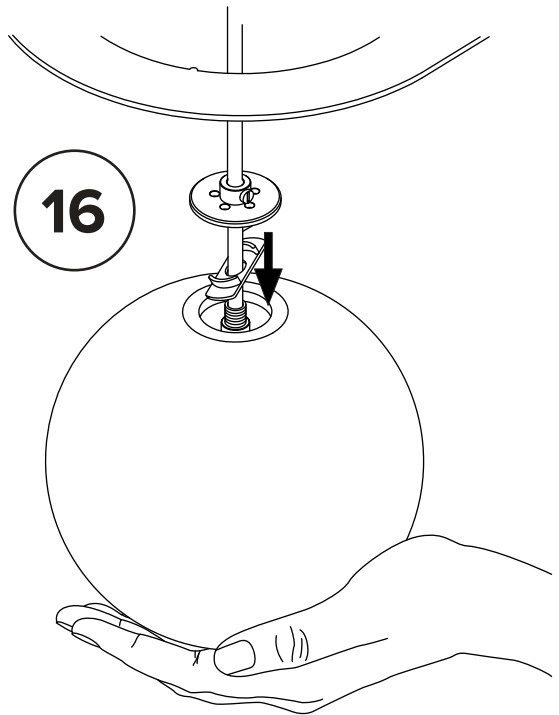
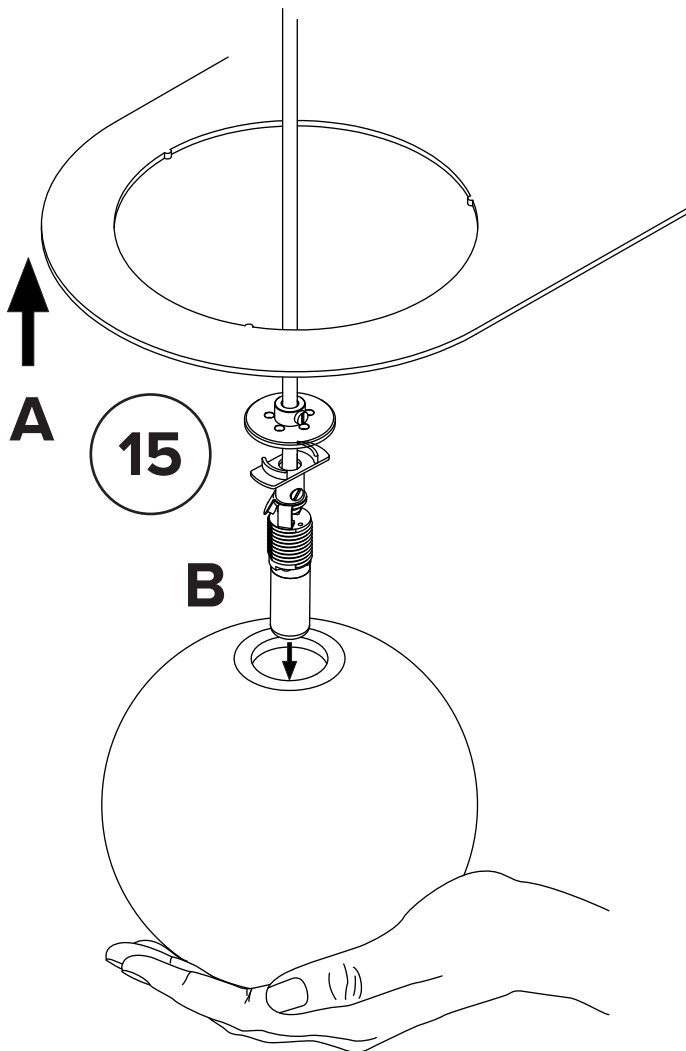
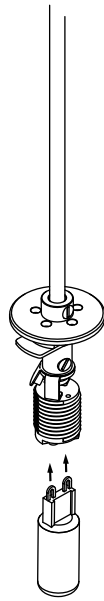
**12**



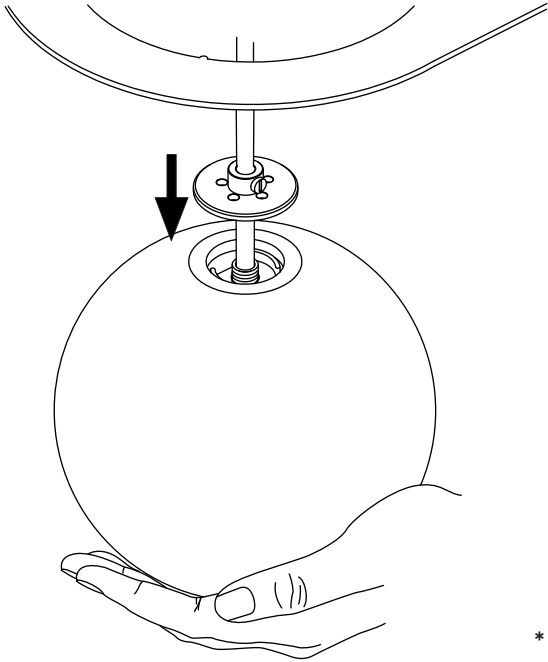
**13**



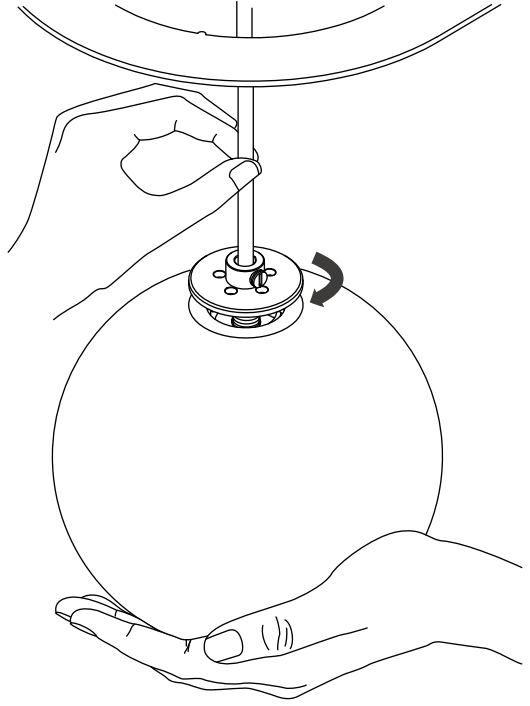
14



17

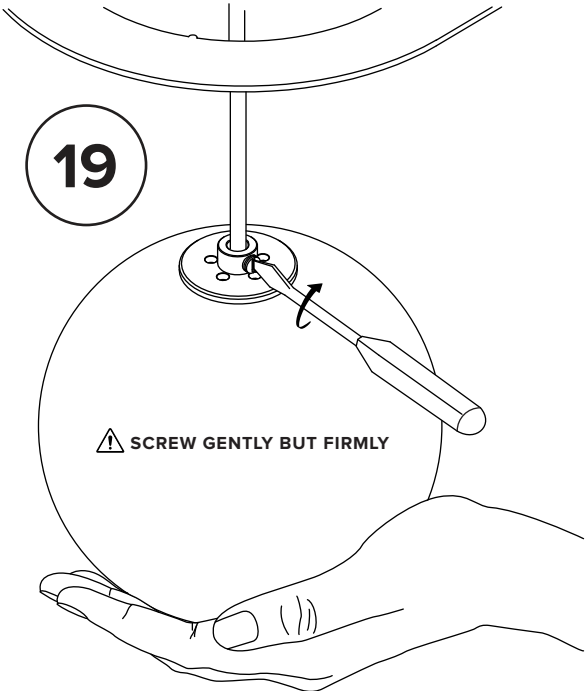


18

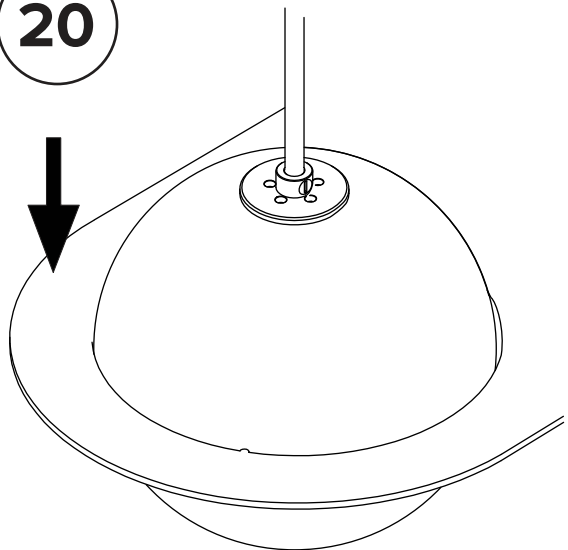


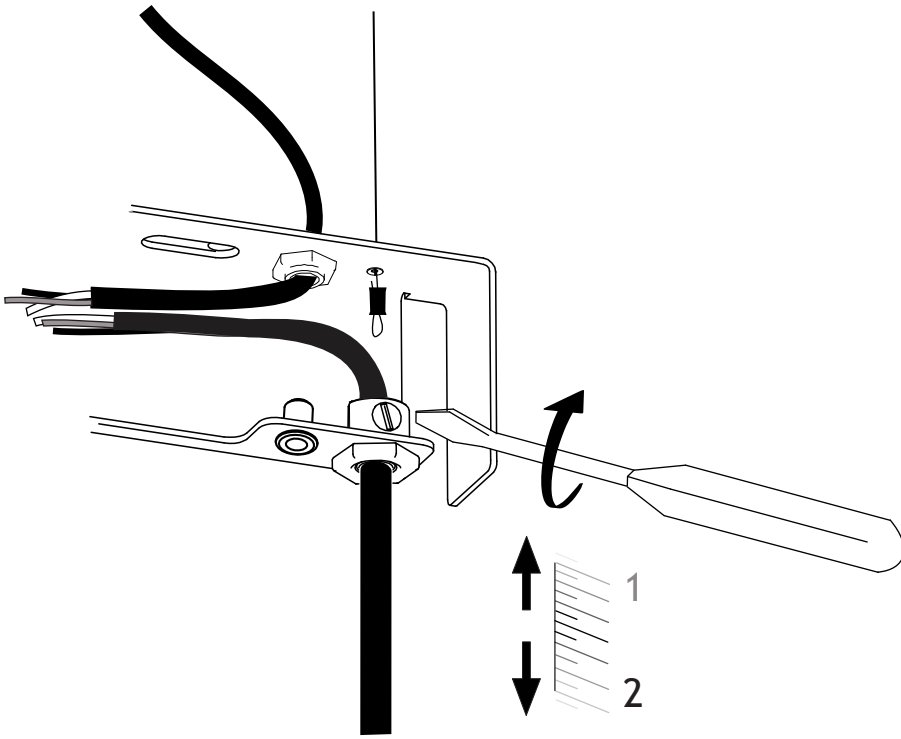
\* To ensure safety,  
**PLEASE FOLLOW THESE STEPS  
CAREFULLY**

19



20

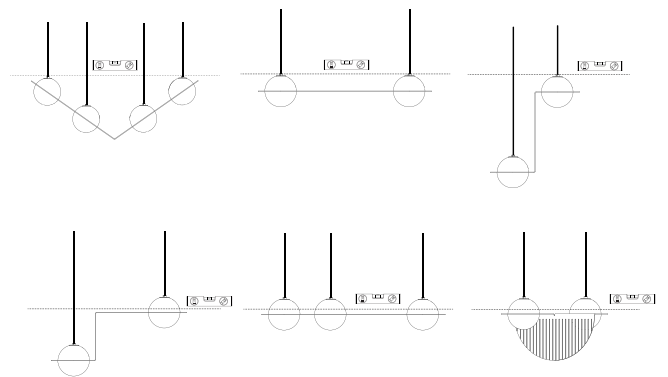
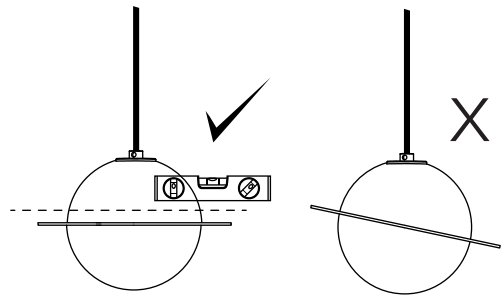
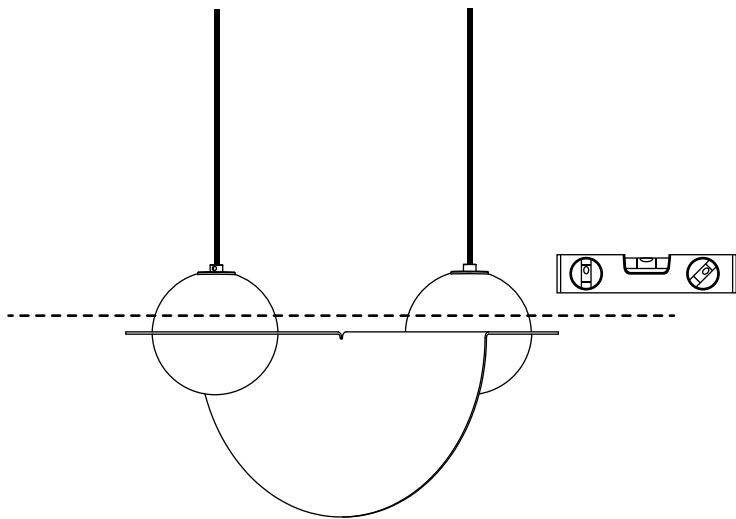




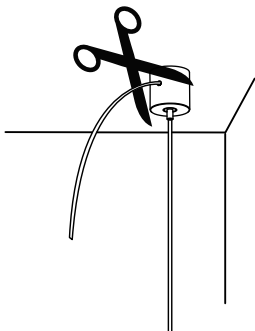
21

Make sure the globes are level by micro-adjusting the wire lengths.

**SCREW GENTLY BUT FIRMLY**



22

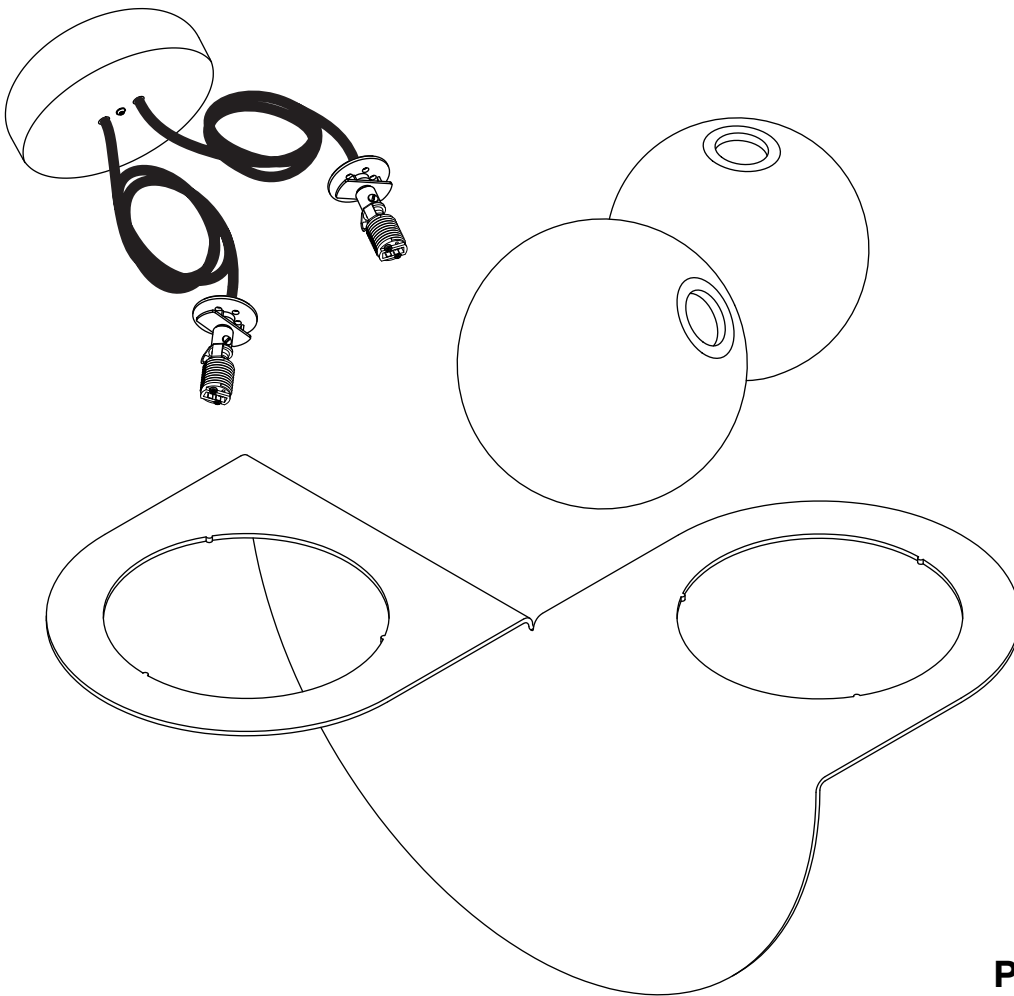
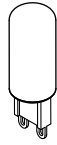
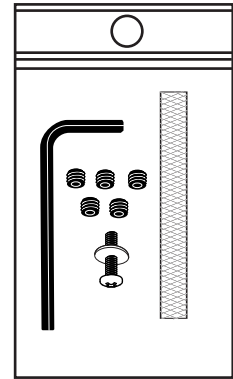


Trim extra cable when desired height and level are achieved.

# LAURENT ANGLED



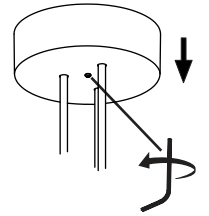
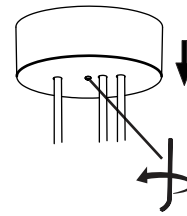
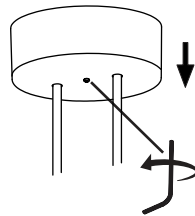
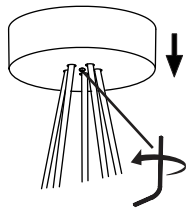
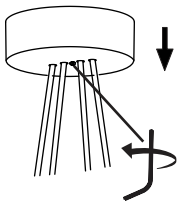
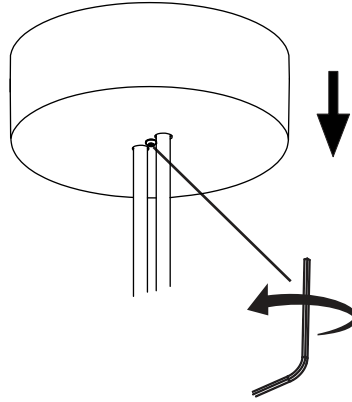
- To be installed by an electrician to an electrical box
- Use appropriate screws and anchors where necessary
- Wear enclosed gloves when handling lamp
- Handle materials with care. Please consult lamp maintenance sheet on our web site
- Should be used exclusively as a lamp and not as a shelving, display or hanging unit



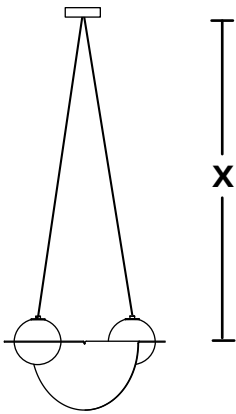
## PLEASE NOTE

THIS IS AN EXAMPLE OF THE LRT 01.  
HOWEVER, ALL MODELS FOLLOW  
THE SAME INSTALLATION PROCESS.

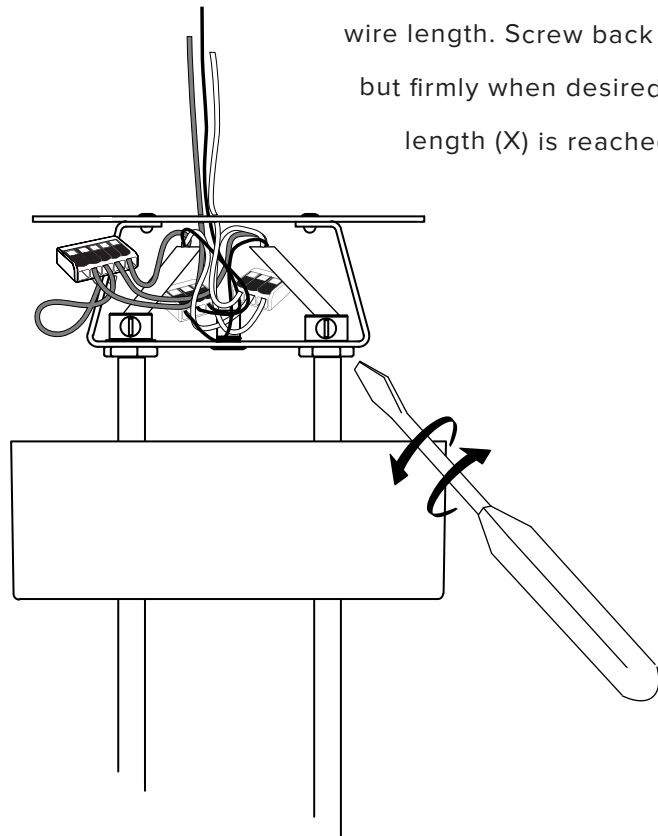
1



2



Loosen set screws to adjust wire length. Screw back gently but firmly when desired wire length (X) is reached.

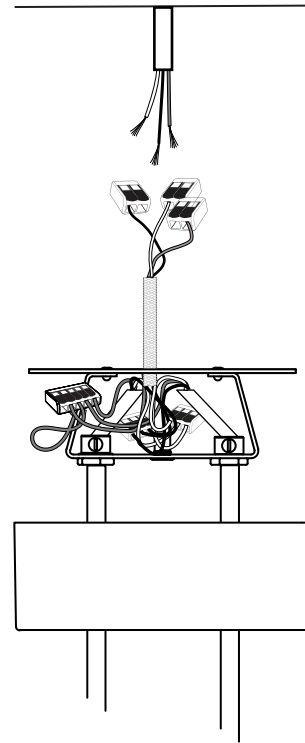
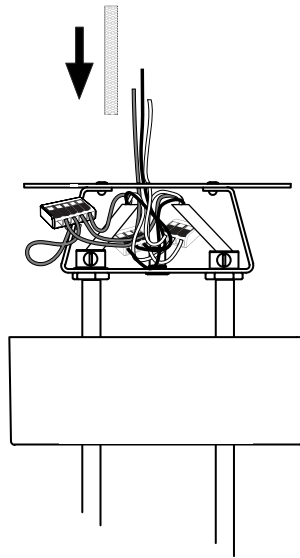


Trim wires to desired length (X).  
Do not leave a large excess of wires  
inside canopy. Reconnect them as before.



3

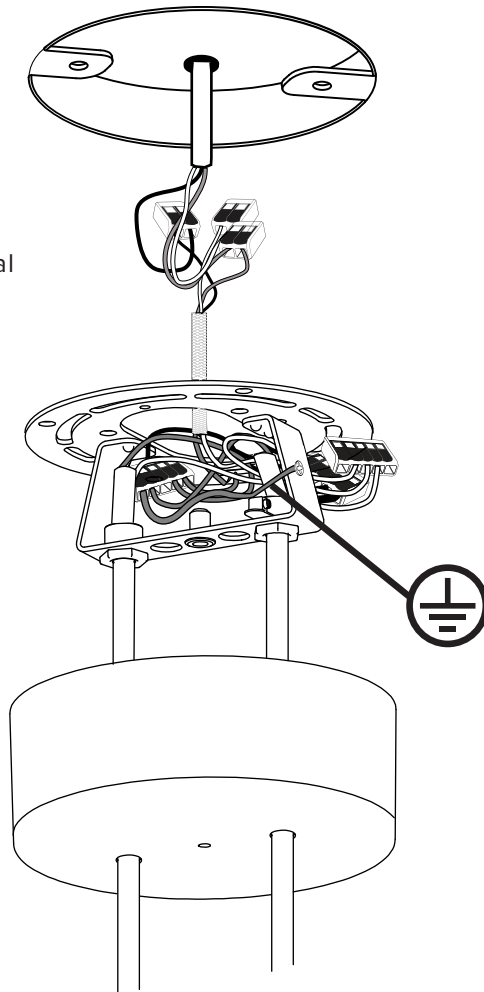
Insert provided fiberglass heat sleeve then reconnect the double wagos.



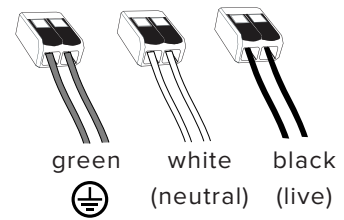
4

Make connection.

We recommend making your connection within the electrical box, however you may also make your connections within your canopy.

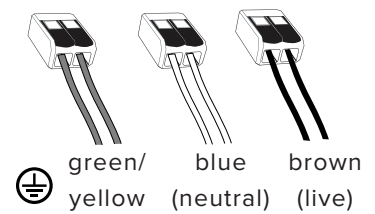


UL US LISTED



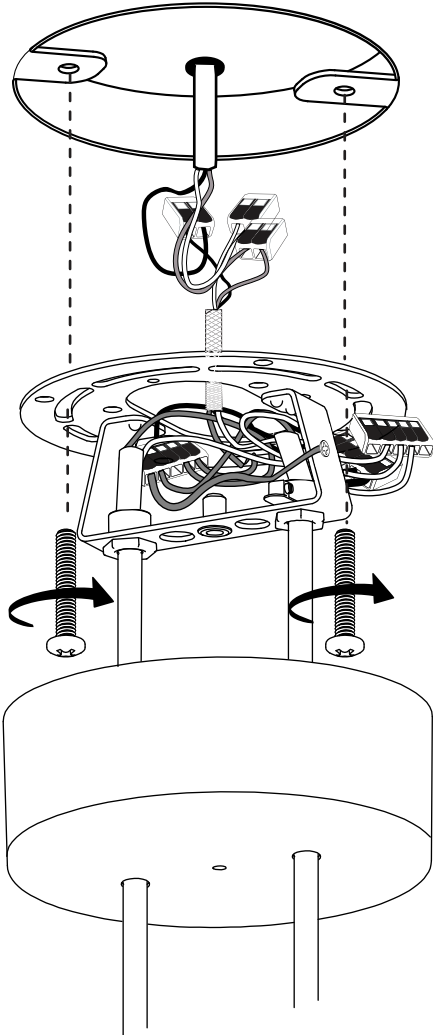
6mm

CE

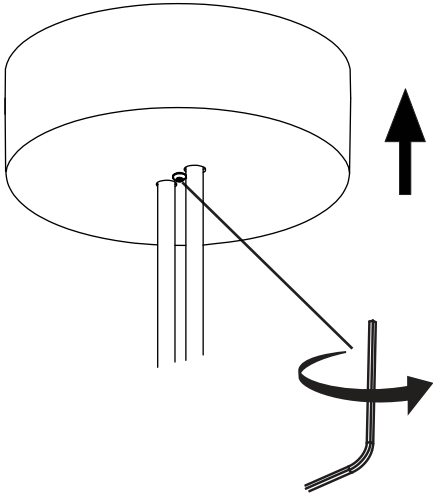


**5**

Ensure no wires are scratched or pinched during this operation.

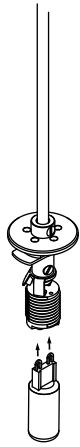


**6**

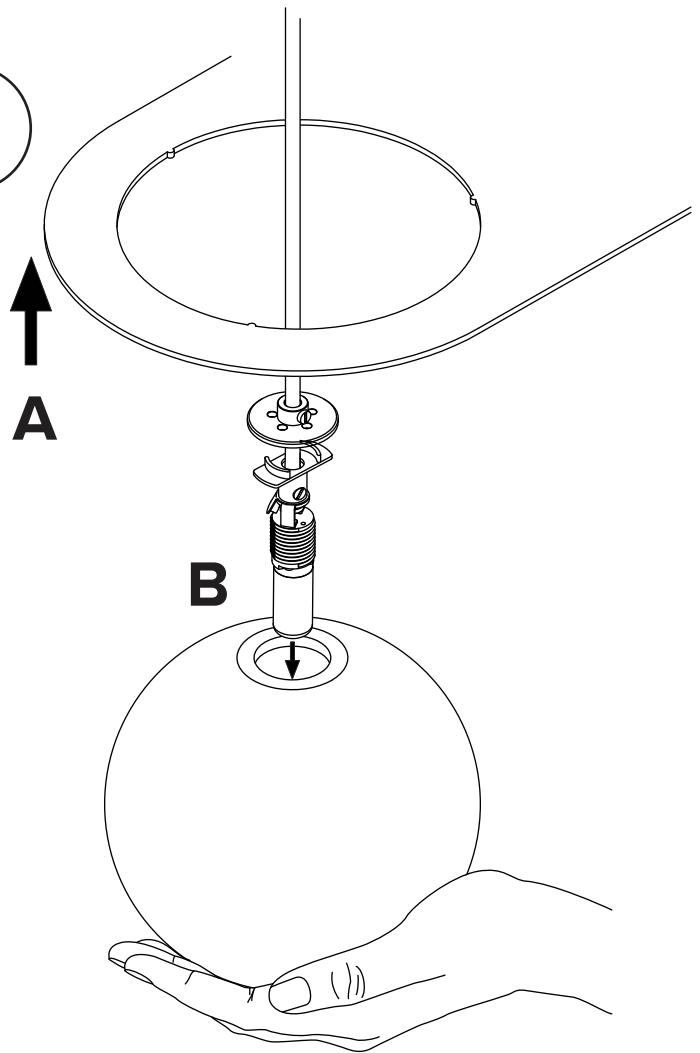


Screw gently, but firmly

7

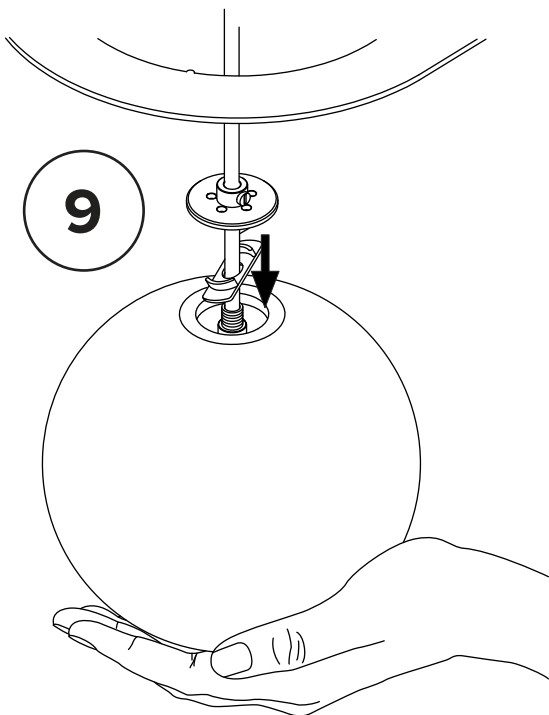


8

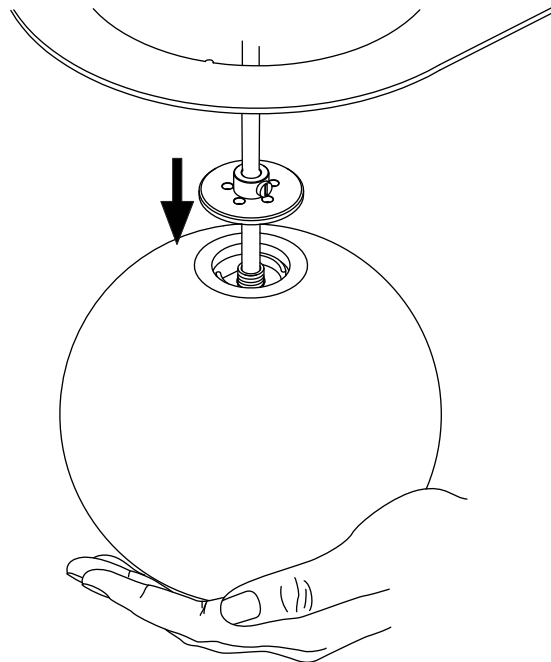


To ensure safety,  
**PLEASE FOLLOW THESE STEPS  
CAREFULLY**

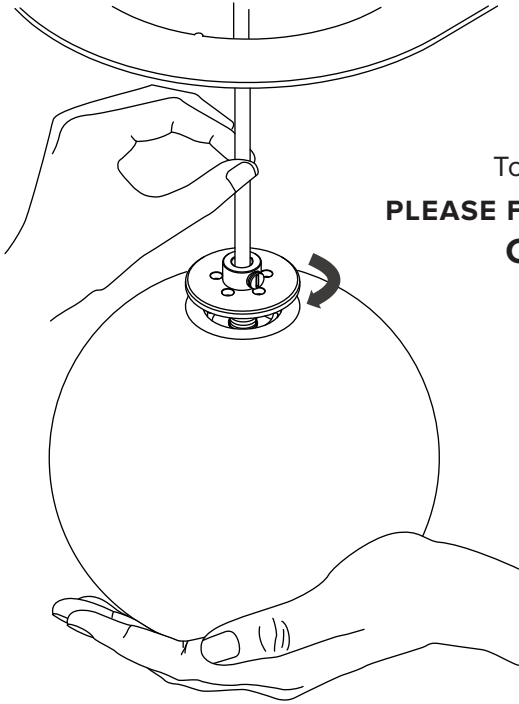
9



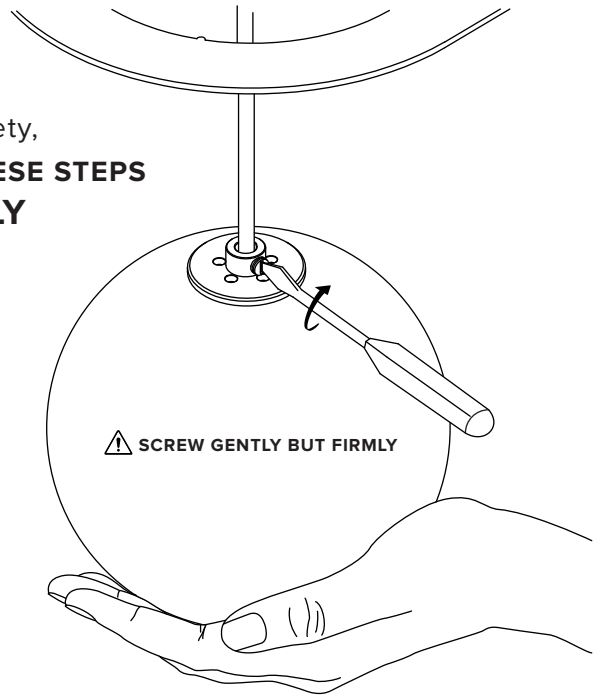
10



11



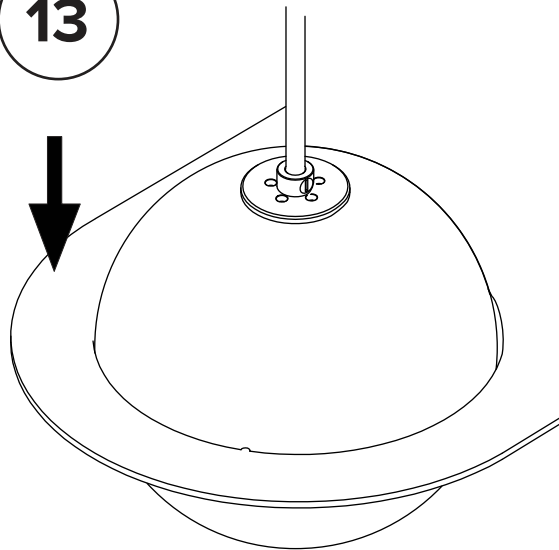
12



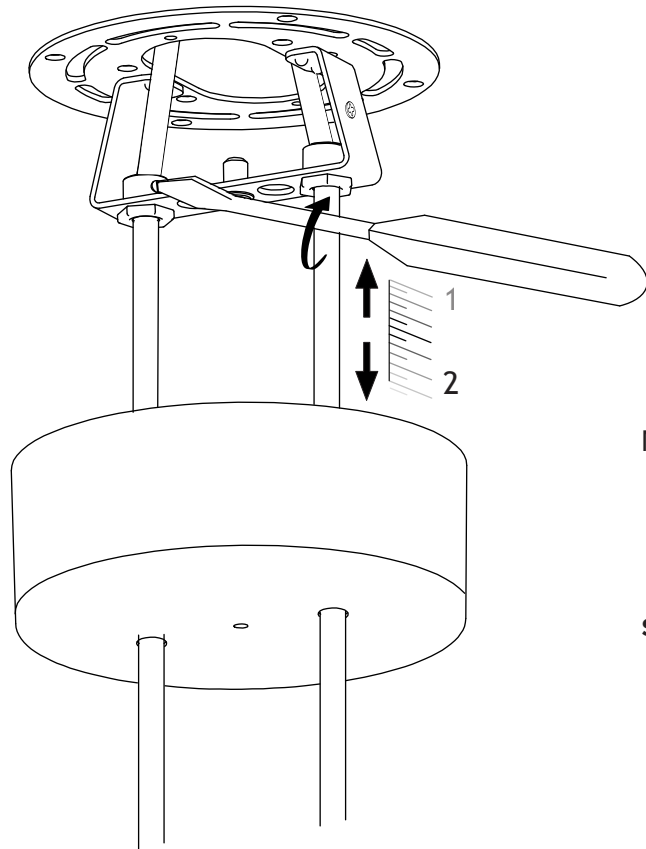
To ensure safety,  
**PLEASE FOLLOW THESE STEPS  
CAREFULLY**

⚠ SCREW GENTLY BUT FIRMLY

13



14



Make sure the globes are level by micro-adjusting the wire lengths.

**SCREW GENTLY BUT FIRMLY**

