

LINDEN 2 SCONCE - 15.5 IN

DUNN

DESCRIPTION

A smaller sibling to our best-selling Linden 2-Sconce - 23.5in, this modern linen wall fixture reinterprets classic art deco geometry. Position the flared end upwards or downwards for a soft dramatic glow that is both compelling and understated.

DETAILS

Lead Time | 6-8 Weeks

Materials | Linen, brass, and steel

Dimensions | 15.5" H x 8.25" W x 6.25" D

Weight | 4 lbs

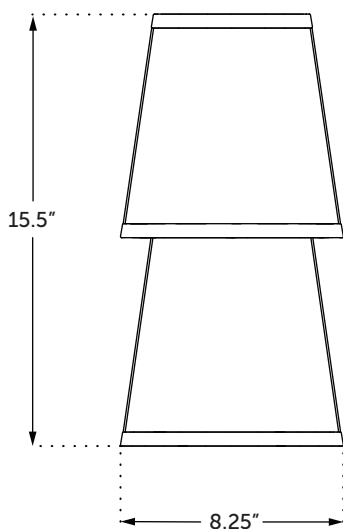
Canopy | 5" Diameter x 1" Height

Lamping | 120V/60Hz, E12 sockets, 60W max

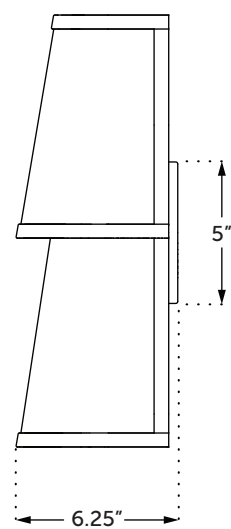
Made In | USA



FRONT VIEW



SIDE VIEW



FINISH OPTIONS



LND-2-SCO-155
Cream Linen Shades
Brass Fittings

BULBS

Requires two E12 base bulbs. Sold separately. Please visit our website for details. Many different styles of bulbs work with our fixtures. Please refer to the lamping specifications to determine compatibility.

CUSTOMIZATION

Please contact us for customization options.

Finish samples sold online.

(401)-400-0206
info@studiodunn.com
www.studiodunn.com

Each piece is built to order.

310 Bourne Ave
Building #1
Rumford, RI 02916

Designed by Studio DUNN, 2022

For quotes & custom inquiries
please contact Studio DUNN:
info@studiodunn.com