
PH 3/2 GLASS TABLE

Designed by Poul Henningsen



Technical specifications

Materials

Base: Black metalized or high lustre chrome plated, brass. Shades: Hand blown white opal glass. Top plate: Black metalized or high lustre chrome plated, spun brass. Stem: Black metalized or high lustre chrome plated, brass.

Finishes

Black metalized or high lustre chrome plated. White opal glass.

Mounting

Cord with plug.

Cord length: 10'.

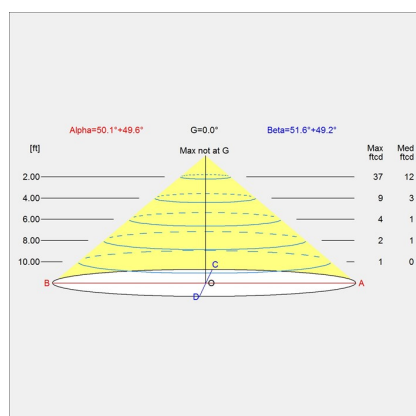
On/off switch provided. For mounting instructions, see download section on the product detail page.

PH 3/2 GLASS TABLE

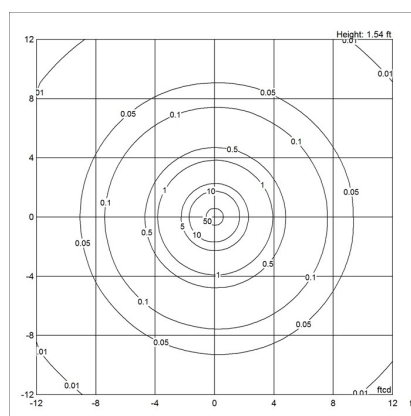
Designed by Poul Henningsen

Light distribution diagrams

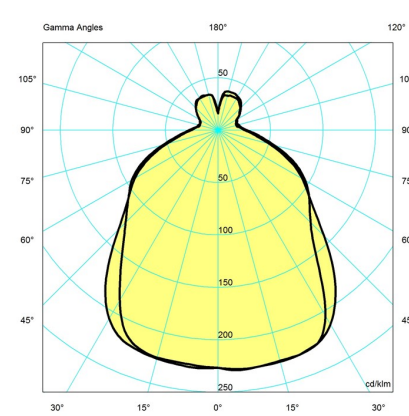
CARTESIAN



ISOLUX



POLAR



Variant Options

For particular variant options, please check our online Product Variants Configurator on the product detail page.

VARIANT NO.	LIGHT SOURCE	VOLTAGE/FRQ	LUMEN	FEATURES	CABLE
5744901350	1x10W G16.5/candelabra	120V	538	-	Black cord
5744901512	1x10W G16.5/candelabra	120V	538	-	Black cord
5744901826	1x10W G16.5/candelabra	120V	538	-	White cord

Variants

VARIANT NUMBER	COLOR, RAL	W / H / L (IN) / W (LB)
5744901350	HIGH LUSTRE CHROME PLATED, 900	11.4 / 18.6 / 11.4 IN / 6.5 LB
5744901512	BLACK METALIZED, 906	11.4 / 18.6 / 11.4 IN / 6.6 LB
5744901826	BRASS METALLISED	11.4 / 18.6 / 11.4 IN / 6.6 LB

PH 3/2 GLASS TABLE

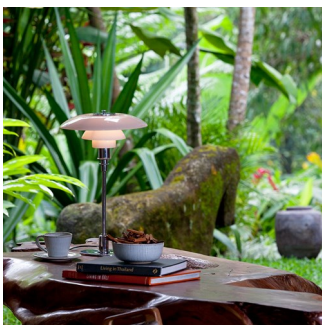
1x10W G16.5/candelabra / 120V / Black metallised / Black cord / - / - / 5744901512

The fixture is designed based on the principle of a reflective three-shade system, which directs the majority of the light downwards. The shades are made of hand blown opal three-layer glass, which is glossy on top and sandblasted matte on the underside, giving a soft and diffused light distribution.



Poul Henningsen

Poul Henningsen was born in Copenhagen by the famous Danish writer Agnes Henningsen. He never graduated as an architect, but studied at The Technical School at Frederiksberg, Denmark from 1911-14, and then at Technical College in Copenhagen from 1914-17.



American Heart Institute

Product info

Mounting

Cord with plug. Cord length: 10'. On/off switch provided.

Finish

Black metalized or high lustre chrome plated. White opal glass.

Materials

Base: Black metalized or high lustre chrome plated, brass. Shades: Hand blown white opal glass. Top plate: Black metalized or high lustre chrome plated, spun brass. Stem: Black metalized or high lustre chrome plated, brass.

Sizes and weight

Width x Height x Length (in.) | 11.4 x 18.6 x 11.4 Max 6.6 lbs

Compliance

cULus, Dry location.

Light source

1x10W G16.5/candelabra

Related products



PH 3/2 Pendant



PH 3/2 Wall

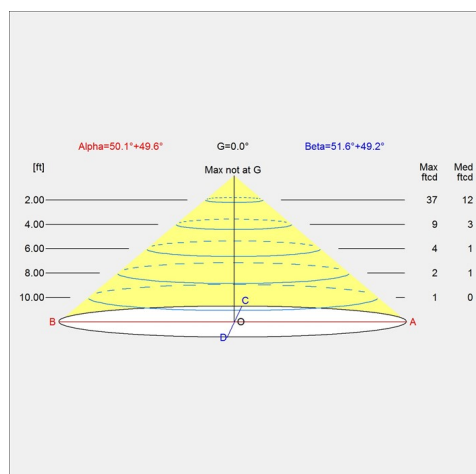


PH 3/2 Aged Brass Table Lamp

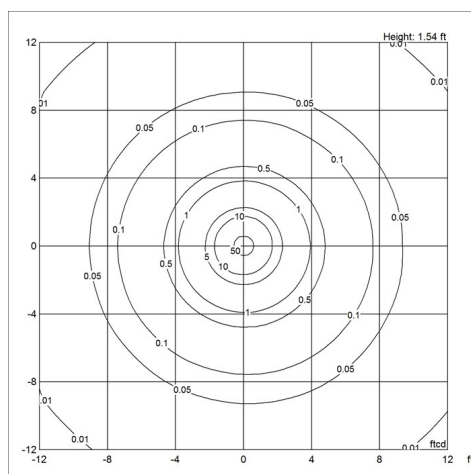


Light distribution diagrams

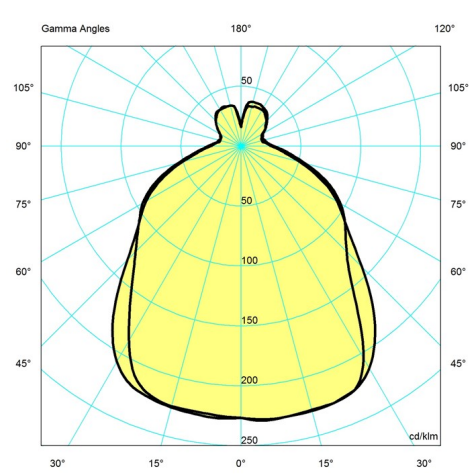
Cartesian



Isolux



Polar



Spare parts & accessories

Product	Variant number
PH 3/2 middle shade glass	5741481598
PH 3/2 lower shade glass	5741481608
PH 3/2 Table/Wall top shade glass	5741481585
Finger screw SS M3X12 (3pcs) lower	5744610528
Finger screw SS M2X8 (3pcs) middle	5744611116
Finger screw brass raw M2X8 (3pcs)middle	5744611271
Finger screw brass raw M3X12 (3pcs)ower	5744611284

Data specifications

Colour	Black metallised	Length	11.4
Width	11.4	Height	18.6
Built-in Height	-	IP class	20

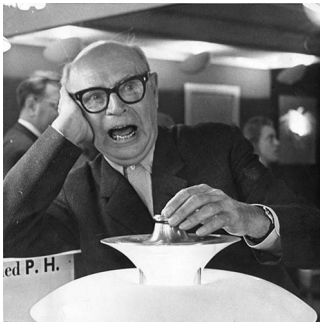
PH 3/2 Glass Table

Class	-
Standby (W)	-
Inrush Current	-
Kelvin	-
SDCM	-
Watt	60
Light control	-
UGR Transversal / Axial	41.3/41.5
Driver life	-

Net Weight	6.6
Power Factor (P = 100 % / P = 50 %)	-
Light source	1x10W G16.5/candelabra
CRI	-
Lumen	538
Efficacy	9
Min. Dim Level (%)	-
L80B50 (hours)	-

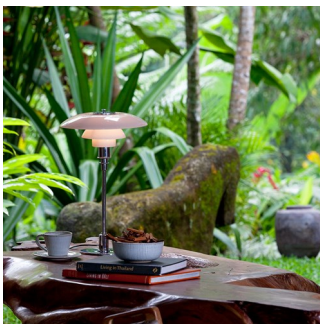
PH 3/2 GLASS TABLE

The fixture is designed based on the principle of a reflective three-shade system, which directs the majority of the light downwards. The shades are made of hand blown opal three-layer glass, which is glossy on top and sandblasted matte on the underside, giving a soft and diffused light distribution.



Poul Henningsen

Poul Henningsen was born in Copenhagen by the famous Danish writer Agnes Henningsen. He never graduated as an architect, but studied at The Technical School at Frederiksberg, Denmark from 1911-14, and then at Technical College in Copenhagen from 1914-17.



American Heart Institute

Product info

Mounting

Cord with plug. Cord length: 10'. On/off switch provided.

Finish

Black metalized or high lustre chrome plated. White opal glass.

Materials

Base: Black metalized or high lustre chrome plated, brass. Shades: Hand blown white opal glass. Top plate: Black metalized or high lustre chrome plated, spun brass. Stem: Black metalized or high lustre chrome plated, brass.

Sizes and weight

Width x Height x Length (in.) | 11.4 x 18.6 x 11.4 Max 6.6 lbs

Compliance

cULus, Dry location.

Light source

1x10W G16.5/candelabra



Related products



PH 3/2 Pendant



PH 3/2 Wall



PH 3/2 Aged Brass Table Lamp

Product variants

Color	Cable type	Light source	Voltage frequency
● Black metallised	Black cord	1x10W G16.5/candelabra	120V
● Brass metallised	White cord		
● High lustre chrome plated			

Product description

Portable fixture.
Terse and iconic design.
The size of the three shades is adjusted for optimum performance and comfort.
Interior surfaces of glass shades sandblasted to diffuse light.
Member of a family products of various sizes and type.

Mounting

Portable fixture plugs into standard wall outlet.

Light description

The fixture emits glare free, comfortable light.

Design

Poul Henningsen

Material

Shades: mouth blown white glass, 1.5mm (0.06") thick.
Struts: chrome plated steel.
Base: steel with black or silver chrome-plated brass cover.
Stem: extruded steel, black or silver chrome plated, 1.5mm (0.06") thick.
Switch: on/off, phenolic, on base.
Socket: phenolic, candelabra base for G16.5, frosted envelope lamps.

Weight

Min: 6.548 lbs Max: 6.629 lbs

Finish

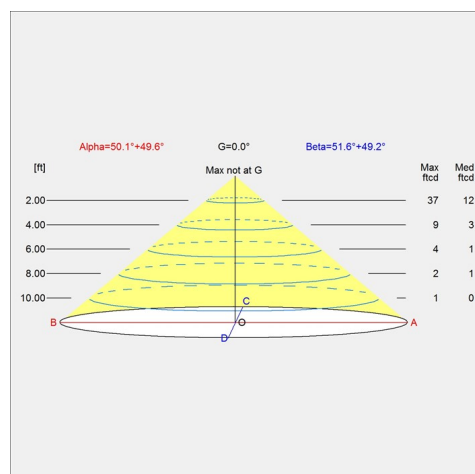
Black metallised, Brass metallised, High lustre chrome plated

Voltage

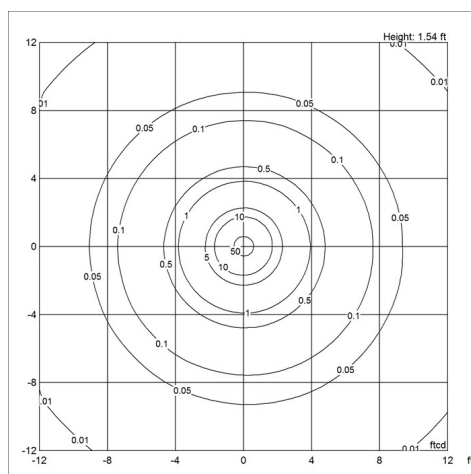
120V

Light distribution diagrams

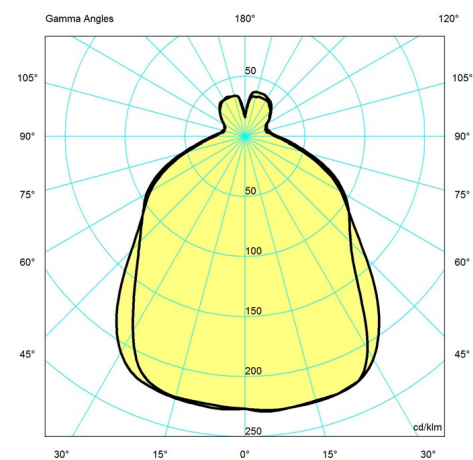
Cartesian



Isolux



Polar



Spare parts & accessories

Product	Variant number
PH 3/2 middle shade glass	5741481598
PH 3/2 lower shade glass	5741481608
PH 3/2 Table/Wall top shade glass	5741481585
Finger screw SS M3X12 (3pcs) lower	5744610528
Finger screw SS M2X8 (3pcs) middle	5744611116
Finger screw brass raw M2X8 (3pcs)middle	5744611271
Finger screw brass raw M3X12 (3pcs)lower	5744611284