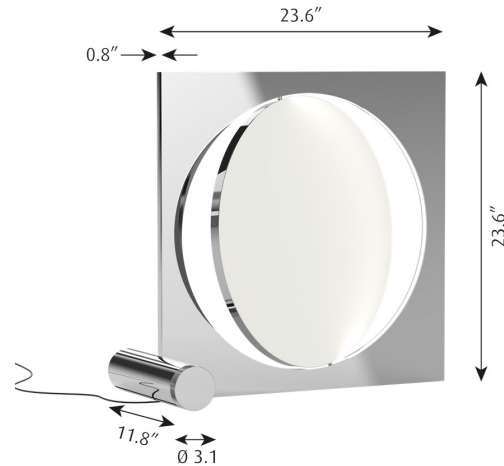

MOONSETTER

Designed by Anne Boysen



Technical specifications

Materials

Frame: High lustre chrome-plated solid cast aluminum.
Cylinder and switch: High lustre chrome-plated extruded aluminum.
Disc: Solid cast aluminum. High lustre chrome-plated on one side and white on the opposite side.
Opal silicone diffuser.

Finishes

High lustre chrome-plated.

Disc: High lustre chrome-plated on one side and white, wet painted on the opposite side.

Mounting

Cable type: Black PVC. Cable length: 8'.
LED-driver: Separate, plugs into power outlet.
Light control: dial on cylinder of frame.
Continuous dimming to off. For mounting instructions, see download section on the product detail page.

Information

Electrical:
System Wattage: 19W
LED Wattage: 18W

Certifications:

cULus, Dry Location
Protection class IP20

Controllability: Continuous dimming to off by dial switch on cylinder.
Color Rendering: Ra \geq 90 For the E-socket product variants, bulbs are not included. LED light source is part of the product.

MOONSETTER

Designed by Anne Boysen

Variant Options

For particular variant options, please check our online Product Variants Configurator on the product detail page.

VARIANT NO.	LIGHT SOURCE	VOLTAGE/FRQ	LUMEN	FEATURES	CABLE
5744908887				-	-

Variants

VARIANT NUMBER	COLOR, RAL	W / H / L (IN) / W (LB)
5744908887	HIGH LUSTRE CHROME/WHITE	11.8 / 23.6 / 25.2 IN / 44.1 LB

MOONSETTER

600x600 / High lustre chrome/white / With dimmer / - / - / - / 5744908887

The sculptural floor lamp in chrome-plated aluminum has a rotating disc that allows customization of the reflection of the glare-free light emitted by the LED light source elegantly submerged in the frame. The disc rotates 360° around its own axis and is white on one side and reflective on the other. Tilted towards the white side, the light becomes soft and diffuse, whereas the opposite chrome side reflects the light panel directly for a completely different expression. The light is directed according to the position of the disc. The surroundings are mirrored in the frame and the chrome side of the disc. The lamp offers stepless dimming and is turned on and off by the rotating footswitch on the cylinder.



Anne Boysen



Product info

Information

Electrical: System Wattage: 19W LED Wattage: 18W Certifications: cULus, Dry Location Protection class IP20
Controllability: Continuous dimming to off by dial switch on cylinder. Color Rendering: Ra \geq 90

Mounting

Cable type: Black PVC. Cable length: 8'. LED-driver: Separate, plugs into power outlet. Light control: dial on cylinder of frame. Continuous dimming to off.

Finish

High lustre chrome-plated. Disc: High lustre chrome-plated on one side and white, wet painted on the opposite side.

Materials

Frame: High lustre chrome-plated solid cast aluminum. Cylinder and switch: High lustre chrome-plated extruded aluminum. Disc: Solid cast aluminum. High lustre chrome-plated on one side and white on the opposite side. Opal silicone diffuser.

Sizes and weight

Width x Height x Length (in.) | 11.8 x 23.6 x 25.2 Max 44.1 lbs

Compliance

cULus, Dry location.

Information

Electrical:

System Wattage: 19W

LED Wattage: 18W

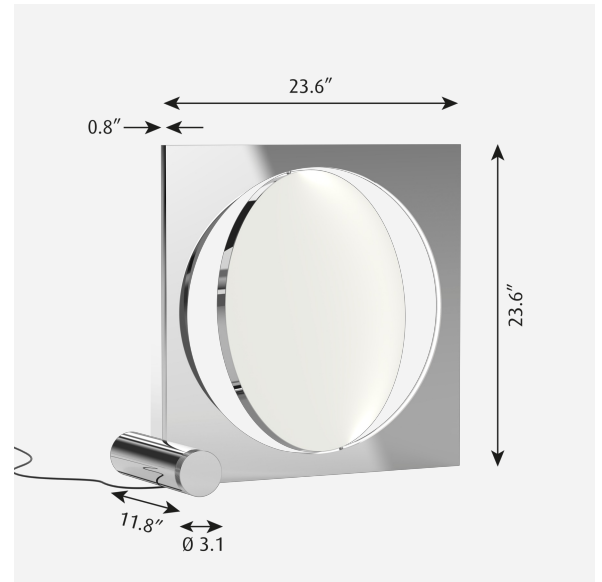
Certifications:

cULus, Dry Location

Protection class IP20

Controllability: Continuous dimming to off by dial switch on cylinder.

Color Rendering: Ra \geq 90



Data specifications

Colour	High lustre chrome/white	Length	25.2
Width	11.8	Height	23.6
Built-in Height	-	IP class	20
Class	-	Net Weight	44.1
Standby (W)	-	Power Factor (P = 100 % / P = 50 %)	-
Inrush Current	-	Light source	-
Kelvin	3500	CRI	90
SDCM	-	Lumen	-
Watt	-	Efficacy	-
Light control	-	Min. Dim Level (%)	-
UGR Transversal / Axial	-	L80B50 (hours)	-
Driver life	-		

MOONSETTER

The sculptural floor lamp in chrome-plated aluminum has a rotating disc that allows customization of the reflection of the glare-free light emitted by the LED light source elegantly submerged in the frame. The disc rotates 360° around its own axis and is white on one side and reflective on the other. Tilted towards the white side, the light becomes soft and diffuse, whereas the opposite chrome side reflects the light panel directly for a completely different expression. The light is directed according to the position of the disc. The surroundings are mirrored in the frame and the chrome side of the disc. The lamp offers stepless dimming and is turned on and off by the rotating footswitch on the cylinder.



Anne Boysen



Product info

Information

Electrical: System Wattage: 19W LED Wattage: 18W Certifications: cULus, Dry Location Protection class IP20
Controllability: Continuous dimming to off by dial switch on cylinder. Color Rendering: Ra≥90

Mounting

Cable type: Black PVC. Cable length: 8'. LED-driver: Separate, plugs into power outlet. Light control: dial on cylinder of frame. Continuous dimming to off.

Finish

High lustre chrome-plated. Disc: High lustre chrome-plated on one side and white, wet painted on the opposite side.

Materials

Frame: High lustre chrome-plated solid cast aluminum. Cylinder and switch: High lustre chrome-plated extruded aluminum. Disc: Solid cast aluminum. High lustre chrome-plated on one side and white on the opposite side. Opal silicone diffuser.

Sizes and weight

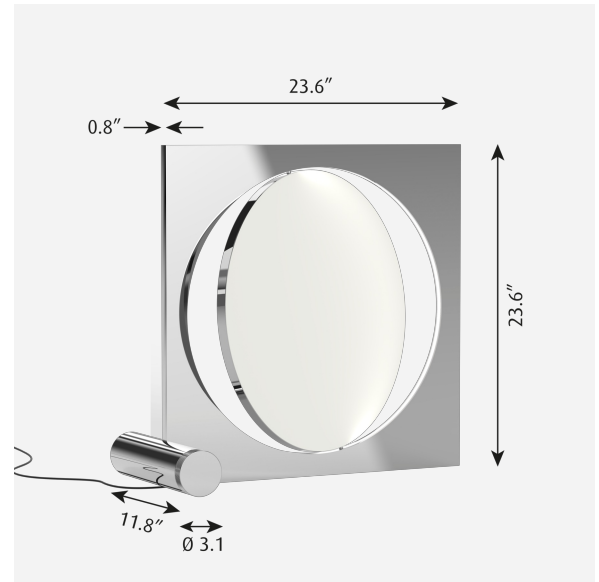
Width x Height x Length (in.) | 11.8 x 23.6 x 25.2 Max 44.1 lbs

Compliance

cULus, Dry location.

Information

Electrical:
System Wattage: 19W
LED Wattage: 18W
Certifications:
cULus, Dry Location
Protection class IP20
Controllability: Continuous dimming to off by dial switch on cylinder.
Color Rendering: Ra≥90



Product variants

Dimension

600x600

Product description

The sculptural floor lamp in chrome-plated aluminum has a rotating disc that allows customization of the reflection of the glare-free light emitted by the LED light source elegantly submerged in the frame. The disc rotates 360° around its own axis and is white on one side and reflective on the other. Tilted towards the white side, the light becomes soft and diffuse, whereas the opposite chrome side reflects the light panel directly for a completely different expression. The light is directed according to the position of the disc. The surroundings are mirrored in the frame and the chrome side of the disc. The lamp offers stepless dimming and is turned on and off by the rotating footswitch on the cylinder.

Mounting

Cable type: Black PVC.
Cable length: 8'.
LED-driver: Separate, plugs into power outlet.
Light control: dial on cylinder of frame.
Continuous dimming to off.

Light description

Indirect lighting effect is achieved through the LEDs housed around the circular opening and reflected off of the disc. Disc rotates 360° manually, with one side painted white and the other side is chrome-plated.

Design

Anne Boysen

Material

Frame: High lustre chrome-plated solid cast aluminum.
Cylinder and switch: High lustre chrome-plated extruded aluminum.
Opal silicone diffuser.
Disc: Solid cast aluminum. High lustre chrome-plated on one side and white on the opposite side.

Weight

44.125

Dimensions

600x600

Finish

High lustre chrome/white