

---

# PH 2/1 TABLE

Designed by Poul Henningsen

---



---

## Technical specifications

### Materials

Shades: Hand-blown white opal glass. Top plate: Brass metallized, black metallized or high lustre chrome plated, machined brass.  
Base and stem: Brass metallized, black metallized or high lustre chrome plated, brass.

### Finishes

Brass metallized, black metallized or high lustre chrome plated.  
White opal glass.

### Mounting

Cord with plug.  
Cord length: 10'.  
On/off switch provided. For mounting instructions, see download section on the product detail page.

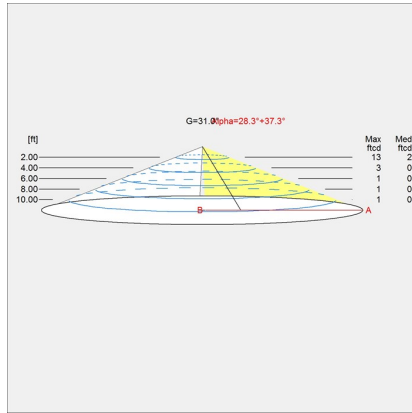
---

# PH 2/1 TABLE

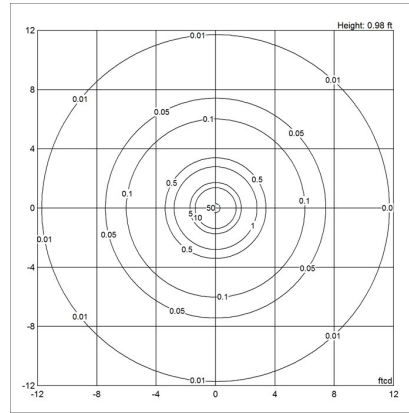
Designed by Poul Henningsen

## Light distribution diagrams

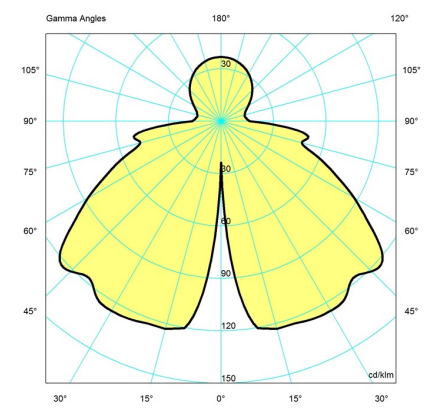
CARTESIAN



ISOLUX



POLAR



## Variant Options

For particular variant options, please check our online Product Variants Configurator on the product detail page.

VARIANT NO.	LIGHT SOURCE	VOLTAGE/FRQ	LUMEN	FEATURES	CABLE
5744907105	1x4W T-4 G9	120V	304	-	White cord
5744907118	1x4W T-4 G9	120V	304	-	Black cord
5744907121	1x4W T-4 G9	120V	304	-	Black cord

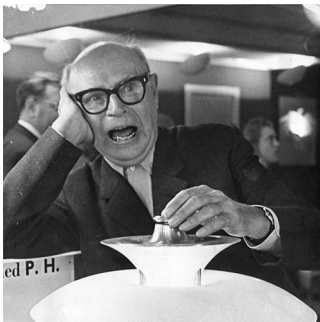
## Variants

VARIANT NUMBER	COLOR, RAL	W / H / L (IN) / W (LB)
5744907105	BRASS METALLISED	7.9 / 14 / 7.9 IN / 3.4 LB
5744907118	HIGH LUSTRE CHROME PLATED, 900	7.9 / 14 / 7.9 IN / 3.4 LB
5744907121	BLACK METALIZED, 906	7.9 / 14 / 7.9 IN / 3.4 LB

# PH 2/1 TABLE

1x4W T-4 G9 / 120V / Brass metallised / White cord / - / - / 5744907105

The fixture provides soft lighting. PH 2/1 is designed on the principle of a reflecting multi-shade system, creating harmonious and glare-free lighting. The shade design is based on a logarithmic spiral, with the center of the light source placed in the spiral's focal point.



## Poul Henningsen

Poul Henningsen was born in Copenhagen by the famous Danish writer Agnes Henningsen. He never graduated as an architect, but studied at The Technical School at Frederiksberg, Denmark from 1911-14, and then at Technical College in Copenhagen from 1914-17.



**Private  
residence, Sipoo**



**Vinbar Ved Stranden**

**louis poulsen**

**Design to Shape Light**

[louis Poulsen.com](http://louis Poulsen.com)

## Product info

### Mounting

Cord with plug. Cord length: 10'. On/off switch provided.

### Finish

Brass metallized, black metallized or high lustre chrome plated. White opal glass.

### Materials

Shades: Hand-blown white opal glass. Top plate: Brass metallized, black metallized or high lustre chrome plated, machined brass. Base and stem: Brass metallized, black metallized or high lustre chrome plated, brass.

### Sizes and weight

Width x Height x Length (in.) | 7.9 x 14 x 7.9 Max 3.4 lbs

### Compliance

cULus, Dry location.

### Light source

1x4W T-4 G9

## Related products



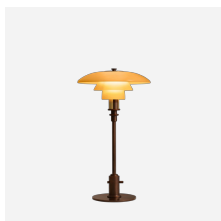
PH 2/1 Stem Fitting



PH 2/1 Wall



PH 2/1 Pendant

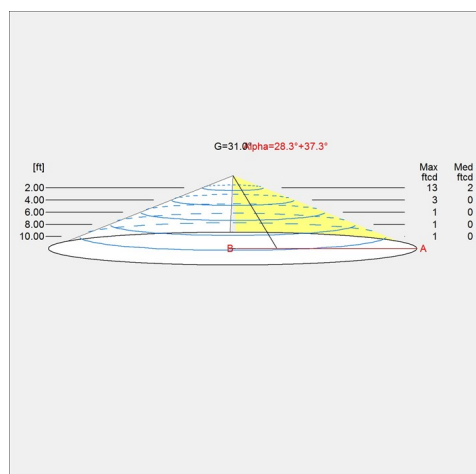


PH 2/1 Aged Brass Table Lamp

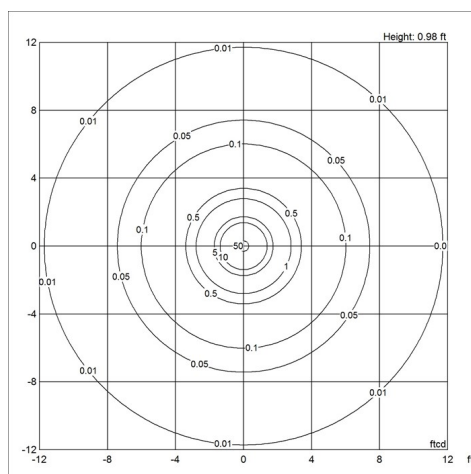


# Light distribution diagrams

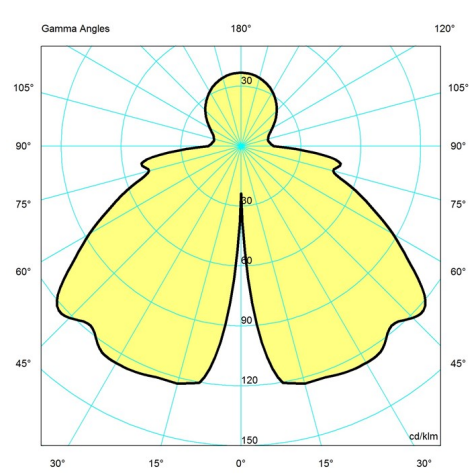
## Cartesian



## Isolux



## Polar



## Spare parts & accessories

Product	Variant number
PH 2/1 middle shade glass	5741084940
PH 2/1 lower shade glass	5741084953
PH 2/1 top shade glass Table/Wall	5741084937
PH 2/1 Table diffuser glass	5744164317
PH 2/1 Table, Chrome plated shadeholder	5744164320
PH 2/1 Table, Black metallised shadeholder	5744164333
PH 2/1 Table, Brass metallised shadeholder	5744164362
PH 2/1 Table, Amber lower shade	5744169396
PH 2/1 Table, Amber middle shade	5744169406
PH 2/1 Table, Amber top shade	5744169419

## Data specifications

Colour

Brass metallised

Length

7.9

## PH 2/1 Table

Width	<b>7.9</b>
Built-in Height	-
Class	-
Standby (W)	-
Inrush Current	-
Kelvin	-
SDCM	-
Watt	<b>4.0</b>
Light control	-
UGR Transversal / Axial	<b>17.4/17.4</b>
Driver life	-

Height	<b>14</b>
IP class	<b>20</b>
Net Weight	<b>3.4</b>
Power Factor (P = 100 % / P = 50 %)	-
Light source	<b>1x4W T-4 G9</b>
CRI	-
Lumen	<b>304</b>
Efficacy	<b>76</b>
Min. Dim Level (%)	-
L80B50 (hours)	-