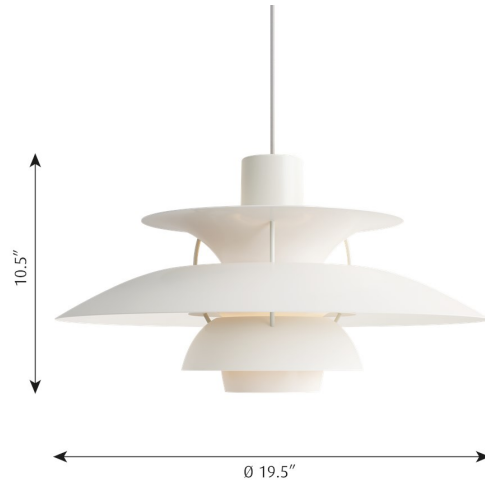


---

# PH 5

Designed by Poul Henningsen

---



---

## Technical specifications

---

# PH 5

Designed by Poul Henningsen

---

## Materials

Lower shade: Spun steel.

Other shades and anti-glare disc: Spun aluminium, spun copper or spun brass. Struts: Rolled aluminium.

Diffuser: Frosted glass.

---

## Finishes

Matt powder coated or Matt wet painted.

Powder coated: White Classic, White Modern and Metal finishes.

Wet painted: Monochromes, Pastels and Hues Of finishes.

Raw: The metal surface is raw after being stripped of previous paint. As a result of the stripping process, the finish of the aluminum surface naturally varies between darker and lighter tones. The lower shade is made of steel and has a different surface that may encounter occasional rust.

Please note that the copper and brass surface is untreated. This means that the surface will change over time and develop a patina.

---

## Mounting

Canopy and cord: Black for Monochrome Black, White for all other colors. Cord type: 3-conductor, 18 AWG cloth-covered power cord. Cord length: 12 feet. For mounting instructions, see download section on the product detail page.

## Information

Color of anti-glare disc:

Blue: White Classic, Monochrome Blue and Hues of Orange.

Green: Hues of Red and Hues of Rose.

Red: Hues of Green and Hues of Blue.

Rose: Pastel Blue Rose Peach, Hues of Grey and White Modern.

Peach: Pastel Oyster Blue Rose.

Raw: Raw.

Same color/material as main shade on Monochrome and Metal variants.

Color of struts:

Purple: White Classic.

Bronze colored: White Modern and Hues of colors.

White: Copper, Brass and Pastels.

Raw: Raw.

Same color as main shade on Monochrome variants.

Cable and canopy:

Monochrome Black: Black cable and canopy.

All others: White cable and canopy.

Please note that the copper and brass surface is untreated. This means that the surface will change over time and develop a patina. This process may have already begun when the product is delivered. For the E-socket product variants, bulbs are not included. LED light source is part of the product.

---

## SPECIFICATION NOTES

For the Raw version please notice the shades may appear with small irregularities, crookedness, and dents. Please note that the metal surface is treated with a dry lubricant to prevent further patination. The lower steel shade will corrode over time unless it is treated further.

If preferred, applying a dry lubricant every now and then will help maintain the original raw- metal finish.

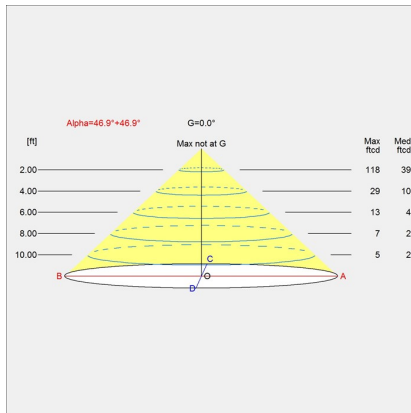
---

# PH 5

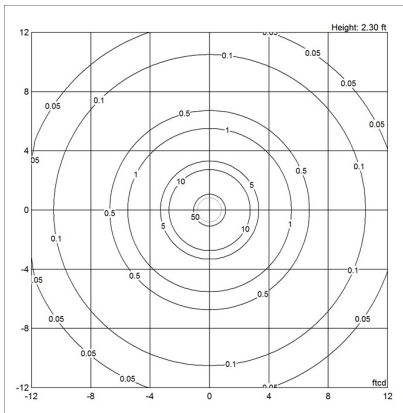
Designed by Poul Henningsen

## Light distribution diagrams

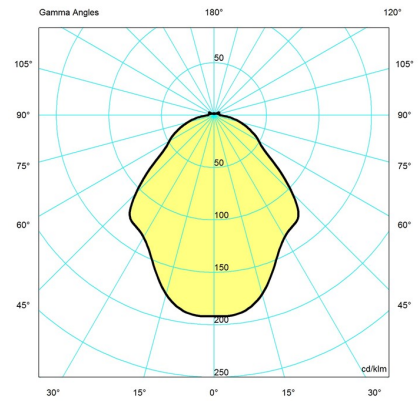
CARTESIAN



ISOLUX



POLAR



---

# PH 5

Designed by Poul Henningsen

---

## Variant Options

For particular variant options, please check our online Product Variants Configurator on the product detail page.

VARIANT NO.	LIGHT SOURCE	VOLTAGE/FRQ	LUMEN	FEATURES	CABLE
5741918032	1x22W A-21/medium	120V	1113	-	White fabric cord
5741918045	1x22W A-21/medium	120V	1075	-	White fabric cord
5741918058	1x22W A-21/medium	120V	1113	-	White fabric cord
5741918061	1x22W A-21/medium	120V	1113	-	White fabric cord
5741918074	1x22W A-21/medium	120V	1075	-	White fabric cord
5741918087	1x22W A-21/medium	120V	1075	-	White fabric cord
5741918090	1x22W A-21/medium	120V	1002	-	White fabric cord
5741918100	1x22W A-21/medium	120V	1187	-	White fabric cord
5741918113	1x22W A-21/medium	120V	1002	-	White fabric cord
5741919277	1x22W A-21/medium	120V	1002	-	White fabric cord
5741934207	1x22W A-21/medium	120V	891	-	White fabric cord
5741934304	1x22W A-21/medium	120V	1117	-	White fabric cord
5741934854	1x22W A-21/medium	120V	882	-	Black fabric cord
5741940042	1x22W A-21/medium	120V	1002	-	White fabric cord
5741940097	1x22W A-21/medium	120V	1002	-	White fabric cord
5741940149	1x22W A-21/medium	120V	1002	-	White fabric cord
5741940194	1x22W A-21/medium	120V	1002	-	White fabric cord
5741942613		120V		-	White textile
5741944718		120V		-	White fabric cord
5741944763		120V		-	White fabric cord
5741944815		120V		-	Black fabric cord
5741944860		120V		-	Black fabric cord

---

---

# PH 5

Designed by Poul Henningsen

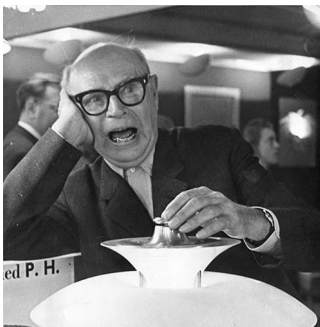
---

## Variants

VARIANT NUMBER	COLOR, RAL	W / H / L (IN) / W (LB)
5741918032	HUES OF ROSE, 329	19.5 / 10.5 / 19.5 IN / 4.9 LB
5741918045	HUES OF GREY, 333	19.5 / 10.5 / 19.5 IN / 4.9 LB
5741918058	HUES OF ORANGE, 328	19.5 / 10.5 / 19.5 IN / 4.9 LB
5741918061	HUES OF RED, 330	19.5 / 10.5 / 19.5 IN / 4.9 LB
5741918074	HUES OF GREEN, 331	19.5 / 10.5 / 19.5 IN / 4.9 LB
5741918087	HUES OF BLUE, 332	19.5 / 10.5 / 19.5 IN / 4.9 LB
5741918090	COP LAC, 930	19.5 / 10.5 / 19.5 IN / 8.0 LB
5741918100	WHITE MODERN, 337	19.5 / 10.5 / 19.5 IN / 4.9 LB
5741918113	WHITE CLASSIC, 336	19.5 / 10.5 / 19.5 IN / 4.7 LB
5741919277	BRASS, 936	19.5 / 10.5 / 19.5 IN / 7.0 LB
5741934207	MONOCHROME BLUE	19.5 / 10.5 / 19.5 IN / 4.8 LB
5741934304	MONOCHROME WHITE	19.5 / 10.5 / 19.5 IN / 4.9 LB
5741934854	MONOCHROME BLACK	19.5 / 10.5 / 19.5 IN / 4.9 LB
5741940042	MONOCHROME PALE ROSE	19.5 / 10.5 / 19.5 IN / 4.8 LB
5741940097	MONOCHROME OYSTER GREY	19.5 / 10.5 / 19.5 IN / 4.8 LB
5741940149	PASTELS BLUE ROSE PEACH	19.5 / 10.5 / 19.5 IN / 4.9 LB
5741940194	PASTELS OYSTER BLUE ROSE	19.5 / 10.5 / 19.5 IN / 4.9 LB
5741942613	WHITE/BRASS, 220	- / - / - IN / 2.2 LB
5741944718	MONOCHROME PALE PEWTER	- / - / - IN / 4.8 LB
5741944763	MONOCHROME PALE BLUSH	- / - / - IN / 4.8 LB
5741944815	MONOCHROME BURGUNDY	- / - / - IN / 4.9 LB
5741944860	MONOCHROME DUSTY INDIGO	- / - / - IN / 4.9 LB

# PH 5

The fixture provides a comfortable, glare-free light based on the principle of Poul Henningsen's reflective three-shade system, which directs the majority of the light downward. It emits a lateral light as well as illuminating itself, providing a soft radiance from within its core. The lower shade is fitted with a frosted-glass diffuser to ensure that the downwardly directed light is 100% glare-free.



## Poul Henningsen

Poul Henningsen was born in Copenhagen by the famous Danish writer Agnes Henningsen. He never graduated as an architect, but studied at The Technical School at Frederiksberg, Denmark from 1911-14, and then at Technical College in Copenhagen from 1914-17.



Restaurant  
Madsen



# Product info

## Environmental Product Specification

This product is compliant with the requirements contained in the European Directives, RoHS Directive 2011/65 and 2015/863. This product is designed so that 100% of the product can be disassembled and reused.

## Information

Color of anti-glare disc: Blue: White Classic, Monochrome Blue and Hues of Orange. Green: Hues of Red and Hues of Rose. Red: Hues of Green and Hues of Blue. Rose: Pastel Blue Rose Peach, Hues of Grey and White Modern. Peach: Pastel Oyster Blue Rose. Raw: Raw. Same color/material as main shade on Monochrome and Metal variants. Color of struts: Purple: White Classic. Bronze colored: White Modern and Hues of colors. White: Copper, Brass and Pastels. Raw: Raw. Same color as main shade on Monochrome variants. Cable and canopy: Monochrome Black: Black cable and canopy. All others: White cable and canopy. Please note that the copper and brass surface is untreated. This means that the surface will change over time and develop a patina. This process may have already begun when the product is delivered.

## Mounting

Canopy and cord: Black for Monochrome Black, White for all other colors. Cord type: 3-conductor, 18 AWG cloth-covered power cord. Cord length: 12 feet.

## Finish

Matt powder coated or Matt wet painted. Powder coated: White Classic, White Modern and Metal finishes. Wet painted: Monochromes, Pastels and Hues Of finishes. Raw: The metal surface is raw after being stripped of previous paint. As a result of the stripping process, the finish of the aluminum surface naturally varies between darker and lighter tones. The lower shade is made of steel and has a different surface that may encounter occasional rust. Please note that the copper and brass surface is untreated. This means that the surface will change over time and develop a patina.

## Materials

Lower shade: Spun steel. Other shades and anti-glare disc: Spun aluminium, spun copper or spun brass. Struts: Rolled aluminium. Diffuser: Frosted glass.

## Sizes and weight

Width x Height x Length (in.) | 19.5 x 10.5 x 19.5 Max 8.0 lbs

## Compliance

cULus, Damp location.

## Specification notes

For the Raw version please notice the shades may appear with small irregularities, crookedness, and dents. Please note that the metal surface is treated with a dry lubricant to prevent further patination. The lower steel shade will corrode over time unless it is treated further. If preferred, applying a dry lubricant every now and then will help maintain the original raw- metal finish.

## Information

Color of anti-glare disc:

Blue: White Classic, Monochrome Blue and Hues of Orange.

Green: Hues of Red and Hues of Rose.

Red: Hues of Green and Hues of Blue.

Rose: Pastel Blue Rose Peach, Hues of Grey and White Modern.

Peach: Pastel Oyster Blue Rose.

Raw: Raw.

Same color/material as main shade on Monochrome and Metal variants.

Color of struts:

Purple: White Classic.

Bronze colored: White Modern and Hues of colors.

White: Copper, Brass and Pastels.

Raw: Raw.

Same color as main shade on Monochrome variants.

Cable and canopy:

Monochrome Black: Black cable and canopy.

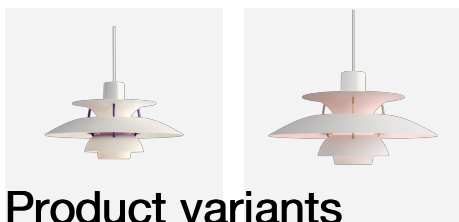
All others: White cable and canopy.

Please note that the copper and brass surface is untreated. This means that the surface will change over time and develop a patina. This process may have already begun when the product is delivered.





## Related products



## Product variants

PH 5 Mini Color	PH 5 Anniversary Edition	Cable type	Light source	Voltage frequency
<input type="radio"/> Brass		Black fabric cord	-	120V
<input type="radio"/> Copper		White fabric cord	1x22W A-21/medium	
<input type="radio"/> Hues of blue		White textile		
<input type="radio"/> Hues of green				
<input type="radio"/> Hues of grey				
<input type="radio"/> Hues of orange				
<input type="radio"/> Hues of red				
<input type="radio"/> Hues of rose				
<input type="radio"/> Matte white/pale rose				
<input type="radio"/> Monochrome black				
<input type="radio"/> Monochrome blue				
<input type="radio"/> Monochrome burgundy				
<input type="radio"/> Monochrome dusty indigo				
<input type="radio"/> Monochrome oyster grey				
<input type="radio"/> Monochrome pale blush				
<input type="radio"/> Monochrome pale pewter				
<input type="radio"/> Monochrome pale rose				
<input type="radio"/> Monochrome white				
<input type="radio"/> Pastels blue rose peach				
<input type="radio"/> Pastels oyster blue rose				
<input type="radio"/> White classic				
<input type="radio"/> White modern				

# Product description

Pendant of iconic design. Poul Henningsen developed the PH 5 in 1958 as a follow-up to his celebrated three-shade system. The fixture emits both downward and lateral light, thus illuminating itself. In the PH 5 Classic, a warmer tone of light is created by the inside red cone and a small blue reflector. The shades are aluminum with matte white finish on the lower surfaces, giving a soft and uniform light distribution. Available in two sizes with a wide variety of colors and materials. Copper and brass pendants are untreated and will patinate over time.

---

## Mounting

Mounts onto a 4 inch octagonal outlet box. Canopy: Flat cone profile, 5.3 IN diameter x 1 IN tall, black for monochromatic black, white for all other finishes. Cord type: 3-conductor, 18 AWG fabric-covered power cord, black for monochromatic black, white for all other finishes. Cord length: 12 feet.

---

## Light description

Spherical light distribution. The top trumpet shaped shade provides vertical illumination of the room. The three lower shades direct light downward. The curvature of the shades and their positions combined with a bottom frosted glass disk positioned inside the smallest shade limit viewing of the lamp to reduce glare. Provided with a medium base socket for the customer to provide their desired lamp.

---

## Design

Poul Henningsen

---

## Material

Shades: spun aluminum, 0.06 IN thick. Vertical struts: extruded aluminum sleeves over steel rods. Canopy is spun aluminum, 0.03 IN thick. Standard finish are matte surface powder coat with minimum 2 mils thickness in white. Wet painted colors on shade top surfaces and on sleeves.

Brass, Copper, Hues of blue, Hues of green, Hues of grey, Hues of orange, Hues of red, Hues of rose, Monochromatic black, Monochromatic blue, Monochromatic white, White classic, White modern

---

## Weight

Min: 2.247 lbs Max: 7.972 lbs

---

## Other functions

Longer cord lengths.

---

## Finish

Brass, Copper, Hues of blue, Hues of green, Hues of grey, Hues of orange, Hues of red, Hues of rose, Matte white/pale rose, Monochrome black, Monochrome blue, Monochrome burgundy, Monochrome dusty indigo, Monochrome oyster grey, Monochrome pale blush, Monochrome pale pewter, Monochrome pale rose, Monochrome white, Pastels blue rose peach, Pastels oyster blue rose, White classic, White modern

---

## Voltage

120V

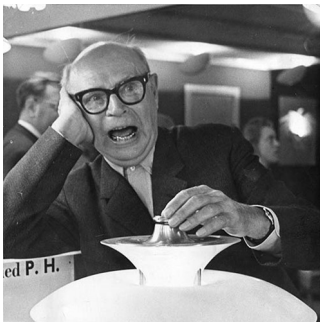
## Spare parts & accessories

Product	Variant number
Canopy White 2-part tophat ®	5749329034
Canopy Black 2-part tophat®	5749329021
Small canopy, white	S0771
Small canopy, black	10000018378
PH 5 glass disc	5741093300
PH 5 Bearing plate 10/56, t/standard susp.	5741480667
Extension nipple f/stand. suspen	5741480670
PH 5 Purple spacers	5741093407
PH 5 Bronze spacers	5741100235
PH 5 Alu spacers	5741100015
PH 5 White spacers	5741100248
PH 5 Monochrome White spacers	5741106093
PH 5 Monochrome Blue spacers	5741106103
PH 5 Monochrome Black spacers	5741106116
PH 5 electrical assembly	5741910988

# PH 5

1x22W A-21/medium / 120V / Monochrome white / White fabric cord / - / - / 5741934304

The fixture provides a comfortable, glare-free light based on the principle of Poul Henningsen's reflective three-shade system, which directs the majority of the light downward. It emits a lateral light as well as illuminating itself, providing a soft radiance from within its core. The lower shade is fitted with a frosted-glass diffuser to ensure that the downwardly directed light is 100% glare-free.



## Poul Henningsen

Poul Henningsen was born in Copenhagen by the famous Danish writer Agnes Henningsen. He never graduated as an architect, but studied at The Technical School at Frederiksberg, Denmark from 1911-14, and then at Technical College in Copenhagen from 1914-17.



## Restaurant Madsen



# Product info

## Environmental Product Specification

This product is compliant with the requirements contained in the European Directives, RoHS Directive 2011/65 and 2015/863. This product is designed so that 100% of the product can be disassembled and reused.

## Information

Color of anti-glare disc: Blue: White Classic, Monochrome Blue and Hues of Orange. Green: Hues of Red and Hues of Rose. Red: Hues of Green and Hues of Blue. Rose: Pastel Blue Rose Peach, Hues of Grey and White Modern. Peach: Pastel Oyster Blue Rose. Raw: Raw. Same color/material as main shade on Monochrome and Metal variants. Color of struts: Purple: White Classic. Bronze colored: White Modern and Hues of colors. White: Copper, Brass and Pastels. Raw: Raw. Same color as main shade on Monochrome variants. Cable and canopy: Monochrome Black: Black cable and canopy. All others: White cable and canopy. Please note that the copper and brass surface is untreated. This means that the surface will change over time and develop a patina. This process may have already begun when the product is delivered.

## Mounting

Canopy and cord: Black for Monochrome Black, White for all other colors. Cord type: 3-conductor, 18 AWG cloth-covered power cord. Cord length: 12 feet.

## Finish

Matt powder coated or Matt wet painted. Powder coated: White Classic, White Modern and Metal finishes. Wet painted: Monochromes, Pastels and Hues Of finishes. Raw: The metal surface is raw after being stripped of previous paint. As a result of the stripping process, the finish of the aluminum surface naturally varies between darker and lighter tones. The lower shade is made of steel and has a different surface that may encounter occasional rust. Please note that the copper and brass surface is untreated. This means that the surface will change over time and develop a patina.

## Materials

Lower shade: Spun steel. Other shades and anti-glare disc: Spun aluminium, spun copper or spun brass. Struts: Rolled aluminium. Diffuser: Frosted glass.

## Sizes and weight

Width x Height x Length (in.) | 19.5 x 10.5 x 19.5 Max 8.0 lbs

## Compliance

cULus, Damp location.

## Specification notes

For the Raw version please notice the shades may appear with small irregularities, crookedness, and dents. Please note that the metal surface is treated with a dry lubricant to prevent further patination. The lower steel shade will corrode over time unless it is treated further. If preferred, applying a dry lubricant every now and then will help maintain the original raw- metal finish.

## Light source

1x22W A-21/medium

## Information

Color of anti-glare disc:

Blue: White Classic, Monochrome Blue and Hues of Orange.

Green: Hues of Red and Hues of Rose.

Red: Hues of Green and Hues of Blue.

Rose: Pastel Blue Rose Peach, Hues of Grey and White Modern.

Peach: Pastel Oyster Blue Rose.

Raw: Raw.

Same color/material as main shade on Monochrome and Metal variants.

Color of struts:

Purple: White Classic.

Bronze colored: White Modern and Hues of colors.

White: Copper, Brass and Pastels.

Raw: Raw.

Same color as main shade on Monochrome variants.

Cable and canopy:

Monochrome Black: Black cable and canopy.

All others: White cable and canopy.

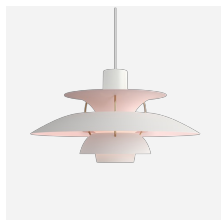
Please note that the copper and brass surface is untreated. This means that the surface will change over time and develop a patina. This process may have already begun when the product is delivered.



## Related products



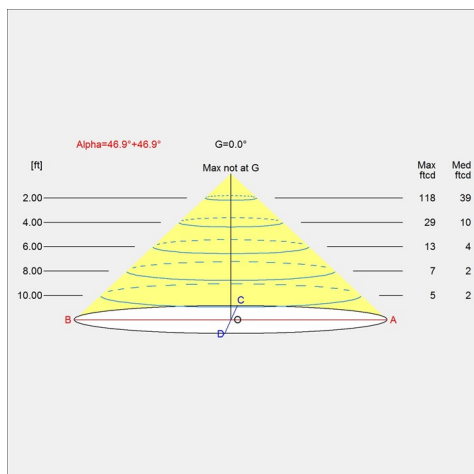
PH 5 Mini



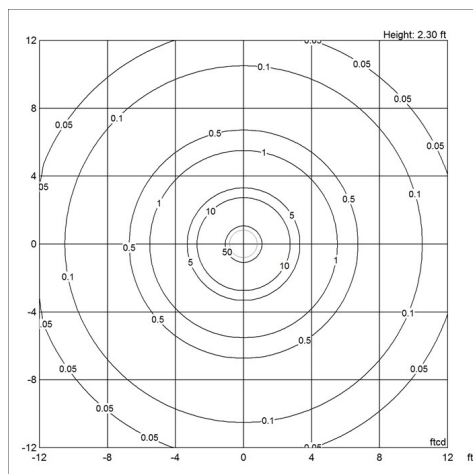
PH 5 Anniversary Edition

# Light distribution diagrams

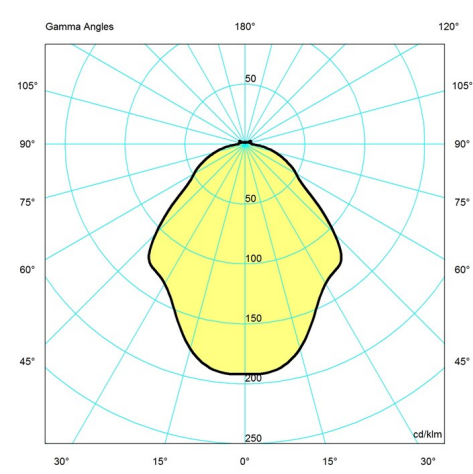
Cartesian



Isolux



Polar



## Spare parts & accessories

Product	Variant number
Canopy White 2-part tophat @	5749329034
Canopy Black 2-part tophat@	5749329021
Small canopy, white	S0771
Small canopy, black	10000018378
PH 5 glass disc	5741093300
PH 5 Bearing plate 10/56, t/standard susp.	5741480667
Extension nipple f/stand. suspen	5741480670
PH 5 Purple spacers	5741093407
PH 5 Bronze spacers	5741100235
PH 5 Alu spacers	5741100015
PH 5 White spacers	5741100248
PH 5 Monochrome White spacers	5741106093
PH 5 Monochrome Blue spacers	5741106103
PH 5 Monochrome Black spacers	5741106116
PH 5 electrical assembly	5741910988

## Data specifications

Colour	<b>Monochrome white</b>	Length	<b>19.5</b>
Width	<b>19.5</b>	Height	<b>10.5</b>
Built-in Height	-	IP class	<b>20</b>
Class	-	Net Weight	<b>4.9</b>
Standby (W)	-	Power Factor (P = 100 % / P = 50 %)	-
Inrush Current	-	Light source	<b>1x22W A-21/medium</b>
Kelvin	-	CRI	-
SDCM	-	Lumen	<b>1117</b>
Watt	<b>22</b>	Efficacy	<b>51</b>
Light control	-	Min. Dim Level (%)	-
UGR Transversal / Axial	<b>14.3/14.3</b>	L80B50 (hours)	-
Driver life	-		