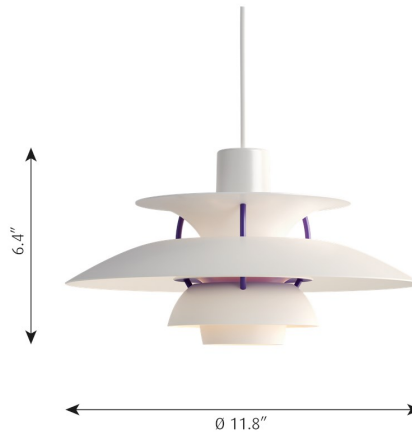

PH 5 MINI

Designed by Poul Henningsen



Technical specifications

Materials

Shades and anti-glare disc: Spun aluminum, spun copper or spun brass. Struts: rolled aluminum.

Finishes

Matt powder coated or Matt wet painted.

Powder coated: White Classic, White Modern and Metal finishes.

Wet painted: Monochromes, Pastels and Hues Of finishes.

Please note that the copper and brass surface is untreated. This means that the surface will change over time and develop a patina.

Mounting

Canopy and cord: Black for Monochrome Black, White for all other colors. Cord type: 3-conductor, 18 AWG cloth-covered power cord. Cord length: 12 feet. For mounting instructions, see download section on the product detail page.

Information

Electrical:

System Wattage: 6W

LED Wattage: 6 W

Delivered lumens: 156 - 142

Efficacy: 26.0 lm/W - 23.7 lm/W

Certifications:

cULus, Damp Location

Protection class IP20

Controllability: Phase dimming

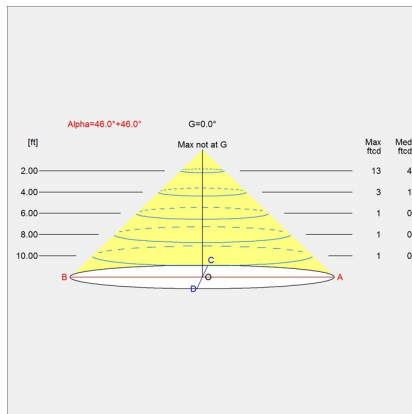
Actual performance dependent upon screw-base lamp used. For the E-socket product variants, bulbs are not included. LED light source is part of the product.

PH 5 MINI

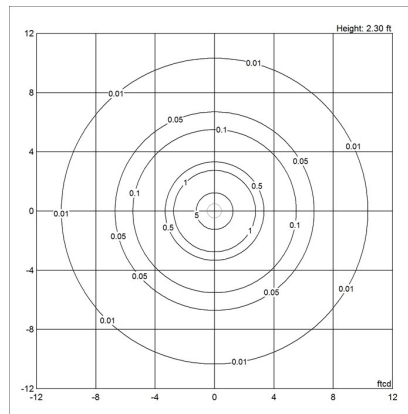
Designed by Poul Henningsen

Light distribution diagrams

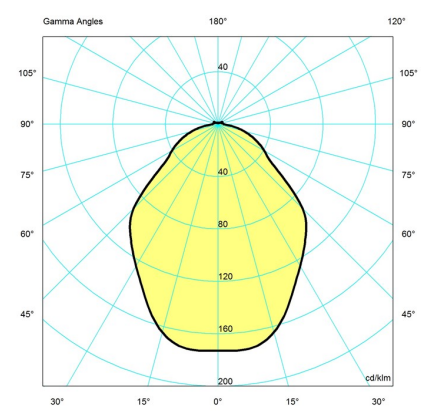
CARTESIAN



ISOLUX



POLAR



Variant Options

For particular variant options, please check our online Product Variants Configurator on the product detail page.

VARIANT NO.	LIGHT SOURCE	VOLTAGE/FRQ	LUMEN	FEATURES	CABLE
10000142110	1x10W A-15/medium	120V	117	-	White fabric cord
10000142113	1x10W A-15/medium	120V	156	-	White fabric cord
10000142115	1x10W A-15/medium	120V	142	-	White fabric cord
10000142116	1x10W A-15/medium	120V	142	-	White fabric cord
10000142117	1x10W A-15/medium	120V	147	-	White fabric cord
10000142118	1x10W A-15/medium	120V	147	-	White fabric cord
10000142119	1x10W A-15/medium	120V	147	-	White fabric cord
5741917457	1x10W A-15/medium	120V	142	-	White fabric cord
5741918223	1x10W A-15/medium	120V	117	-	White fabric cord
5741919251	1x10W A-15/medium	120V	117	-	White fabric cord
5741934359	1x10W A-15/medium	120V	259	-	White fabric cord
5741934456	1x10W A-15/medium	120V	334	-	White fabric cord
5741934906	1x10W A-15/medium	120V	258	-	Black fabric cord
5741944488	1x10W A-15/medium	120V	-	-	White fabric cord
5741944530	1x10W A-15/medium	120V	-	-	White fabric cord
5741944585	1x10W A-15/medium	120V	-	-	Black fabric cord
5741944637	1x10W A-15/medium	120V	-	-	Black fabric cord

PH 5 MINI

Designed by Poul Henningsen

Variants

VARIANT NUMBER	COLOR, RAL	W / H / L (IN) / W (LB)
10000142110	WHITE CLASSIC, 336	11.8 / 6.4 / 11.8 IN / 2.0 LB
10000142113	WHITE MODERN, 337	11.8 / 6.4 / 11.8 IN / 2.0 LB
10000142115	HUES OF GREEN, 331	11.8 / 6.4 / 11.8 IN / 2.0 LB
10000142116	HUES OF GREY, 333	11.8 / 6.4 / 11.8 IN / 2.0 LB
10000142117	HUES OF ORANGE, 328	11.8 / 6.4 / 11.8 IN / 2.0 LB
10000142118	HUES OF RED, 330	11.8 / 6.4 / 11.8 IN / 2.0 LB
10000142119	HUES OF ROSE, 329	11.8 / 6.4 / 11.8 IN / 2.0 LB
5741917457	HUES OF BLUE, 332	11.8 / 6.4 / 11.8 IN / 2.7 LB
5741918223	COP LAC, 930	11.8 / 6.4 / 11.8 IN / 5.0 LB
5741919251	BRASS, 936	11.8 / 6.4 / 11.8 IN / 3.9 LB
5741934359	MONOCHROME BLUE	11.8 / 6.4 / 11.8 IN / 2.7 LB
5741934456	MONOCHROME WHITE	11.8 / 6.4 / 11.8 IN / 2.7 LB
5741934906	MONOCHROME BLACK	11.8 / 6.4 / 11.8 IN / 2.7 LB
5741944488	MONOCHROME PALE PEWTER	11.8 / 6.4 / 11.8 IN / 3.1 LB
5741944530	MONOCHROME PALE BLUSH	11.8 / 6.4 / 11.8 IN / 3.1 LB
5741944585	MONOCHROME BURGUNDY	11.8 / 6.4 / 11.8 IN / 3.1 LB
5741944637	MONOCHROME DUSTY INDIGO	11.8 / 6.4 / 11.8 IN / 3.1 LB

PH 5 Mini

Kelvin	-
SDCM	-
Watt	6.0
Light control	-
UGR Transversal / Axial	9.5/9.5
Driver life	-

CRI	-
Lumen	117
Efficacy	20
Min. Dim Level (%)	-
L80B50 (hours)	-

PH 5 MINI

The fixture provides 100% glare-free light. Its design is based on the principle of a reflective three-shade system that directs most of the light downward. The fixture emits both downward and lateral light, thus illuminating itself.

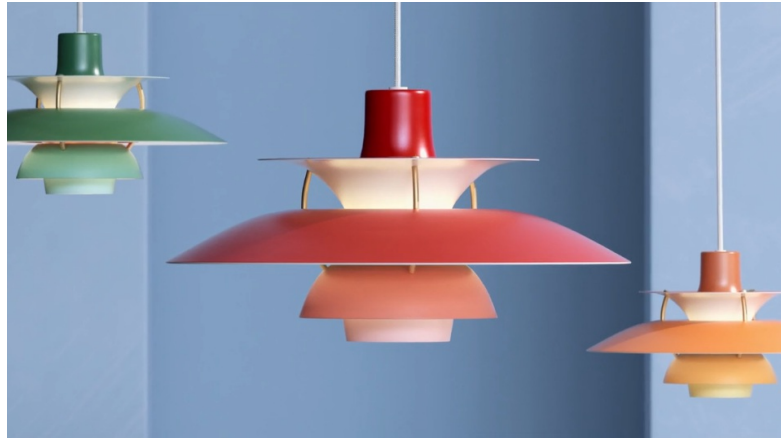


Poul Henningsen

Poul Henningsen was born in Copenhagen by the famous Danish writer Agnes Henningsen. He never graduated as an architect, but studied at The Technical School at Frederiksberg, Denmark from 1911-14, and then at Technical College in Copenhagen from 1914-17.



Set location -
The Qvest



Product info

Environmental Product Specification

This product is compliant with the requirements contained in the European Directives, RoHS Directive 2011/65 and 2015/863. This product is designed so that 100% of the product can be disassembled and reused.

Information

Electrical: System Wattage: 6W LED Wattage: 6 W Delivered lumens: 156 - 142 Efficacy: 26.0 lm/W - 23.7 lm/W
 Certifications: cULus, Damp Location Protection class IP20 Controllability: Phase dimming Actual performance dependent upon screw-base lamp used.

Mounting

Canopy and cord: Black for Monochrome Black, White for all other colors. Cord type: 3-conductor, 18 AWG cloth-covered power cord. Cord length: 12 feet.

Finish

Matt powder coated or Matt wet painted. Powder coated: White Classic, White Modern and Metal finishes. Wet painted: Monochromes, Pastels and Hues Of finishes. Please note that the copper and brass surface is untreated. This means that the surface will change over time and develop a patina.

Materials

Shades and anti-glare disc: Spun aluminum, spun copper or spun brass. Struts: rolled aluminum.

Sizes and weight

Width x Height x Length (in.) | 11.8 x 6.4 x 11.8 Max 5.0 lbs

Compliance

cULus, Damp location.

Light source

1x10W A-15/medium

Information

Electrical:
 System Wattage: 6W
 LED Wattage: 6 W
 Delivered lumens: 156 - 142
 Efficacy: 26.0 lm/W - 23.7 lm/W
 Certifications:
 cULus, Damp Location
 Protection class IP20
 Controllability: Phase dimming
 Actual performance dependent upon screw-base lamp used.



Related products



PH 5



PH 5 Anniversary Edition

Product variants

Color	Cable type	Light source	Voltage frequency
<input checked="" type="radio"/> Brass	Black fabric cord	1x10W A-15/medium	120V
<input checked="" type="radio"/> Copper	White fabric cord		
<input type="radio"/> Hues of blue			
<input type="radio"/> Hues of green			
<input type="radio"/> Hues of grey			
<input type="radio"/> Hues of orange			
<input type="radio"/> Hues of red			
<input type="radio"/> Hues of rose			
<input type="radio"/> Monochrome black			
<input type="radio"/> Monochrome blue			
<input type="radio"/> Monochrome burgundy			
<input type="radio"/> Monochrome dusty indigo			
<input type="radio"/> Monochrome pale blush			
<input type="radio"/> Monochrome pale pewter			
<input type="radio"/> Monochrome white			
<input type="radio"/> White classic			
<input type="radio"/> White modern			

Product description

The PH5 is modern interpretations of the classic PH 5. It is offered in many different new colors to fit into today's environments. As a follow-up to his celebrated three-shade system, the fixture emits both downward and lateral light, thus illuminating itself. Similar to the PH 5 Classic, a warmer tone of light is created by the inside red cone and a small blue reflector. The shades are aluminum with matte white finish on the lower surfaces, giving a soft and uniform light distribution. Available in a wide variety of colors and materials. Copper and brass pendants are untreated and will patinate over time.

Mounting

Mounts onto a 4 inch octagonal outlet box. Canopy: Flat cone profile, 5.3 IN diameter x 1 IN tall, black for monochromatic black, white for all other finishes. Cord type: 3-conductor, 18 AWG fabric-covered power cord, black for monochromatic black, white for all other finishes. Cord length: 12 feet.

Light description

Spherical light distribution. The top trumpet shaped shade provides vertical illumination of the room. The three lower shades direct light downward. The curvature of the shades and their positions combined with a bottom frosted glass disk positioned inside the smallest shade limit viewing of the lamp to reduce glare. Provided with a medium base socket for the customer to provide their desired lamp.

Design

Poul Henningsen

Material

Shades: spun aluminum, 0.06 IN thick. Vertical struts: extruded aluminum sleeves over steel rods. Canopy is spun aluminum, 0.03 IN thick. Standard finish are matte surface powder coat with minimum 2 mils thickness in white. Wet painted colors on shade top surfaces and on sleeves.

Brass, Copper, Hues of blue, Hues of green, Hues of grey, Hues of orange, Hues of red, Hues of rose, Monochromatic black, Monochromatic blue, Monochromatic white, White classic, White modern

Weight

Min: 2.05 lbs Max: 5.011 lbs

Other functions

Longer cord lengths.

Finish

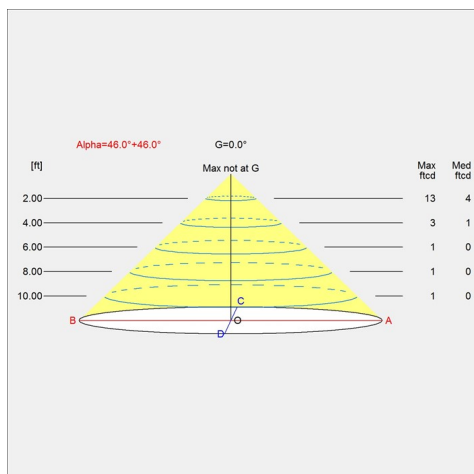
Brass, Copper, Hues of blue, Hues of green, Hues of grey, Hues of orange, Hues of red, Hues of rose, Monochrome black, Monochrome blue, Monochrome burgundy, Monochrome dusty indigo, Monochrome pale blush, Monochrome pale pewter, Monochrome white, White classic, White modern

Voltage

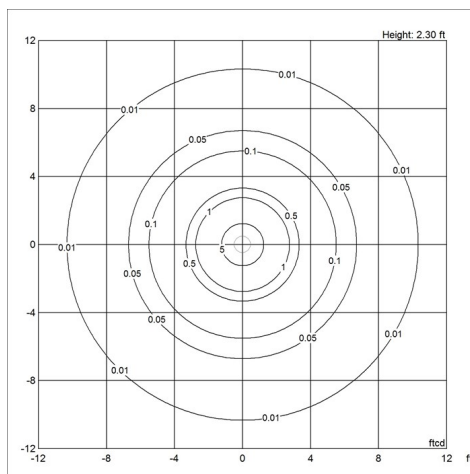
120V

Light distribution diagrams

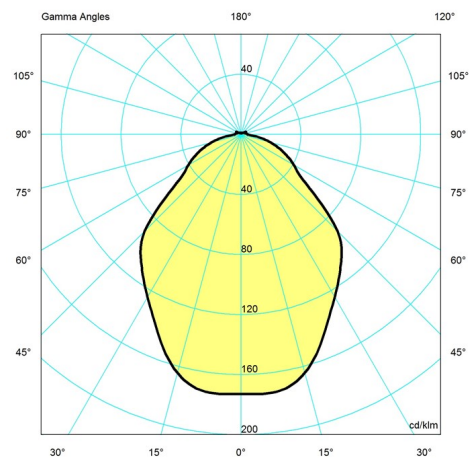
Cartesian



Isolux



Polar



Spare parts & accessories

Product

Canopy White 2-part tophat ®

Variant number

5749329034