






# Ipoli 01



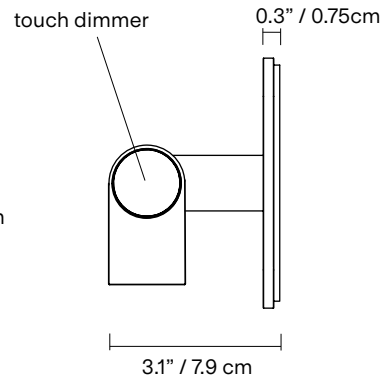
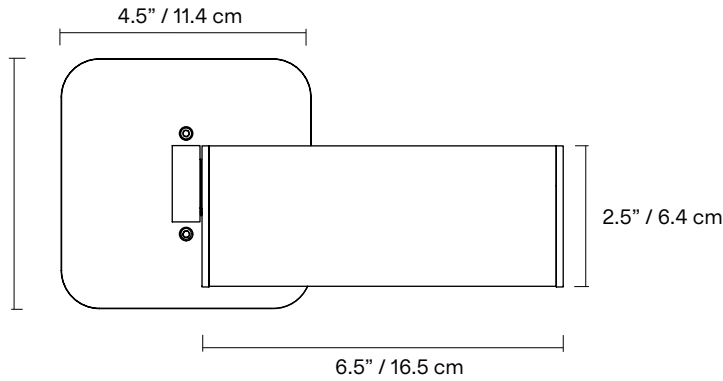
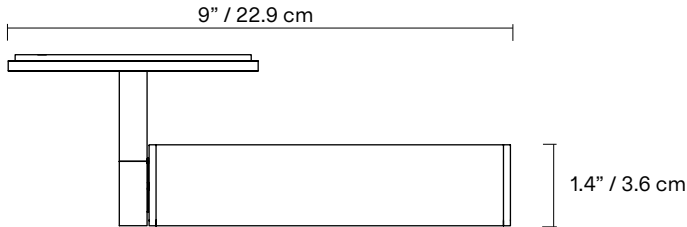
Ipoli is a decorative multifunctional collection centered on the movement of playful swiveling heads atop a slender base. The collection draws inspiration from the design tradition of utilitarian, streamlined task lamps and office lighting, while enfoldng Lambert & Fils' unique twist, both poetic and sturdy. Whether employed as a task light, ambient accent, or focal point, each piece will delight any space.

<b>TYPE</b>	Wall - Hardwire (HW) or softwire (SW) ADA compliant (HW only)
<b>CONSTRUCTION</b>	Tumbled or powder coated aluminum body, head and cover plate Frosted opal acrylic lens Vinyl cord (SW)
<b>SPECIFICATIONS</b>	Power consumption Touch dimmer: 8W Remote driver: max. 7W  Colour temperature: 3000K 2700K 2200K dim to warm 3000K to 2200K dim to warm 2700K to 2200K  Lumen output: TBD  Colour rendering index: ≥90 CRI Colour consistency: 3 SDCM Expected lifetime: ≥50 000h
<b>CONTROL</b>	<b>Touch Dimmer:</b> 120/277V touch dimmer only 220-240V touch dimmer only <b>Remote Driver</b> 120/277V on/off, 0-10V, or phase dimming (120V only) 220-240V: On/Off, Phase Dimming, DALI
<b>CORD LENGTH (SW)</b>	70" / 178 cm
<b>WEIGHT</b>	HW: 2lb / 0.9kg SW: 2.4lb / 1.1kg
<b>CERTIFICATIONS</b>	     IP20
<b>WARRANTY</b>	2 years

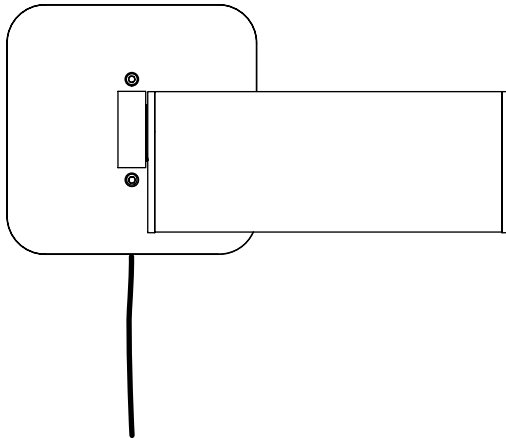
## NOTES

- Luminaire can be installed horizontally or vertically
- Luminaire in ADA configuration offers a limited swivel angle. Refer to below drawings. Available only for hardwire version.
- Note that the rotation angle dead point is different depending on the installation/orientation of the head.
- Dimensions are approximate and may vary slightly
- **Touch Dimmer:** Do not install on a dimmer switch. Must be installed on an ON/OFF switch only. (Touch only).
- **Remote Driver:** Touch dimmer not available. Driver provided. Driver housing not included for UL.

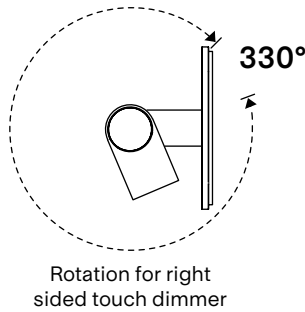
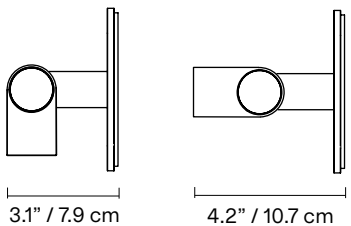
### Hardwire



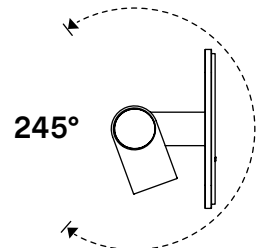
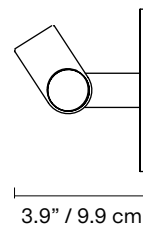
### Softwire



### Standard



### ADA compliant



## FINISH



**BG**  
Textured  
beige



**BK**  
Textured  
black



**PP**  
Textured  
poppy



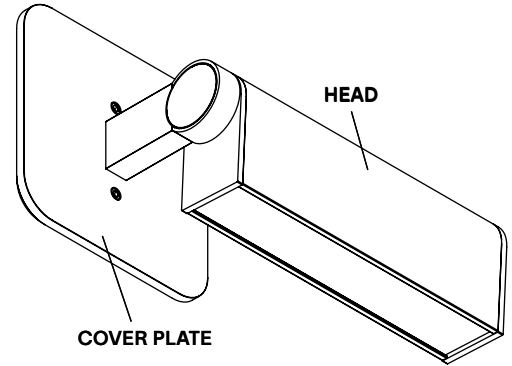
**TA**  
Tumbled  
aluminum

## NOTES

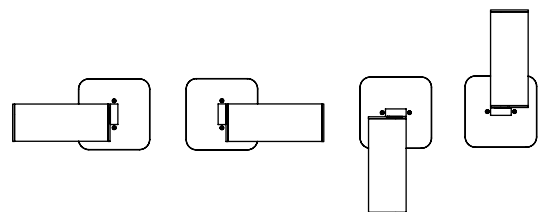
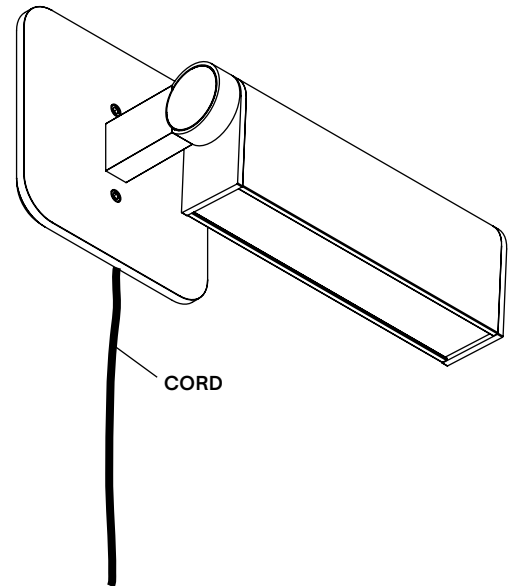
- Must be installed by an electrician (HW version only)
- LED may only be changed by Lambert & Fils or other authorized personnel
- Not protected against liquids (refer to IP20)
- Additional charges for modifications or for special orders
- Please refer to maintenance sheet on our website for cleaning instructions

## LAMP ANATOMY

### Hardwire



### Softwire



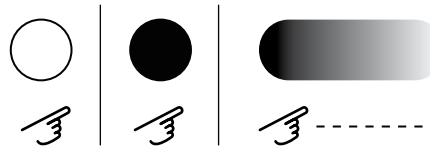
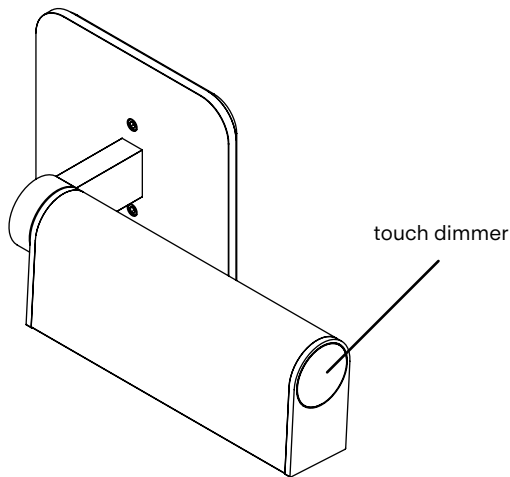
## TOUCH DIMMER

Do not install on a dimmer switch.  
Must be installed on an ON/OFF switch only.

		Example	Fill with your selection
COLLECTION	IPO Ipoli	IPO	IPO
MODEL	01	01	01
CONFIGURATION	TO Touch Dimmer	TO	TO
INSTALLATION	HW Hardwire SW Softwire	HW	
VERSION	AD ADA compliant (HW only) SD Standard	AD	
FINISH	BG Textured beige BK Textured black PP Textured poppy TA Tumbled aluminum CC Custom colour*	BG	
CORD (SW ONLY)	BK Black	BK	BK
COLOUR TEMPERATURE (CCT)	F22 Fixed 2200K F27 Fixed 2700K	F22	
FULL SKU		IPO01TOHWADBGF22	

### NOTES

\*Custom colour available upon request. Material library on website.



## REMOTE DRIVER

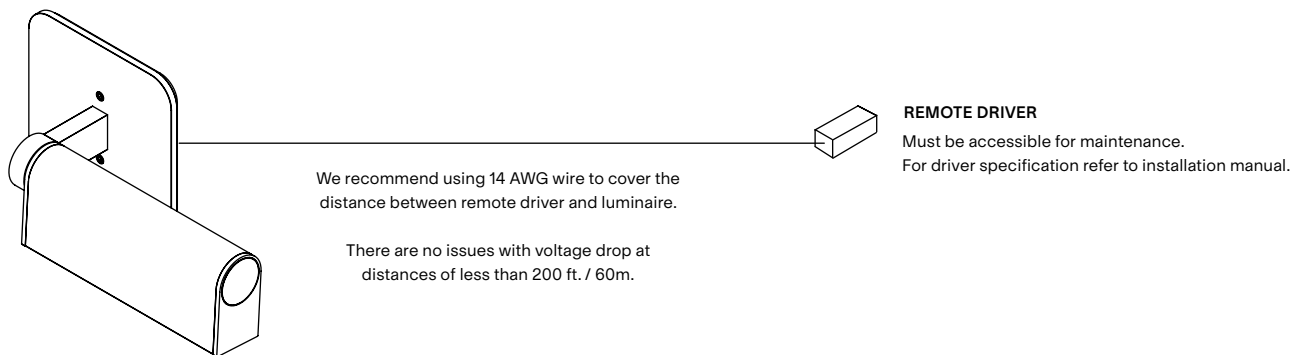
Touch dimmer not available. Driver provided. Driver housing not included for UL.

		Example	Fill with your selection
COLLECTION	IPO Ipoli	IPO	IPO
MODEL	01	01	01
CONFIGURATION	RM Remote Driver	RM	RM
INSTALLATION	HW Hardwire	HW	HW
VERSION	AD ADA compliant SD Standard	AD	
FINISH	BG Textured beige BK Textured black PP Textured poppy TA Tumbled aluminum CC Custom colour*	BG	
COLOUR TEMPERATURE (CCT)	F22 Fixed 2200K F27 Fixed 2700K F30 Fixed 3000K D27 Dim to warm 2700K-2200K D30 Dim to warm 3000K-2200K CCT Other CCT available upon request**	F22	
DIMMING	ZT 0-10V (120VAC only) PH Phase dimming DA DALI (220-240VAC only)	ZT	
FULL SKU		IPO01RMHWADBGF22ZT	

### NOTES

\*Custom colour available upon request. Material library on website.






\*\*Specific CCT selection only available in 100k increments, from 2200K to 4000K inclusively and not available with Dim-to-Warm feature.



# Ipoli 02



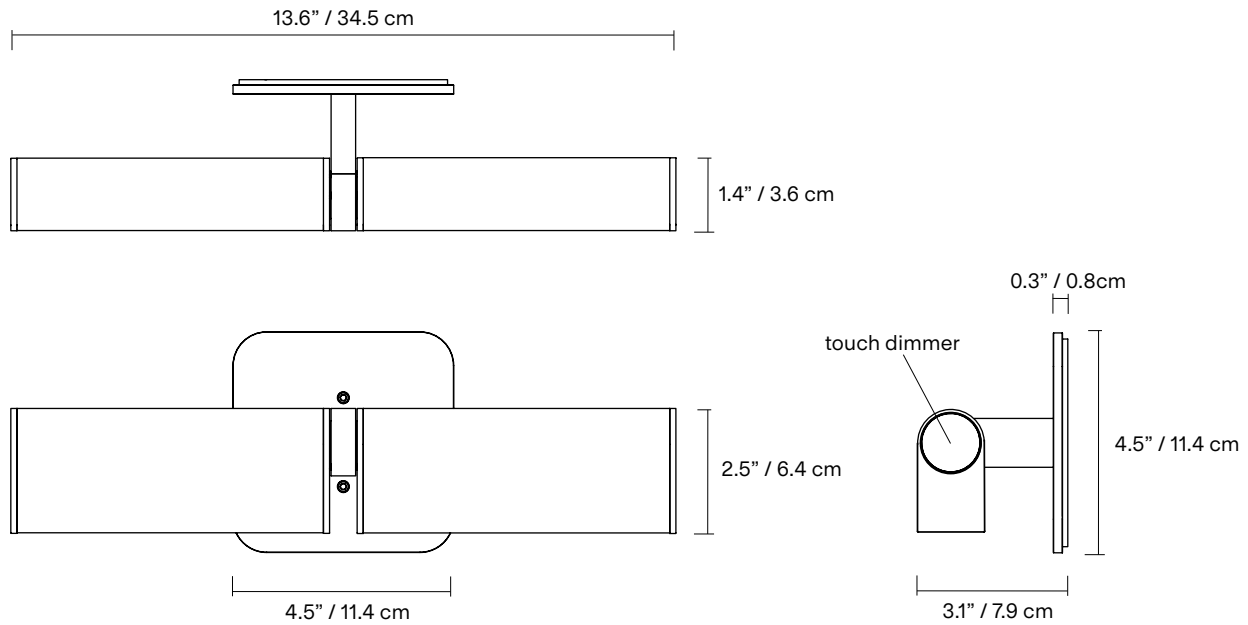
Ipoli is a decorative multifunctional collection centered on the movement of playful swiveling heads atop a slender base. The collection draws inspiration from the design tradition of utilitarian, streamlined task lamps and office lighting, while enfolding Lambert & Fils' unique twist, both poetic and sturdy. Whether employed as a task light, ambient accent, or focal point, each piece will delight any space.

<b>TYPE</b>	Wall - Hardwire (HW) or softwire (SW) ADA compliant (HW only)
<b>CONSTRUCTION</b>	Tumbled or powder coated aluminum body, head and cover plate Frosted opal acrylic lens Vinyl cord (SW)
<b>SPECIFICATIONS</b>	Power consumption Touch dimmer: 8W Remote driver: max. 13W  Colour temperature: 3000K 2700K 2200K dim to warm 3000K to 2200K dim to warm 2700K to 2200K  Lumen output: TBD  Colour rendering index: $\geq 90$ CRI Colour consistency: 3 SDCM Expected lifetime: $\geq 50,000$ h
<b>CONTROL</b>	<b>Touch Dimmer:</b> 120/277V touch dimmer only 220-240V touch dimmer only <b>Remote Driver</b> 120/277V on/off, 0-10V, or phase dimming (120V only) 220-240V: On/Off, Phase Dimming, DALI
<b>CORD LENGTH (SW)</b>	70" / 178 cm
<b>WEIGHT</b>	HW: 2.8lb / 1.3kg SW: 3.2lb / 1.5kg
<b>CERTIFICATIONS</b>	     IP20
<b>WARRANTY</b>	2 years

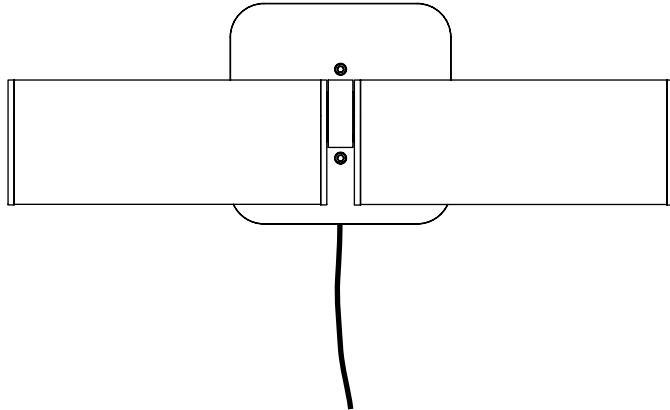
## NOTES

- Luminaire can be installed horizontally or vertically
- Luminaire in ADA configuration offers a limited swivel angle. Refer to below drawings. Available only for hardwire version.
- Note that the rotation angle dead point is different depending on the installation/orientation of the head.
- Dimensions are approximate and may vary slightly
- **Touch Dimmer:** Do not install on a dimmer switch. Must be installed on an ON/OFF switch only. (Touch only)
- **Remote Driver:** Touch dimmer not available. Driver provided. Driver housing not included for UL.

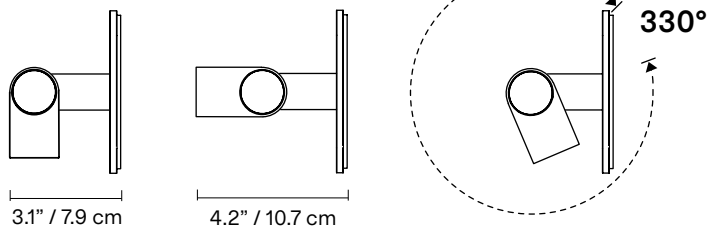
### Hardwire



### Softwire

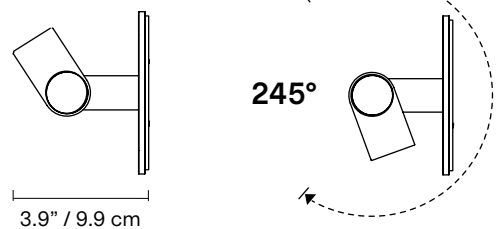


### Standard



Rotation for right sided touch dimmer

### ADA compliant



## FINISH



**BG**  
Textured  
beige



**BK**  
Textured  
black



**PP**  
Textured  
poppy



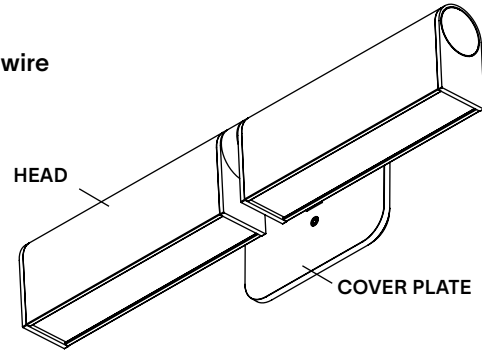
**TA**  
Tumbled  
aluminum

## NOTES

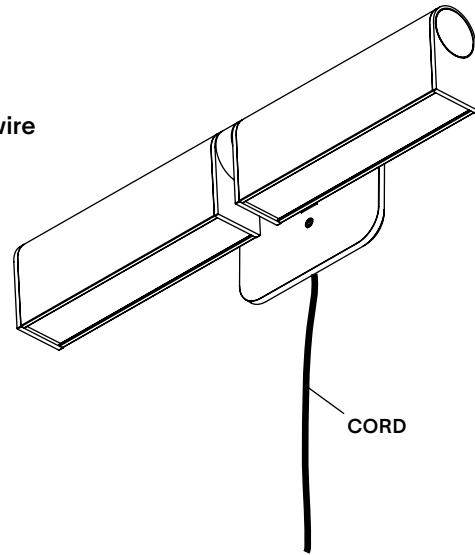
- Must be installed by an electrician (HW version only)
- LED may only be changed by Lambert & Fils or other authorized personnel
- Not protected against liquids (refer to IP20)
- Additional charges for modifications or for special orders
- Please refer to maintenance sheet on our website for cleaning instructions

## LAMP ANATOMY

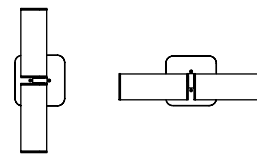
### Hardwire



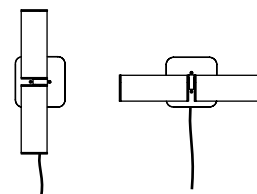
### Softwire



### Hardwire



### Softwire





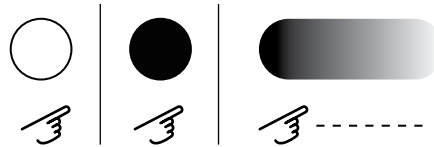
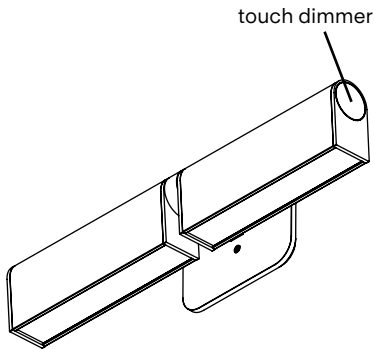
## TOUCH DIMMER

Do not install on a dimmer switch.  
Must be installed on an ON/OFF switch only.

		Example	Fill with your selection
COLLECTION	IPO Ipoli	IPO	IPO
MODEL	02	02	02
CONFIGURATION	TO Touch Dimmer	TO	TO
INSTALLATION	HW Hardwire SW Softwire	HW	
VERSION	AD ADA compliant (HW only) SD Standard	AD	
FINISH	BG Textured beige BK Textured black PP Textured poppy TA Tumbled aluminum CC Custom colour*	BG	
CORD (SW ONLY)	BK Black	BK	BK
COLOUR TEMPERATURE (CCT)	F22 Fixed 2200K F27 Fixed 2700K	F22	
FULL SKU		IPO02TOHWADBGF22	

### NOTES

\*Custom colour available upon request. Material library on website.



## REMOTE DRIVER

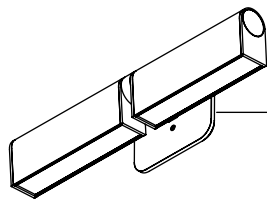
Touch dimmer not available. Driver provided. Driver housing not included for UL.

		Example	Fill with your selection
COLLECTION	IPO Ipoli	IPO	IPO
MODEL	02	02	02
CONFIGURATION	RM Remote Driver	RM	RM
INSTALLATION	HW Hardwire	HW	HW
VERSION	AD ADA compliant SD Standard	AD	
FINISH	BG Textured beige BK Textured black PP Textured poppy TA Tumbled aluminum CC Custom colour*	BG	
COLOUR TEMPERATURE (CCT)	F22 Fixed 2200K F27 Fixed 2700K F30 Fixed 3000K D27 Dim to warm 2700K-2200K D30 Dim to warm 3000K-2200K CCT Other CCT available upon request**	F22	
DIMMING	ZT 0-10V (120VAC only) PH Phase dimming DA DALI (220-240VAC only)	ZT	
FULL SKU		IPO02RMHWADBGF22ZT	

### NOTES

\*Custom colour available upon request. Material library on website.

\*\*Specific CCT selection only available in 100k increments, from 2200K to 4000K inclusively and not available with Dim-to-Warm feature.



#### REMOTE DRIVER

Must be accessible for maintenance.  
For driver specification refer to installation manual.

We recommend using 14 AWG wire to cover the distance between remote driver and luminaire.

There are no issues with voltage drop at distances of less than 200 ft. / 60m.