

# Ipoli 10








**SOFTWARE**



**HARDWARE**

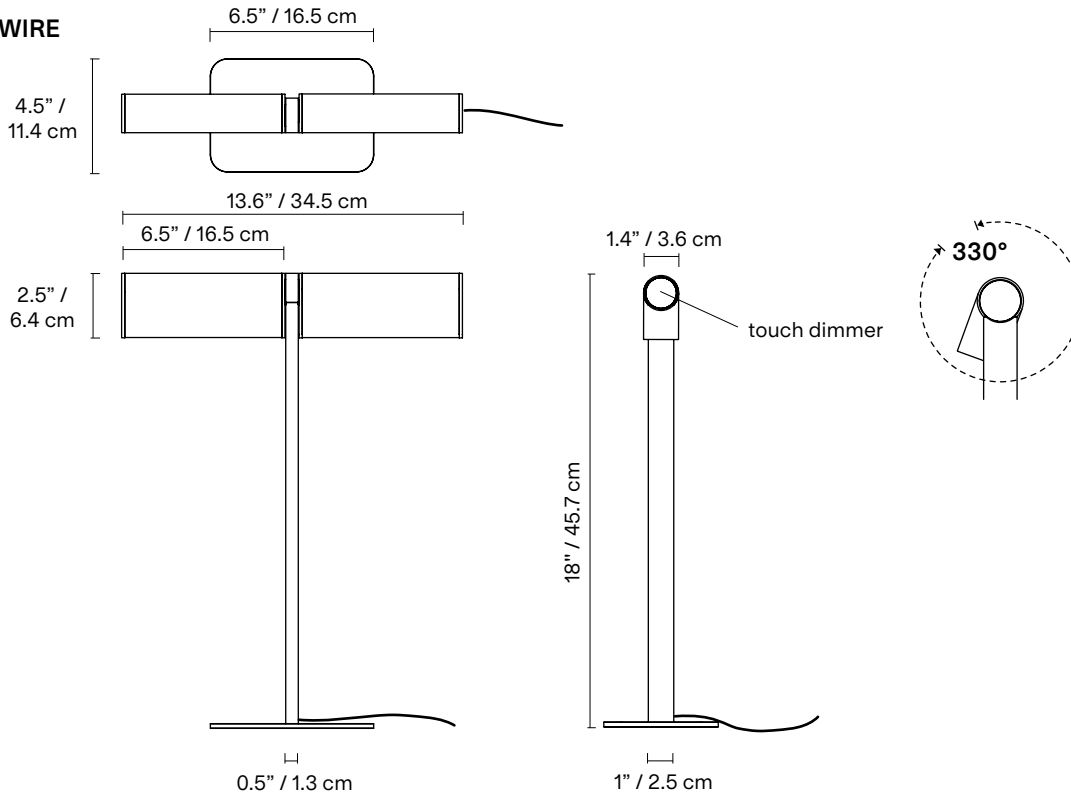
Ipoli is a decorative multifunctional collection centered on the movement of playful swiveling heads atop a slender base. The collection draws inspiration from the design tradition of utilitarian, streamlined task lamps and office lighting, while enfolding Lambert & Fils' unique twist, both poetic and sturdy. Whether employed as a task light, ambient accent, or focal point, each piece will delight any space.

<b>TYPE</b>	Table
<b>CONSTRUCTION</b>	Tumbled or powder coated aluminum body, head and cover plate Frosted opal acrylic lens Vinyl cord
<b>SPECIFICATIONS</b>	Power consumption Touch dimmer: 8W Remote driver: max. 13W  Colour temperature: 3000K 2700K 2200K dim to warm 3000K to 2200K dim to warm 2700K to 2200K  Lumen output: TBD  Colour rendering index: ≥90 CRI Colour consistency: 3 SDCM Expected lifetime: ≥50 000h
<b>CONTROL</b>	<b>Touch Dimmer:</b> 100-240V touch dimmer only <b>Remote Driver</b> 120/277V on/off, 0-10V, or phase dimming (120V only) 220-240V: On/Off, Phase Dimming, DALI
<b>CORD LENGTH</b>	70" / 178 cm
<b>WEIGHT</b>	HW: 2.7lb / 1.2kg SW: 3.1lb / 1.4kg
<b>CERTIFICATIONS</b>	     IP20
<b>WARRANTY</b>	2 years

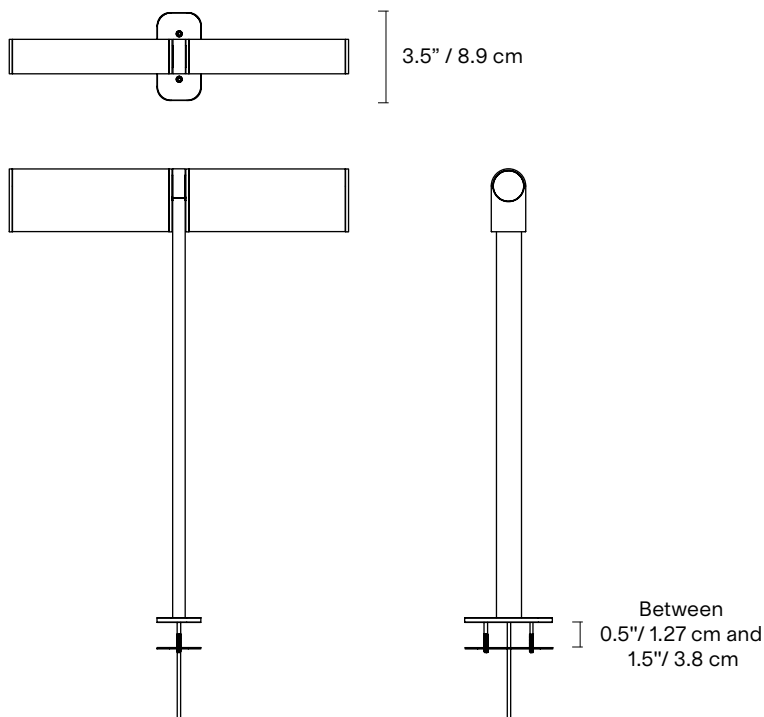
## NOTES

- Dimensions are approximate and may vary slightly
- For fixed installation, the surface thickness should be between 0.5"/ 1.27 cm and 1.5"/ 3.8 cm.
- Remote Driver: Touch dimmer not available. Driver provided. Driver housing not included for UL.

## SOFTWARE



## HARDWARE



## FINISH



**BG**  
Textured  
beige



**BK**  
Textured  
black



**PP**  
Textured  
poppy



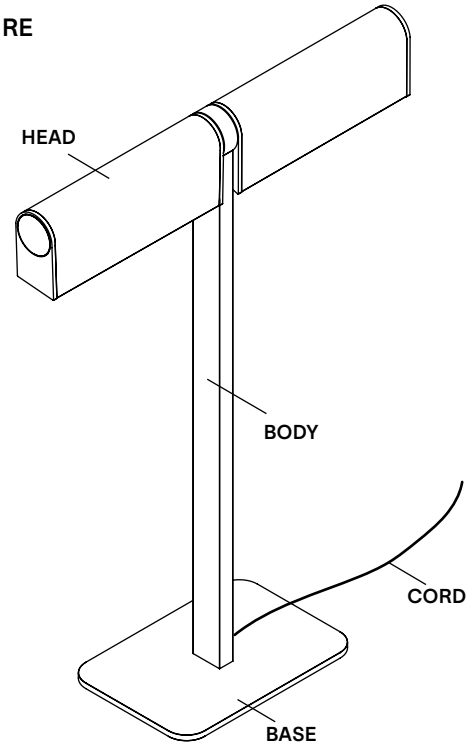
**TA**  
Tumbled  
aluminum

## NOTES

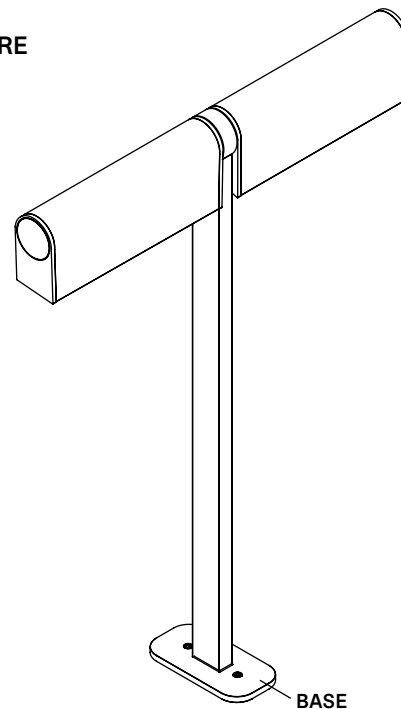
- Must be installed by an electrician (remote driver only)
- LED may only be changed by Lambert & Fils or other authorized personnel
- Not protected against liquids (refer to IP20)
- Additional charges for modifications or for special orders
- Please refer to maintenance sheet on our website for cleaning instructions

## LAMP ANATOMY

### SOFTWARE



### HARDWARE



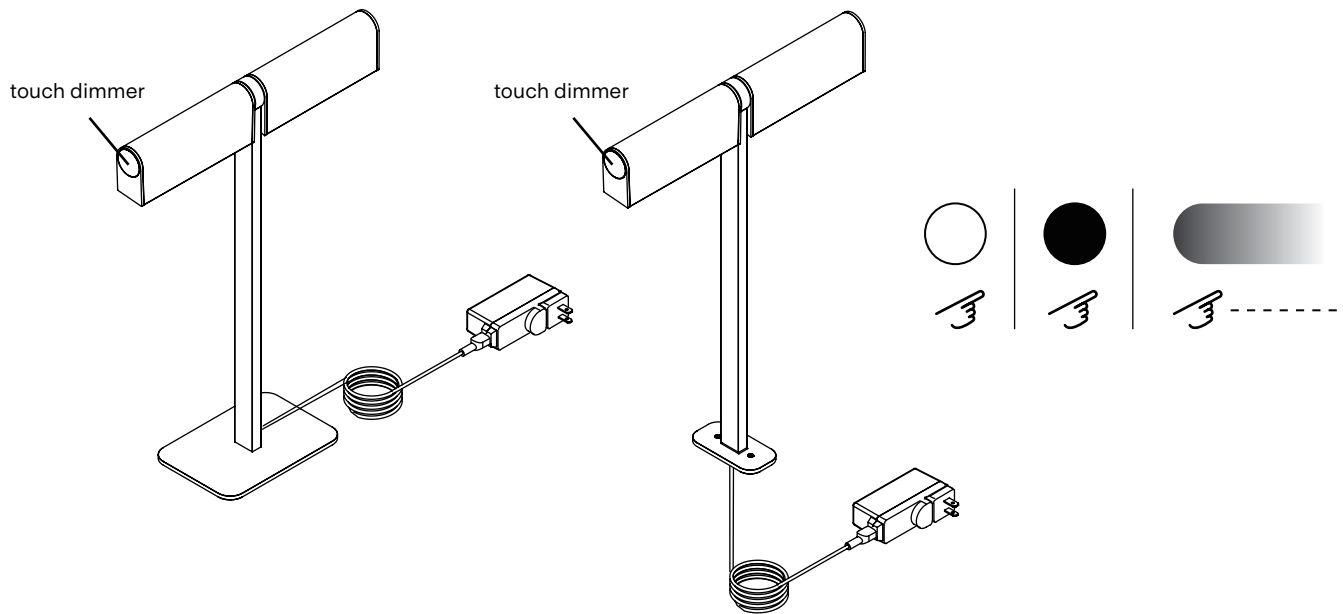
## TOUCH DIMMER

Do not install on a dimmer switch.  
Must be installed on an ON/OFF switch only.

		Example	Fill with your selection
COLLECTION	IPO Ipoli	IPO	IPO
MODEL	10	10	10
CONFIGURATION	TO Touch dimmer	TO	TO
INSTALLATION	HW Hardwire (fixed) SW Softwire (portable)	HW	
FINISH	BG Textured beige BK Textured black PP Textured poppy TA Tumbled aluminum CC Custom colour*	BG	
CORD (SW ONLY)	BK Black	BK	BK
COLOUR TEMPERATURE (CCT)	F22 Fixed 2200K F27 Fixed 2700K	F22	
FULL SKU		IPO10TOHWBGF22	

### NOTES

\*Custom colour available upon request. Material library on website.



## REMOTE DRIVER

Touch dimmer not available. Driver provided. Driver housing not included for UL.

		Example	Fill with your selection
COLLECTION	IPO Ipoli	IPO	IPO
MODEL	10	10	10
CONFIGURATION	RM Remote Driver	RM	RM
INSTALLATION	HW Hardwire	HW	HW
FINISH	BG Textured beige BK Textured black PP Textured poppy TA Tumbled aluminum CC Custom colour*	BG	
COLOUR TEMPERATURE (CCT)	F22 Fixed 2200K F27 Fixed 2700K F30 Fixed 3000K D27 Dim to warm 2700K-2200K D30 Dim to warm 3000K-2200K CCT Other CCT available upon request**	F22	
DIMMING	ZT 0-10V (120VAC only) PH Phase dimming DA DALI (220-240VAC only)	ZT	
FULL SKU		IPO10RMHWBGF22ZT	

### NOTES

\*Custom colour available upon request. Material library on website.

\*\*Specific CCT selection only available in 100k increments, from 2200K to 4000K inclusively and not available with Dim-to-Warm feature.

