
PANTHELLA 400 TABLE LAMP

Designed by Verner Panton



Technical specifications

Materials

Base: White, injection molded ABS. Shade: Injection molded white opal acrylic. Housing: White, injection molded ABS.

Finishes

White, opal acrylic.

Mounting

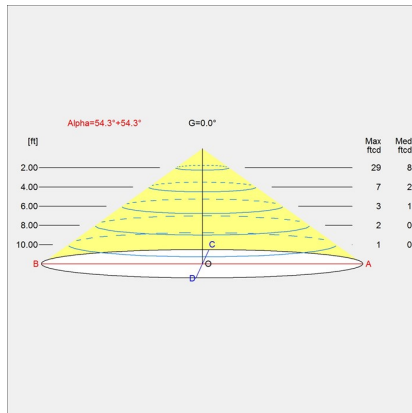
Cord type: White. Cord length: 13'. Switch: In-line on/off switch provided. For mounting instructions, see download section on the product detail page.

PANTHELLA 400 TABLE LAMP

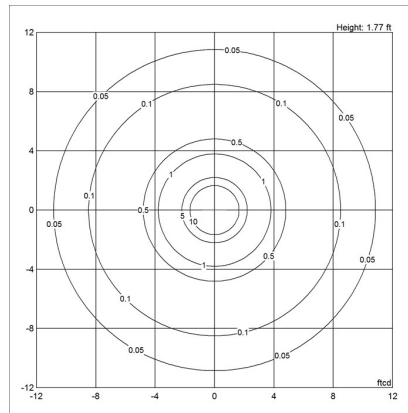
Designed by Verner Panton

Light distribution diagrams

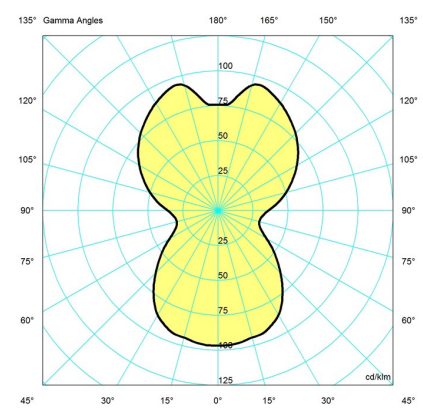
CARTESIAN



ISOLUX



POLAR



Variant Options

For particular variant options, please check our online Product Variants Configurator on the product detail page.

VARIANT NO.	LIGHT SOURCE	VOLTAGE/FRQ	LUMEN	FEATURES	CABLE
5744916510		120V	877	-	-

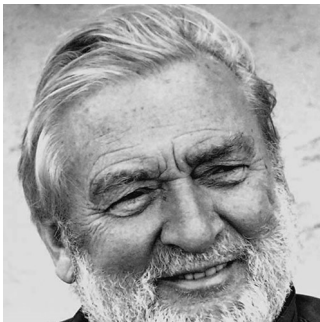
Variants

VARIANT NUMBER	COLOR, RAL	W / H / L (IN) / W (LB)
5744916510	WHT OPAL ACRYL, 970	15.7 / 21.7 / 15.7 IN / 5.8 LB

PANTHELLA 400 TABLE LAMP

120V / White opal acryl / - / - / - / 5744916510

The fixture emits a glare-free, soft and comfortable illumination. The opal acrylic shade leaves a diffused comfortable light atmosphere due to the translucent shade, the downward reflection from the inner shade and the reflection from the trumpet stem.



Verner Panton

Verner Panton (1926-1998) is famous for his inspirational and colorful personality. A unique person with a special sense for color, shape, light function and space. Over the course of his career, Panton introduced a series of modern lamps with personalities unlike any of his Scandinavian contemporaries.



Product info

Environmental Product Specification

This product is compliant with the requirements contained in the European Directives, RoHS Directive 2011/65 and 2015/863. This product is designed so that 100% of the product can be disassembled and reused.

Mounting

Cord type: White. Cord length: 13'. Switch: In-line on/off switch provided.

Finish

White, opal acrylic.

Materials

Base: White, injection molded ABS. Shade: Injection molded white opal acrylic. Housing: White, injection molded ABS.

Sizes and weight

Width x Height x Length (in.) | 15.7 x 21.7 x 15.7 Max 5.8 lbs

Compliance

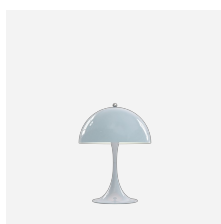
cULus, Dry location.



Related products



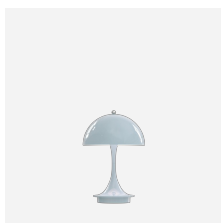
Panthella Floor



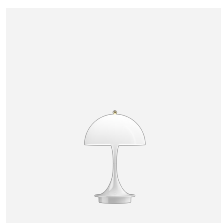
Panthella 250 Table Lamp



Panthella 320 Table Lamp



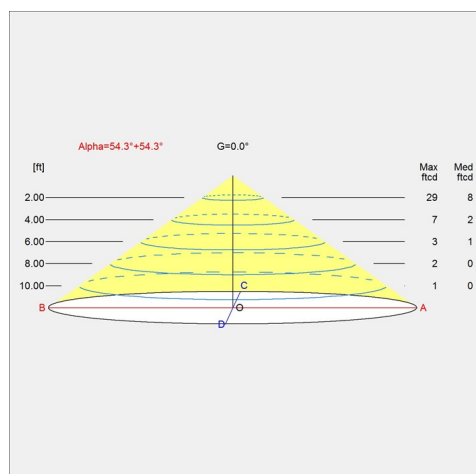
Panthella 160 Portable



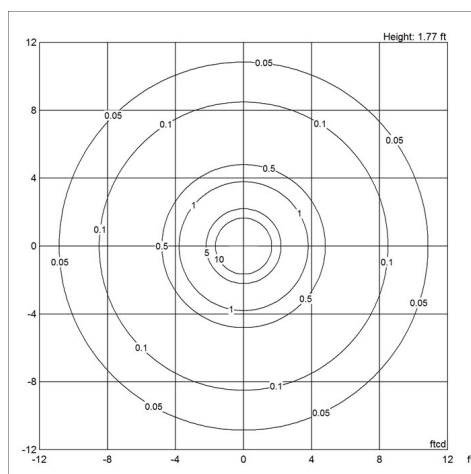
Panthella 160 Portable
Anniversary Edition

Light distribution diagrams

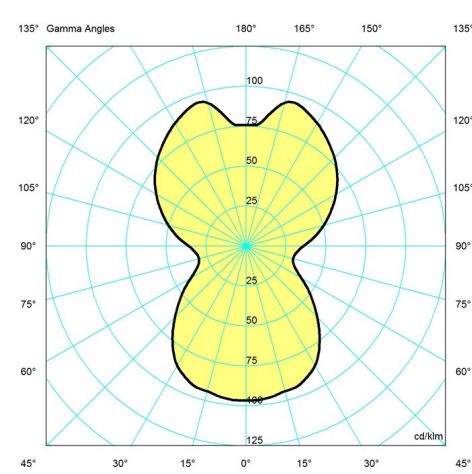
Cartesian



Isolux



Polar



Spare parts & accessories

Product

Panthella Floor/400 chrome nut
 Panthella 400 shade holder clear
 Panthella 400 diffuser
 Panthella 400 bayonet base
 Panthella 400 Opal shade

Variant number

5744610049
 5744610544
 5744167479
 5744167482
 5744167505

Data specifications

Colour	White opal acryl	Length	15.7
Width	15.7	Height	21.7
Built-in Height	-	IP class	20
Class	-	Net Weight	5.8

Panthella 400 Table Lamp

Standby (W)	-
Inrush Current	-
Kelvin	-
SDCM	-
Watt	15
Light control	-
UGR Transversal / Axial	14.7/10.1
Driver life	-

Power Factor (P = 100 % / P = 50 %)	-
Light source	-
CRI	-
Lumen	877
Efficacy	58
Min. Dim Level (%)	-
L80B50 (hours)	-
