
PH 2/1 PORTABLE

Designed by Poul Henningsen



Technical specifications

Materials

Shades: Mouth-blown white opal glass.
Top plate, base and stem: Brass metallised or High lustre chrome plated brass.

Finishes

White opal glass with frame in metallised brass. White opal glass with frame in high lustre chrome plated.

Mounting

Cord length: 1.5 m.
Power: USB-C-C cord for standard 15W/3A USB-C adaptor or inductive charging.
White light indicator on base when charging.
Light control: Switch on base.
Batteries: Lipo, rechargeable, replaceable.
Battery lifetime: 5 hours @ 100%.
Both D2W (1800-3000K) Stepless-dim and 4 step-dim (5%, 20%, 45%, 100%) customer user setting (can switch between the functions). For mounting instructions, see download section on the product detail page.

Information

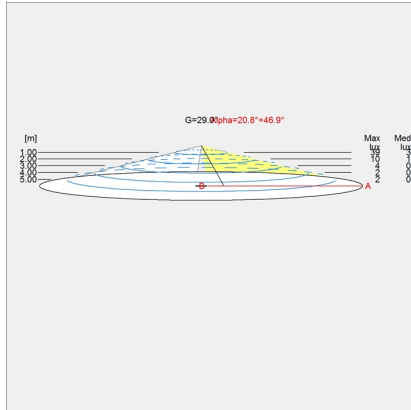
Please note that the PH 2/1 Portable comes with a USB-cord but without an adaptor. Please use a 15W/3A USB adaptor. For the E-socket product variants, bulbs are not included. LED light source is part of the product.

PH 2/1 PORTABLE

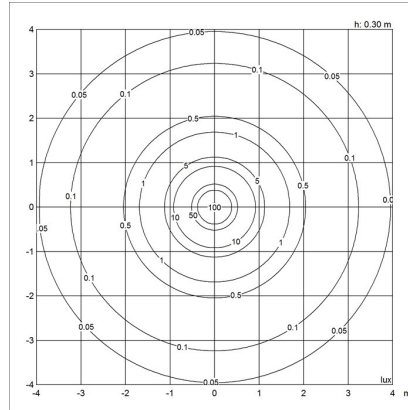
Designed by Poul Henningsen

Light distribution diagrams

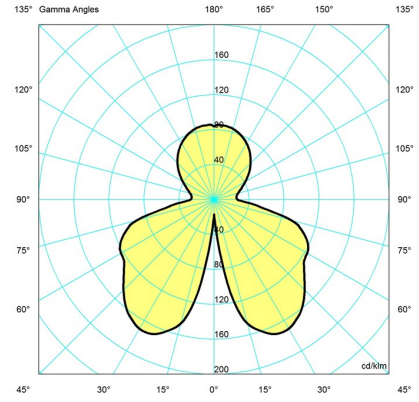
CARTESIAN



ISOLUX



POLAR



Variant Options

For particular variant options, please check our online Product Variants Configurator on the product detail page.

VARIANT NO.	LIGHT SOURCE	VOLTAGE/FRQ	LUMEN	FEATURES	CABLE
5744170424	LED 2700K 3.5W		289	-	Without cord
5744170437	LED 2700K 3.5W		289	-	Without cord

Variants

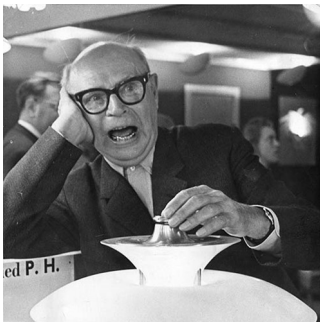
VARIANT NUMBER	COLOR, RAL	W / H / L (IN) / W (LB)
5744170424	BRASS METALLISED	200 / 360 / 200 IN / 0.8 LB
5744170437	HIGH LUSTRE CHROME PLATED	200 / 360 / 200 IN / 0.8 LB

PH 2/1 PORTABLE

LED 2700K 3.5W / Brass metallised / OPAL GLASS / Without cord / - / - / 5744170424

This portable table lamp emits a glare-free, soft and comfortable light, that has a dim-to-warm function, giving the perfect illumination for many different activities. The

PH 2/1 Portable is designed on the principle of a reflective three-shade system, which creates harmonious and glare-free lighting.



Poul Henningsen

Poul Henningsen was born in Copenhagen by the famous Danish writer Agnes Henningsen. He never graduated as an architect, but studied at The Technical School at Frederiksberg, Denmark from 1911-14, and then at Technical College in Copenhagen from 1914-17.



Product info

Information

Please note that the PH 2/1 Portable comes with a USB-cord but without an adaptor. Please use a 15W/3A USB adaptor.

Mounting

Cord length: 1.5 m. Power: USB-C-C cord for standard 15W/3A USB-C adaptor or inductive charging. White light indicator on base when charging. Light control: Switch on base. Batteries: Lipo, rechargeable, replaceable. Battery lifetime: 5 hours @ 100%. Both D2W (1800-3000K) Stepless-dim and 4 step-dim (5%, 20%, 45%, 100%) customer user setting (can switch between the functions).

Finish

White opal glass with frame in metallised brass. White opal glass with frame in high lustre chrome plated.

Materials

Shades: Mouth-blown white opal glass. Top plate, base and stem: Brass metallised or High lustre chrome plated brass.

Sizes and weight

Width x Height x Length (in.) | 200 x 360 x 200 Max 0.8 lbs

Compliance

Ingress protection IP44, Electric shock protection III

Light source

LED 2700K 3.5W

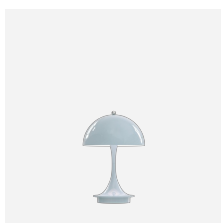
Lumen: 289

Information

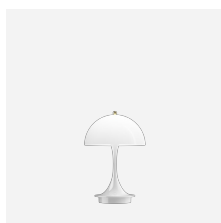
Please note that the PH 2/1 Portable comes with a USB-cord but without an adaptor. Please use a 15W/3A USB adaptor.



Related products



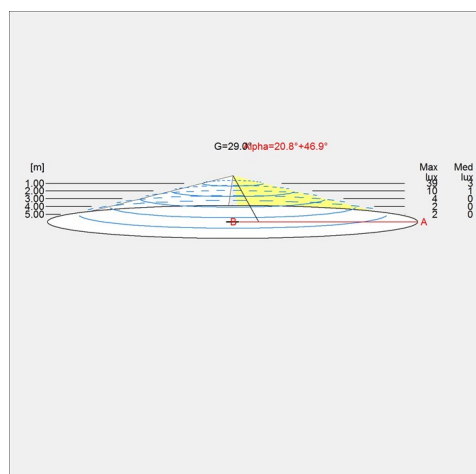
Panthella 160 Portable



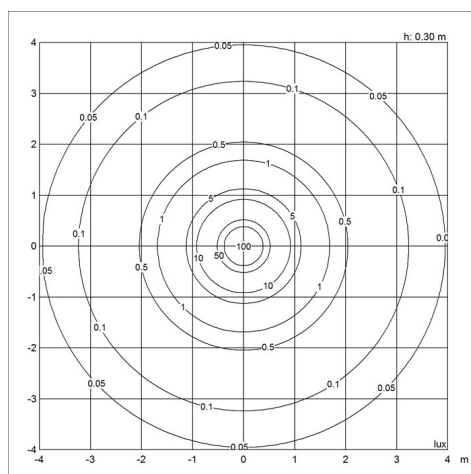
Panthella 160 Portable
Anniversary Edition

Light distribution diagrams

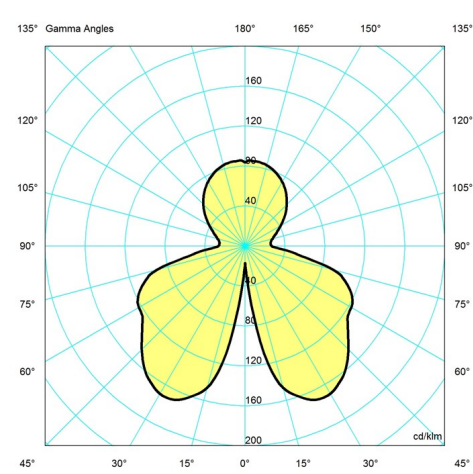
Cartesian



Isolux



Polar



Spare parts & accessories

Product	Variant number
PH 2/1 Opal glass middle shade	5741084940
PH 2/1 Opal glass lower shade	5741084953
PH 2/1 Opal glass top shade	5741084937
PH 2/1 Portable Rubber Pad	5744170479
PH 2/1 Portable Rep. Kit PCB PAD	5744170482
PH 2/1 Portable Rep. Kit LED	5744171096
PH 2/1 Portable topplate brass metallised	5744171106
PH 2/1 Portable topplate high lustre chrome plated	5744171119
PH 2/1 Portable top nut brass metallised	5744171122
PH 2/1 Portable top nut high lustre chrome plated	5744171135
PH 2/1 Portable Brass Metallised shadeholder	5744171148
PH 2/1 Portable Chrome Plated shadeholder	5744171151
PH 2/1 Table diffuser glass	5744164317

Data specifications

PH 2/1 Portable

Colour	Brass metallised
Width	200
Built-in Height	-
Class	-
Standby (W)	-
Inrush Current	-
Kelvin	2700
SDCM	3
Watt	3.5
Light control	-
UGR Transversal / Axial	16.9/16.9
Driver life	-

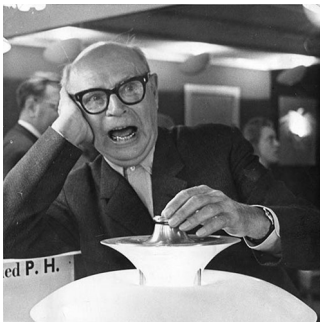
Length	200
Height	360
IP class	44
Net Weight	0.8
Power Factor (P = 100 % / P = 50 %)	-
Light source	LED 2700K 3.5W
CRI	-
Lumen	289
Efficacy	83
Min. Dim Level (%)	-
L80B50 (hours)	>50.000

PH 2/1 PORTABLE

LED 2700K 3.5W / High lustre chrome plated / OPAL GLASS / Without cord / - / - / 5744170437

This portable table lamp emits a glare-free, soft and comfortable light, that has a dim-to-warm function, giving the perfect illumination for many different activities. The

PH 2/1 Portable is designed on the principle of a reflective three-shade system, which creates harmonious and glare-free lighting.



Poul Henningsen

Poul Henningsen was born in Copenhagen by the famous Danish writer Agnes Henningsen. He never graduated as an architect, but studied at The Technical School at Frederiksberg, Denmark from 1911-14, and then at Technical College in Copenhagen from 1914-17.



Product info

Information

Please note that the PH 2/1 Portable comes with a USB-cord but without an adaptor. Please use a 15W/3A USB adaptor.

Mounting

Cord length: 1.5 m. Power: USB-C-C cord for standard 15W/3A USB-C adaptor or inductive charging. White light indicator on base when charging. Light control: Switch on base. Batteries: Lipo, rechargeable, replaceable. Battery lifetime: 5 hours @ 100%. Both D2W (1800-3000K) Stepless-dim and 4 step-dim (5%, 20%, 45%, 100%) customer user setting (can switch between the functions).

Finish

White opal glass with frame in metallised brass. White opal glass with frame in high lustre chrome plated.

Materials

Shades: Mouth-blown white opal glass. Top plate, base and stem: Brass metallised or High lustre chrome plated brass.

Sizes and weight

Width x Height x Length (in.) | 200 x 360 x 200 Max 0.8 lbs

Compliance

Ingress protection IP44, Electric shock protection III

Light source

LED 2700K 3.5W

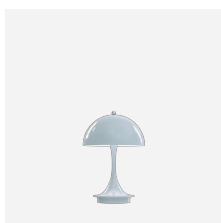
Lumen: 289

Information

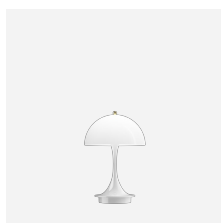
Please note that the PH 2/1 Portable comes with a USB-cord but without an adaptor. Please use a 15W/3A USB adaptor.



Related products



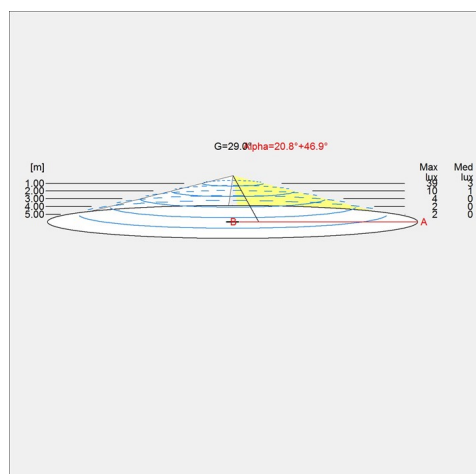
Panthella 160 Portable



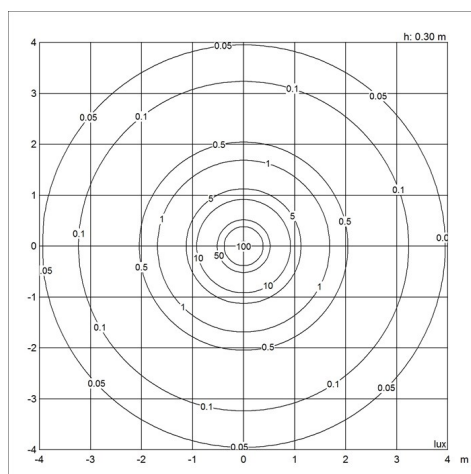
Panthella 160 Portable
Anniversary Edition

Light distribution diagrams

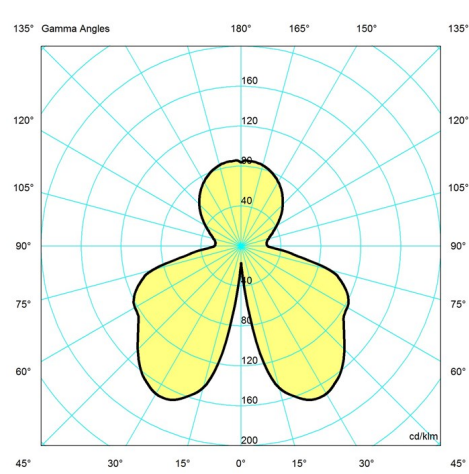
Cartesian



Isolux



Polar



Spare parts & accessories

Product	Variant number
PH 2/1 Opal glass middle shade	5741084940
PH 2/1 Opal glass lower shade	5741084953
PH 2/1 Opal glass top shade	5741084937
PH 2/1 Portable Rubber Pad	5744170479
PH 2/1 Portable Rep. Kit PCB PAD	5744170482
PH 2/1 Portable Rep. Kit LED	5744171096
PH 2/1 Portable topplate brass metallised	5744171106
PH 2/1 Portable topplate high lustre chrome plated	5744171119
PH 2/1 Portable top nut brass metallised	5744171122
PH 2/1 Portable top nut high lustre chrome plated	5744171135
PH 2/1 Portable Brass Metallised shadeholder	5744171148
PH 2/1 Portable Chrome Plated shadeholder	5744171151
PH 2/1 Table diffuser glass	5744164317

Data specifications

PH 2/1 Portable

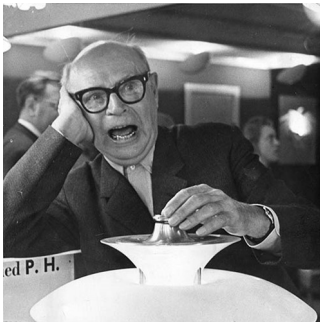
Colour	High lustre chrome plated
Width	200
Built-in Height	-
Class	-
Standby (W)	-
Inrush Current	-
Kelvin	2700
SDCM	3
Watt	3.5
Light control	-
UGR Transversal / Axial	16.9/16.9
Driver life	-

Length	200
Height	360
IP class	44
Net Weight	0.8
Power Factor (P = 100 % / P = 50 %)	-
Light source	LED 2700K 3.5W
CRI	-
Lumen	289
Efficacy	83
Min. Dim Level (%)	-
L80B50 (hours)	>50.000

PH 2/1 PORTABLE

This portable table lamp emits a glare-free, soft and comfortable light, that has a dim-to-warm function, giving the perfect illumination for many different activities. The

PH 2/1 Portable is designed on the principle of a reflective three-shade system, which creates harmonious and glare-free lighting.



Poul Henningsen

Poul Henningsen was born in Copenhagen by the famous Danish writer Agnes Henningsen. He never graduated as an architect, but studied at The Technical School at Frederiksberg, Denmark from 1911-14, and then at Technical College in Copenhagen from 1914-17.



Product info

Information

Please note that the PH 2/1 Portable comes with a USB-cord but without an adaptor. Please use a 15W/3A USB adaptor.

Mounting

Cord length: 1.5 m. Power: USB-C-C cord for standard 15W/3A USB-C adaptor or inductive charging. White light indicator on base when charging. Light control: Switch on base. Batteries: Lipo, rechargeable, replaceable. Battery lifetime: 5 hours @ 100%. Both D2W (1800-3000K) Stepless-dim and 4 step-dim (5%, 20%, 45%, 100%) customer user setting (can switch between the functions).

Finish

White opal glass with frame in metallised brass. White opal glass with frame in high lustre chrome plated.

Materials

Shades: Mouth-blown white opal glass. Top plate, base and stem: Brass metallised or High lustre chrome plated brass.

Sizes and weight

Width x Height x Length (in.) | 200 x 360 x 200 Max 0.8 lbs

Compliance

Ingress protection IP44, Electric shock protection III

Light source

LED 2700K 3.5W

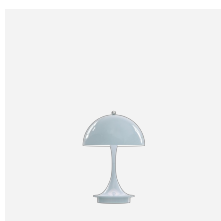
Lumen: 289

Information

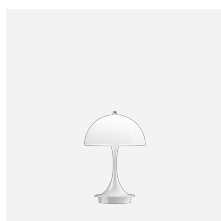
Please note that the PH 2/1 Portable comes with a USB-cord but without an adaptor. Please use a 15W/3A USB adaptor.



Related products



Panthella 160 Portable



Panthella 160 Portable
Anniversary Edition

Product variants

Color

- Brass metallised
- High lustre chrome plated

Light source

LED 2700K 3.5W

Design

Poul Henningsen

Weight

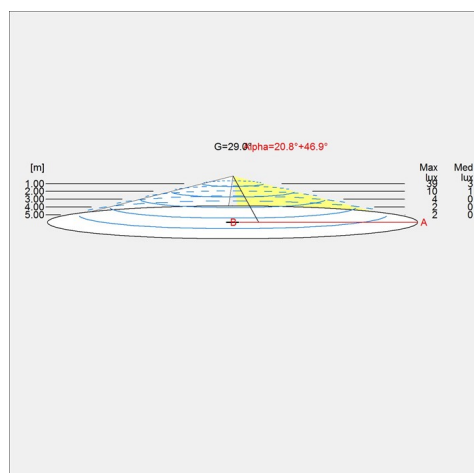
Min: 0.75 lbs Max: 0.75 lbs

Finish

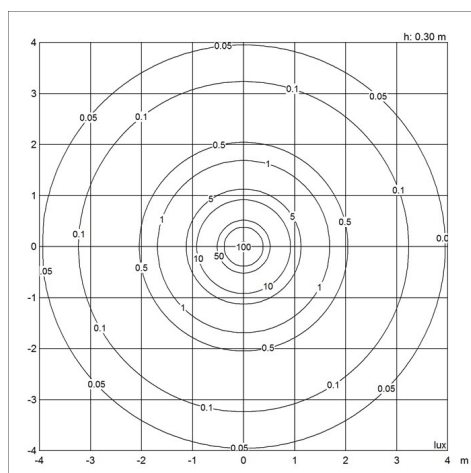
Brass metallised, High lustre chrome plated

Light distribution diagrams

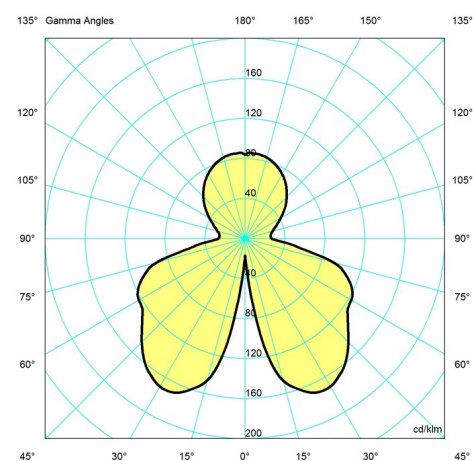
Cartesian



Isolux



Polar



Spare parts & accessories

PH 2/1 Portable

Product	Variant number
PH 2/1 Opal glass middle shade	5741084940
PH 2/1 Opal glass lower shade	5741084953
PH 2/1 Opal glass top shade	5741084937
PH 2/1 Portable Rubber Pad	5744170479
PH 2/1 Portable Rep. Kit PCB PAD	5744170482
PH 2/1 Portable Rep. Kit LED	5744171096
PH 2/1 Portable topplate brass metallised	5744171106
PH 2/1 Portable topplate high lustre chrome plated	5744171119
PH 2/1 Portable top nut brass metallised	5744171122
PH 2/1 Portable top nut high lustre chrome plated	5744171135
PH 2/1 Portable Brass Metallised shadeholder	5744171148
PH 2/1 Portable Chrome Plated shadeholder	5744171151
PH 2/1 Table diffuser glass	5744164317