

SAFETY INFORMATION

Please contact a licensed electrician for installation.

Suitable for dry, indoor use.
Do not use bulbs that exceed 60 watts.

Note that the fixture arrives folded and wrapped in protective packaging. Thumb screws for the pivot joints are included in the accompanying hardware. **Where possible, the fixture may be easier to install while in the folded and wrapped positioned, and unwrapped after installation, so the extended arms are not getting in the way of the installation process.**

CEILING INSTALLATION

NOTE: Your canopy may be a different shape, different dimensions, or have a different quantity of drops than the canopy shown below though the installation is the same.

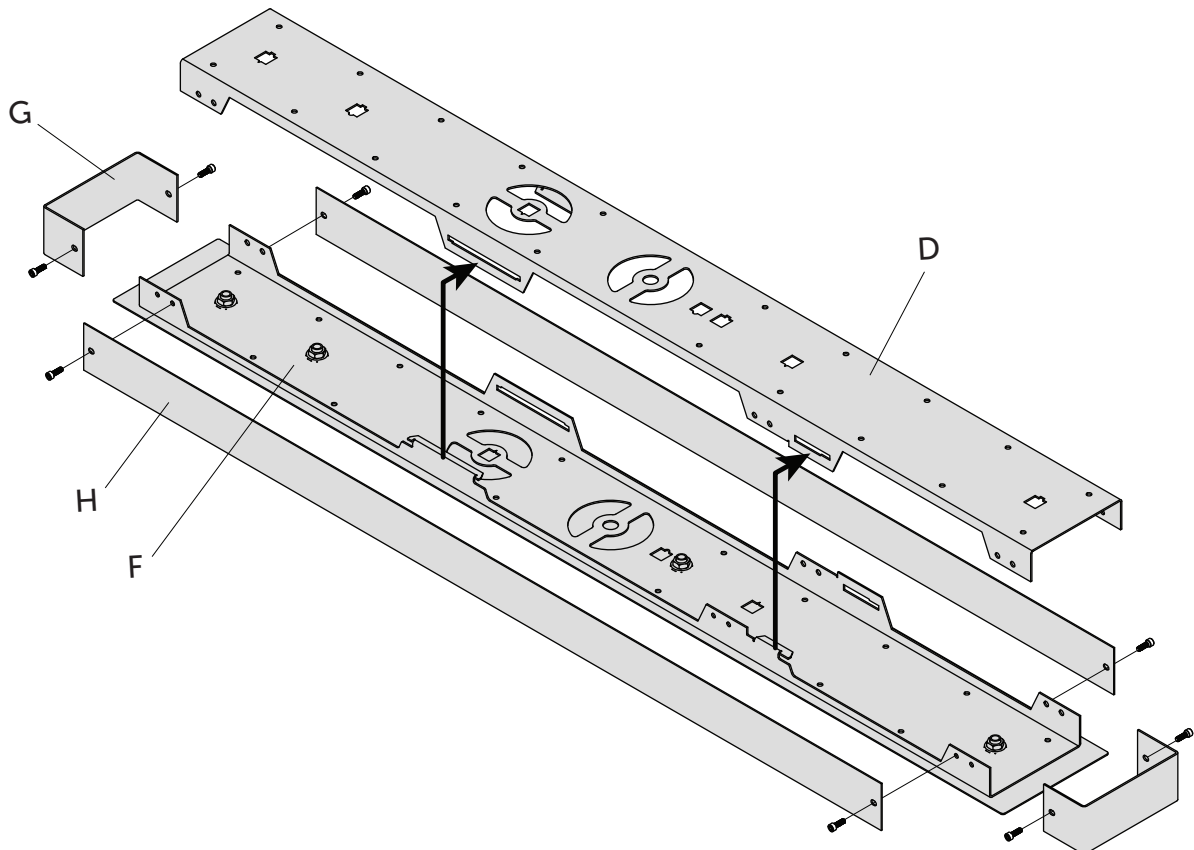
BEFORE INSTALLING: Note that the decorative side panels are slightly taller than the canopy's internal brackets. This is intentional to accommodate any junction-box attachments that may prevent the canopy from sitting flush to the ceiling. Before installing, we recommend checking this tolerance and adding washers or shims between the canopy backplate and the ceiling if needed.

1] Mount the Backplate (D) to the ceiling. The centering cut-away on this backplate is meant for centering only and not meant to hold the full weight of the fixture. *Mounting Screws are the only part not included. Mounting Screws and any applicable ceiling anchors must be sourced for the appropriate weight rating and ceiling material.*

2] Raise the canopy Faceplate (F), and register the folded tabs with the slots on the sides of the mounting bracket (D). The tabs are meant for registration only. On either long edge of the canopy are 4x threaded holes. Of these 4x holes install the inner set of screws on either edge to temporarily secure the canopy.

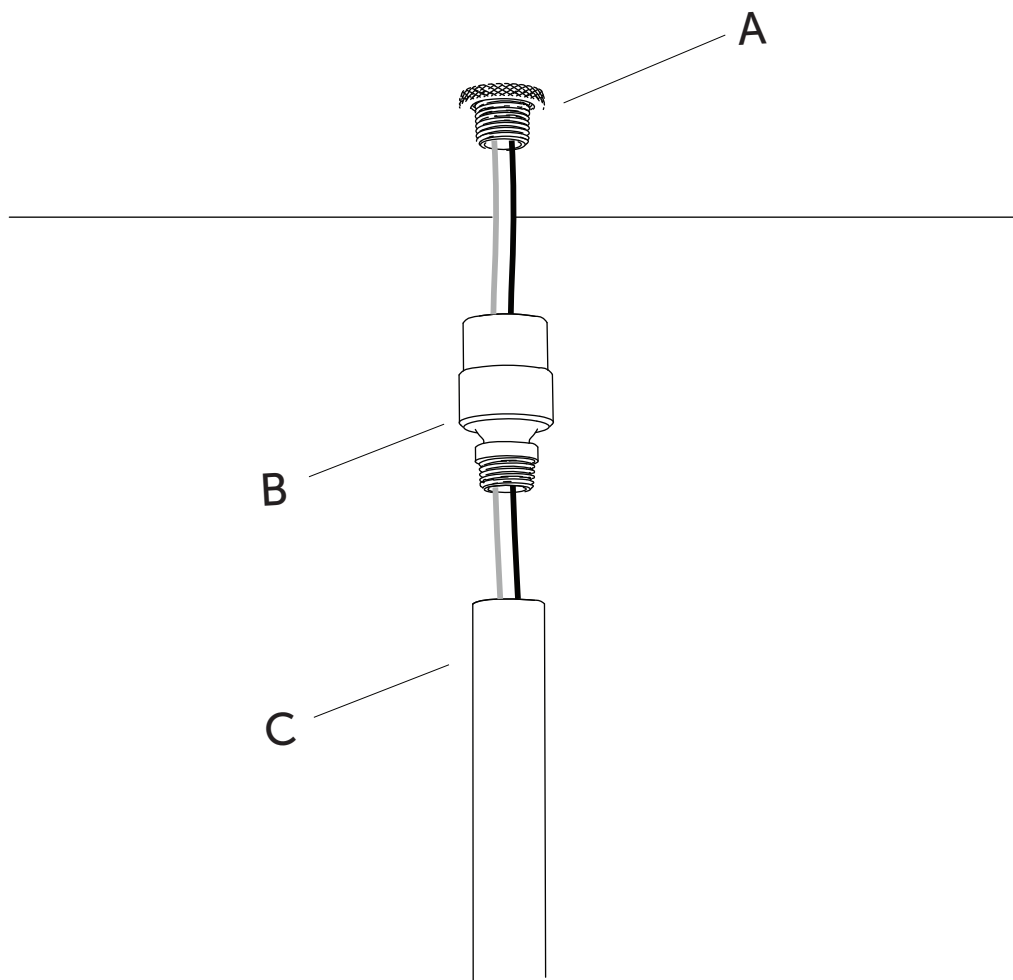
3] Attach the Fixture Drops to the canopy Faceplate (F). See following page for details. Then wire fixtures into the junction box.

4] Attach the C shaped decorative side panels (G) and secure each with 2x screws. Then remove the temporary screws from Step 3 and attach the flat decorative panels (H) and secure each with 2x screws.



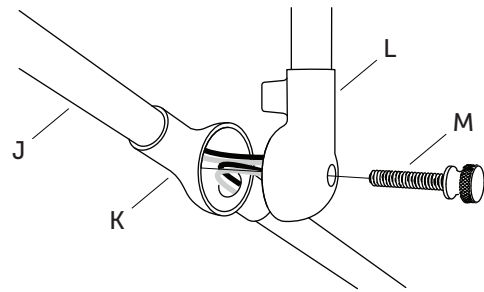
CEILING INSTALLATION

- 1] Run the Fixture wires through the Hang-Straight (B) and screw the Hang-Straight to the top of the Fixture Drop (C). *If your order includes additional drop rod lengths, run the Fixture wires through the additional lengths and screw together the multiple lengths before running the Fixtures wires through the Hang-Straight.*
- 2] Run the Fixture wires up through the Canopy Nipple (A) and screw the Hang-Straight (B) onto the Canopy Nipple (A).

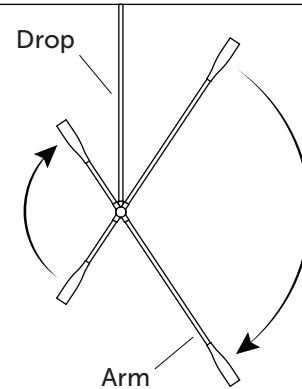


POSITIONING & ADJUSTMENTS

To secure the Arm (J) of the fixture, pass the Thumb Screw (M) through the hole in the Single Bulb (L) and into the threaded portion of the Double Bulb (K) until the Arm is secured.

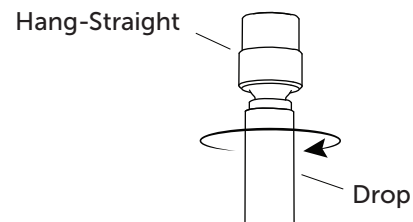


To adjust the Arm angle loosen the Thumb Screw while holding the Arm of the light. Adjust to the desired angle and secure in place by tightening the Thumb Screw.



The Hang-Straight hardware allows for the fixture to be rotated and adjusted to hang straight.

IMPORTANT: The Hang-Straight hardware is meant for positioning **ONLY** and is not suitable for continuous rotation. Over use or over rotation can cause a short in the wiring and electrical shock.



Screw in bulbs fully. If bulb is not fully screwed in, it may appear to sag or be crooked. Though do not over tighten.

If the bulbs looks crooked after screwing in fully, push gently near the base to correct.

