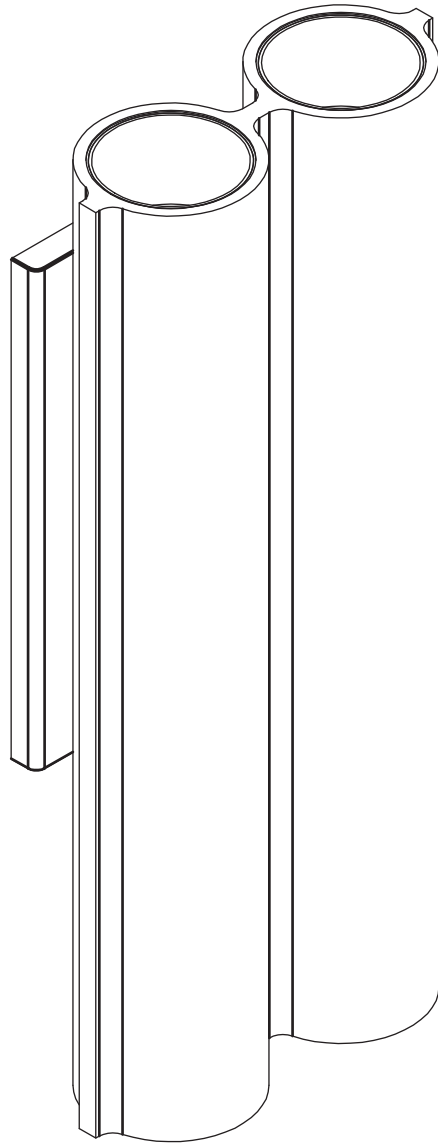


---

## SILO 2 WALL

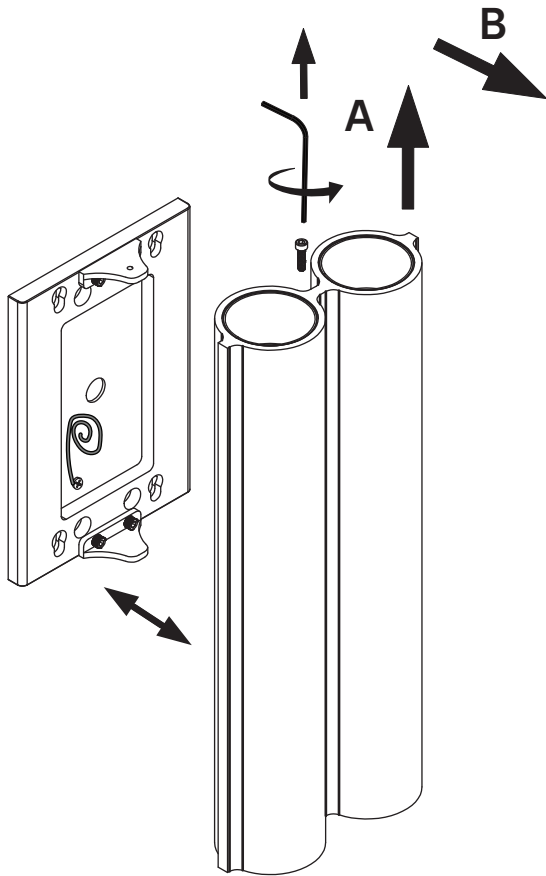
---



- Please read entire manual before installation
- Wear enclosed gloves when handling lamp
- Handle materials with care. Please consult lamp maintenance sheet on our web site
- Should be used exclusively as a lamp and not as a shelving, display or hanging unit

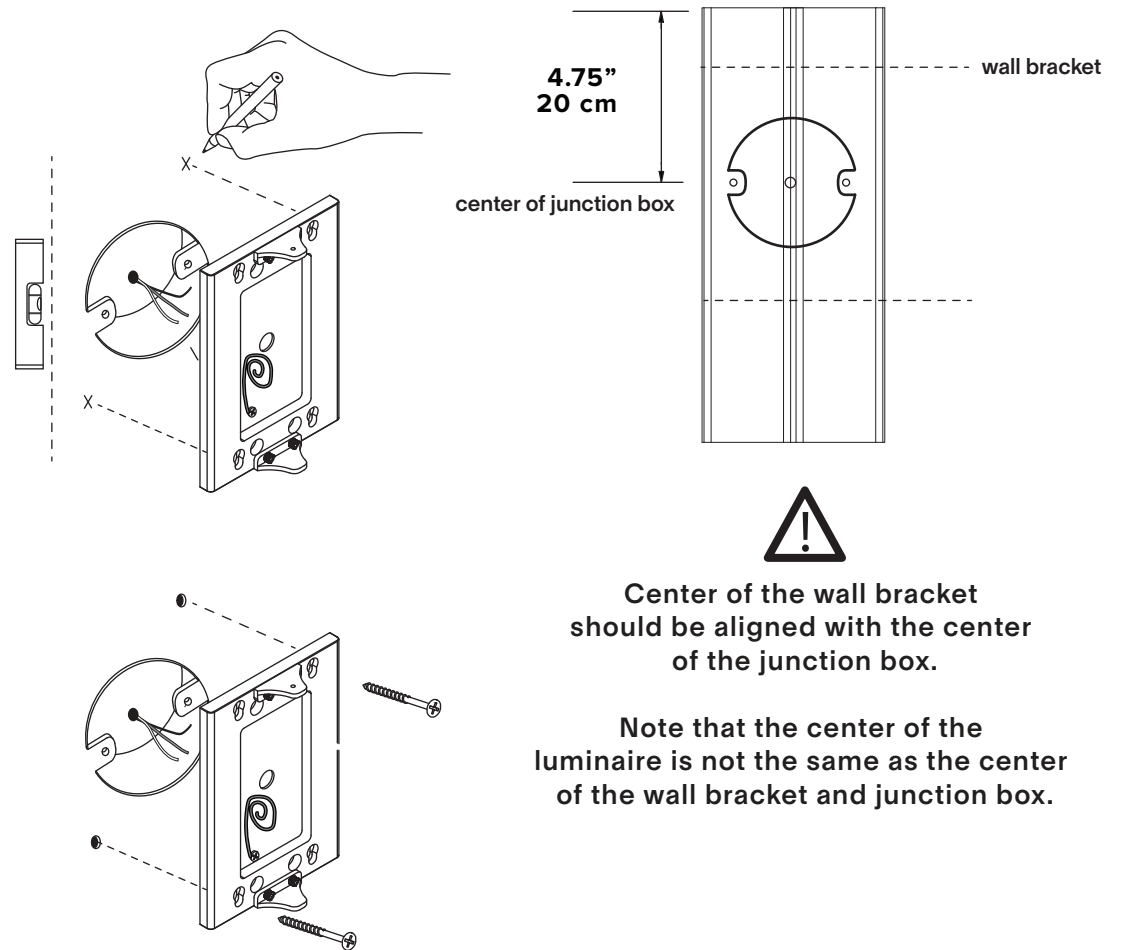
1

Using the provided allen key, unscrew the locking screw then lift and pull luminaire out of the keyholes.



2

Mark two diagonal anchor points, then mount bracket to wall. Make sure the installation is level.

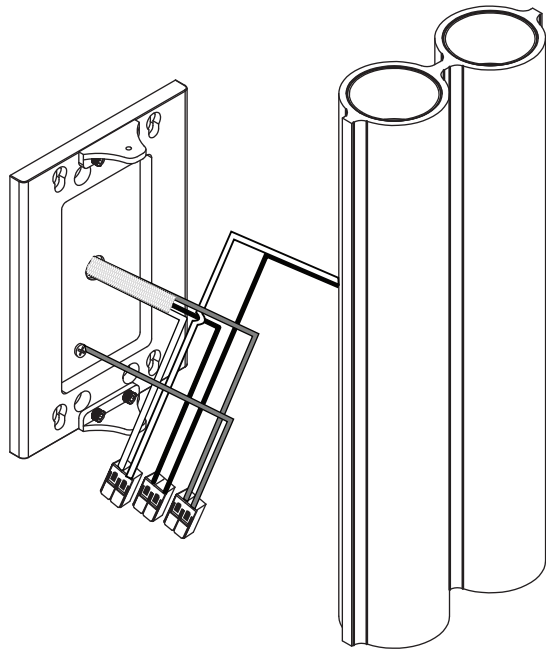


\* Use appropriate anchors

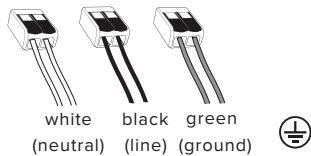
3

Make connections inside luminaire or inside electrical box (if applicable).

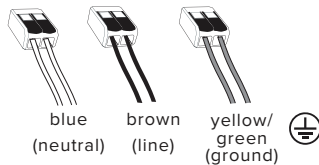
Use provided anti-abrasive heat sleeve.



for 120 V wiring



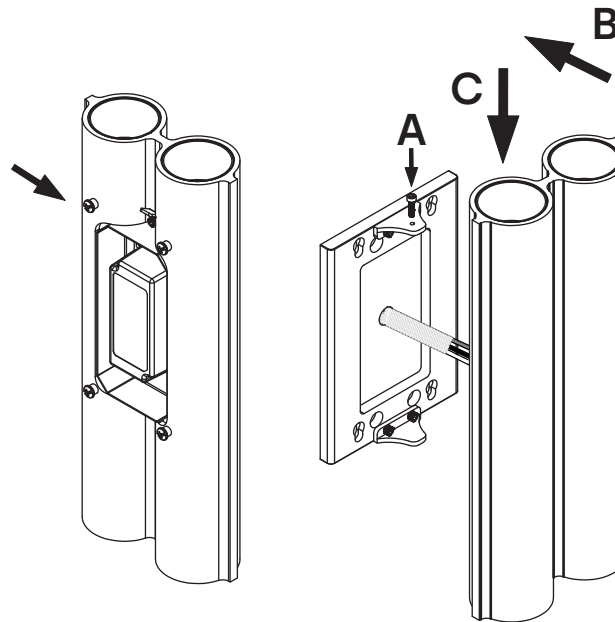
for 220-240 V wiring



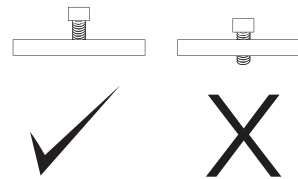
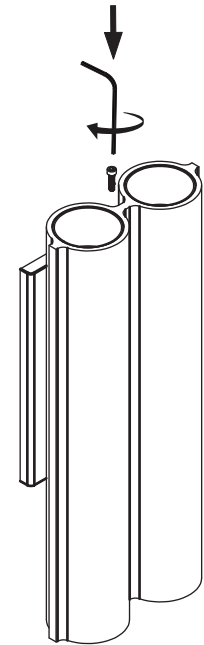
4

Prescrew the screw halfway onto the wall bracket (A).

Fix luminaire to wall bracket using keyholes (B,C).



5

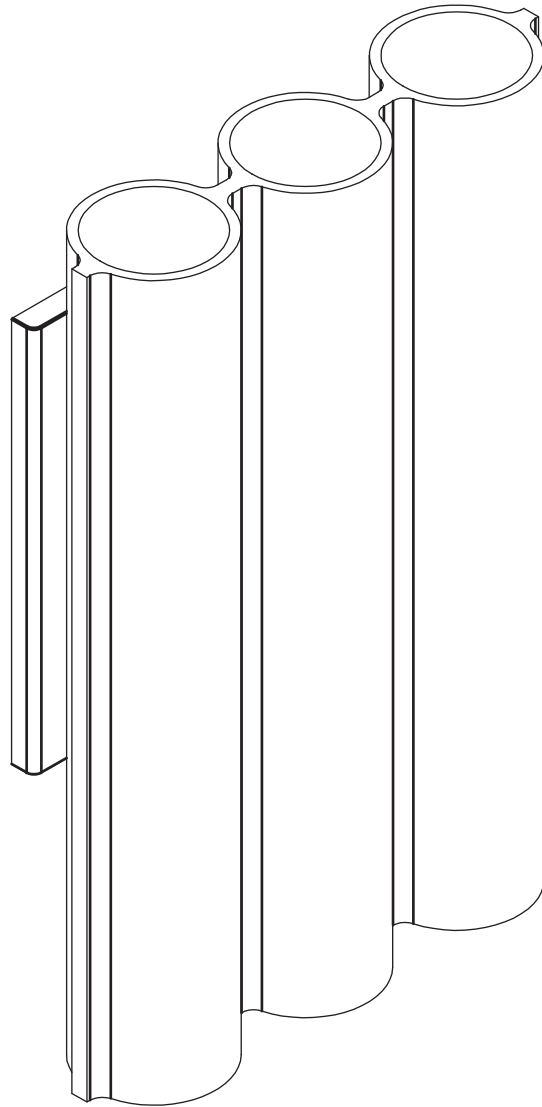


If applicable, use grey and purple wires for 0-10V dimming circuit, or the orange wires for DALI dimming circuit before closing the driver enclosure.

---

## SILO 3 WALL

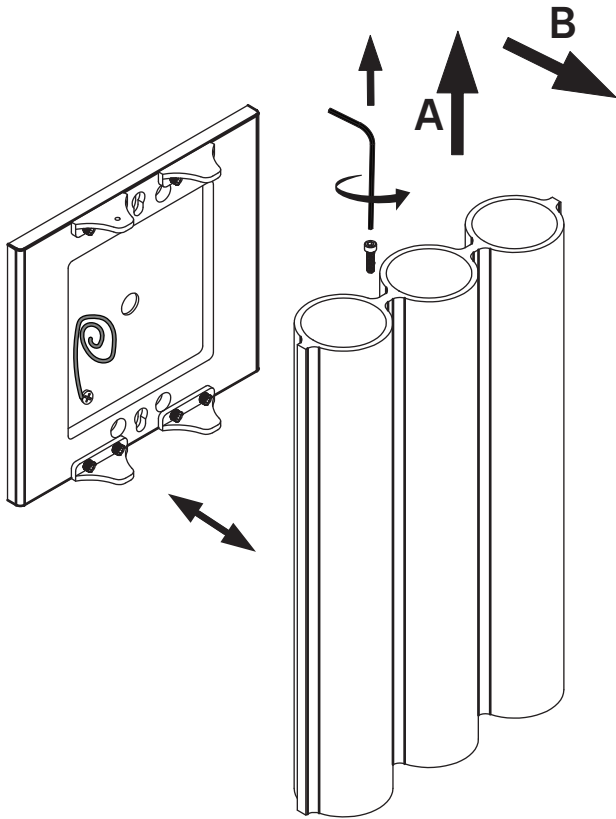
---



- Please read entire manual before installation
- Wear enclosed gloves when handling lamp
- Handle materials with care. Please consult lamp maintenance sheet on our web site
- Should be used exclusively as a lamp and not as a shelving, display or hanging unit

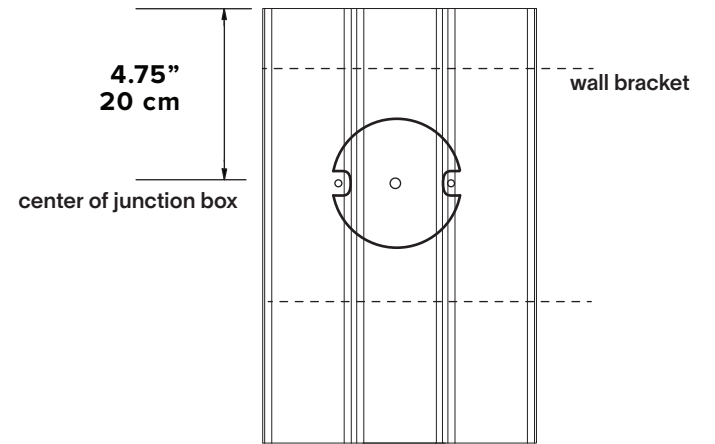
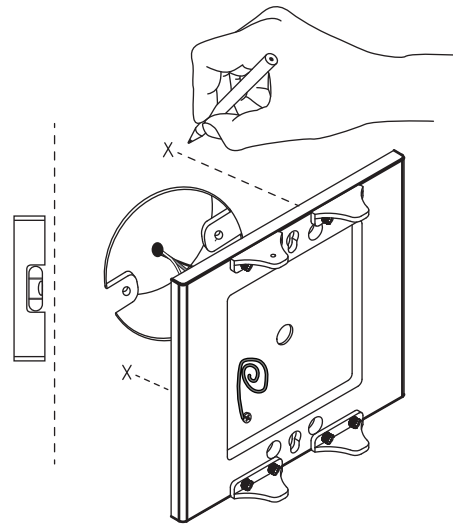
1

Using the provided allen key, unscrew the locking screw then lift and pull luminaire out of the keyholes.



2

Mark two diagonal anchor points, then mount bracket to wall. Make sure the installation is level.



Center of the wall bracket should be aligned with the center of the junction box.

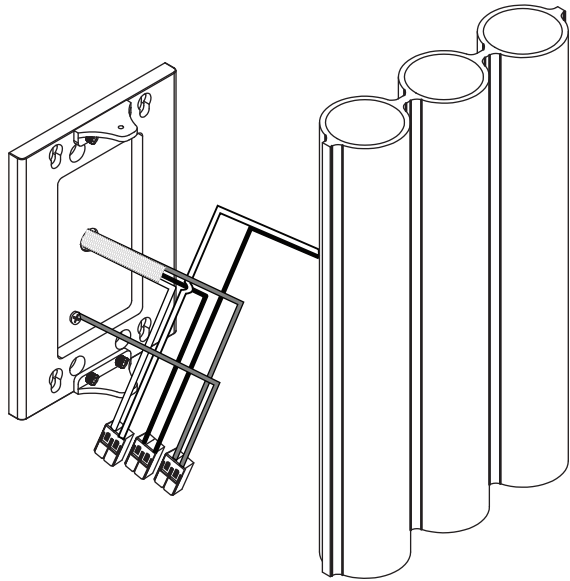
Note that the center of the luminaire is not the same as the center of the wall bracket and junction box.

\* Use appropriate anchors

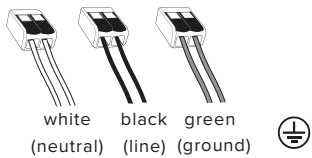
3

Make connections inside luminaire or inside electrical box (if applicable).

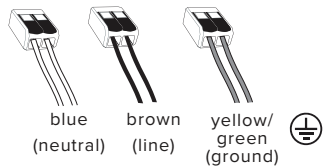
Use provided anti-abrasive heat sleeve.



for 120 V wiring



for 220-240 V wiring

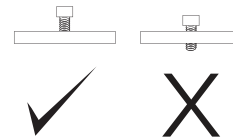
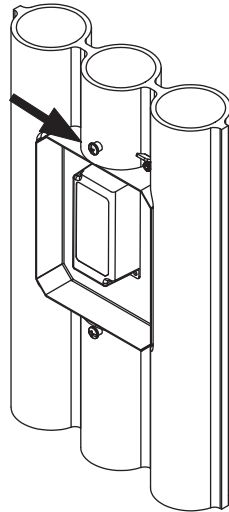


If applicable, use grey and purple wires for 0-10V dimming circuit, or the orange wires for DALI dimming circuit before closing the driver enclosure.

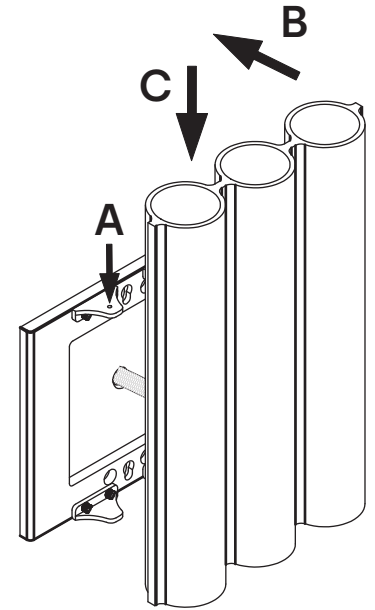
4

Prescrew the screw halfway onto the wall bracket (A).

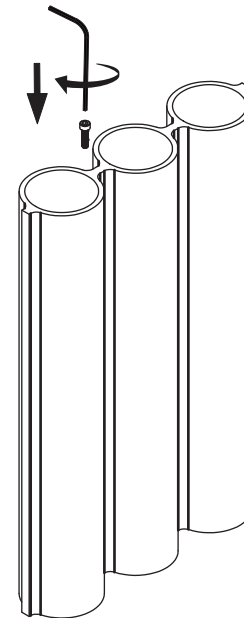
Fix luminaire to wall bracket using keyholes (B,C).



5

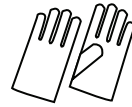


5



# Maintenance

When handling your light fixture, please use enclosed cotton gloves to avoid blemishes



## Unfinished Brass

If your lamp contains brass components, its look will evolve over time. We work with unfinished brass because we believe brass looks best when it is allowed to build a patina with age.

If you want to restore the lamp's original polished finish, please follow the following instructions for metal polish (e.g. Collinite No.850 Metal Wax):



1. Shake product well before application.
2. Using a thin applicator pad, apply a thin amount of metal polish to small sections at a time.
3. Rub well locally to loosen the tarnish.
4. Reapply as necessary until surface is free of contaminants.
5. Before product dries, polish with a dry, clean, and soft microfiber cloth towel.

## WARNING

The above instructions apply to brass components only.

## Painted Surface or Graphite Finish

If your light fixture contains painted surfaces or a graphite finish, it can be cleaned using any all purpose household cleaner. Do not use solvents containing strong chemicals.

All finishes

Do not use any cleaning products containing acetone.