

# SORENTHIA QUAD

# DUNN

## DESCRIPTION

Four Sorenthia Lights on a sleek, handmade canopy create a stunning, modern fixture.

## DETAILS

Lead Time | 8–10 Weeks

Materials | Steel and brass

Weight | 28 lbs

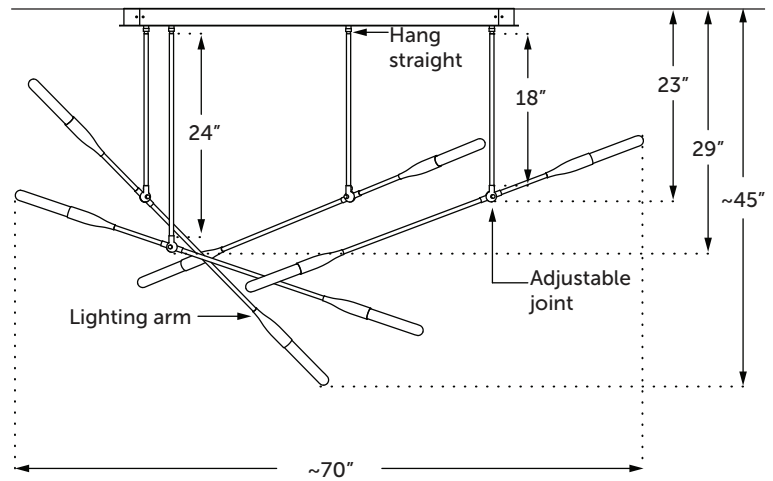
Canopy | 44" Length x 5.25" Width x 2" Height

Lamping | 120V/60Hz, E26 sockets, 60W max

Made In | USA



## FRONT VIEW



## FINISH OPTIONS



**SOR-QUA-B**  
Brushed Brass  
Brass Details



**SOR-QUA-N**  
Brushed Nickel  
Nickel Details



**SOR-QUA-OR-B**  
Oil Rubbed Brass  
Brass Details



**SOR-QUA-BP-B**  
Black Poppy  
Brass Details



**SOR-QUA-BP-N**  
Black Poppy  
Nickel Details

Metal details include canopy screw caps, hang straights, and joint piece screws.

## DIMENSIONS

Angles of lighting arms can be rotated at joints, allowing a range of dimensions:

**Overall Height** | 31"–57"

**Width** | 44" - 100"

**Depth** | 18" - 62"

## BULBS

Sold separately. Please visit our website for details. Many styles of bulbs work with our fixtures. Refer to the lamping specifications to determine compatibility.

## CUSTOMIZATION



This product is available in custom powder coat colors and plated finishes. Please note that fees will apply. For more information, please refer to our Custom Powder Coating guide or contact us.

This product can be customized in length and configuration.

Finish samples sold online.

(401)-400-0206  
info@studiodunn.com  
www.studiodunn.com

Each piece is built to order.

310 Bourne Ave  
Building #1  
Rumford, RI 02916

Designed by Studio DUNN, 2013

For quotes & custom inquiries  
please contact Studio DUNN:  
info@studiodunn.com