

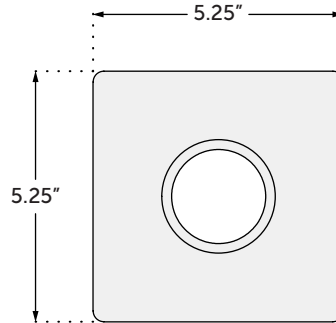
# TETRA I - FLUSH MOUNT

# DUNN

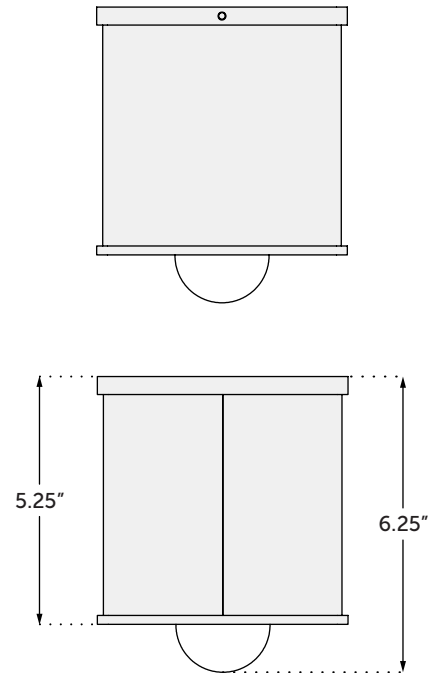
## DESCRIPTION

The Tetra I embodies contemporary elegance as a flush mount lighting fixture with bold, striking geometry and a hint of playfulness. Inspired by 90s puzzle video games, the Tetra I invites the user to play with the object's orientation and arrangement, whether mounted solo or in groups on the wall or ceiling. Drawing from its Greek origins, "tetra" meaning four, refers to the fixture's square geometry. The piece consists of a cube-shaped housing sandwiched between two square plates. An exposed bulb peeks out from the surface casting a captivating glow of light.

## FRONT VIEW



## SIDE VIEW



## DETAILS

**Lead Time** | 10–12 Weeks

**Materials** | Mixed metals

**Weight** | 2.5 lbs

**Dimensions** | 5.25" Height (without bulb) x 5.25" Width x 5.25" Depth

**Lamping** | 120V/60Hz, E26 Socket, 60W max

**Made In** | USA



## FINISH AND SIZE OPTIONS



**TET-I-FM-B**  
Brushed Brass Housing  
Black Poppy Plates



**TET-I-FM-N**  
Brushed Nickel Housing  
Black Poppy Plates



**TET-I-FM-CC**  
Country Cream Housing  
Black Poppy Plates



**TET-I-FM-BP**  
Black Poppy Housing  
Black Poppy Plates



**TET-I-FM-CPC**  
Custom Powder Coat  
Black Poppy Plates

## BULBS

For use with E26 base G16.5 or A15 bulb. Sold separately. Please visit our website for details. Many different styles of bulbs work with our fixtures. Please refer to the lamping specifications to determine compatibility.

## CUSTOMIZATION



Custom powder coat colors and custom multi-cube configurations. Please inquire for options and pricing.

Finish samples sold online.

(401)-400-0206  
info@studiodunn.com  
www.studiodunn.com

Each piece is built to order.

310 Bourne Ave  
Building #1  
Rumford, RI 02916

Designed by Studio DUNN, 2024

For quotes & custom inquiries  
please contact Studio DUNN:  
info@studiodunn.com