

TETRA III - FLUSH MOUNT

DUNN

DESCRIPTION

The Tetra III embodies contemporary elegance as a flush mount lighting fixture with striking geometry and a hint of playfulness. Inspired by 90s puzzle video games, the Tetra III invites the user to play with the object's orientation whether mounted on the wall or ceiling. Drawing from its Greek origins, "tetra" meaning four, refers to the fixture's square geometry. Comprising three cube-shaped housings sandwiched between plates consisting of intersecting squares, it offers a visually intriguing composition of positive and negative space. Exposed bulbs peek out from the surface creating a captivating array of light.

DETAILS

Lead Time | 10–12 Weeks

Materials | Mixed metals

Weight | 7.5 lbs

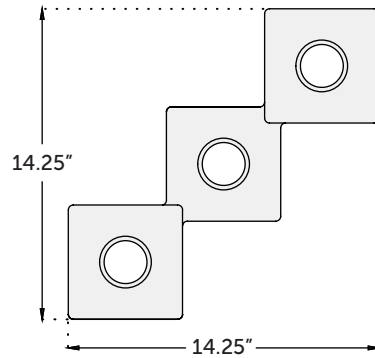
Dimensions | 14.25" Height x 14.25" Width x 10" Depth (without bulb)

Lamping | 120V/60Hz, E26 Socket, 60W max

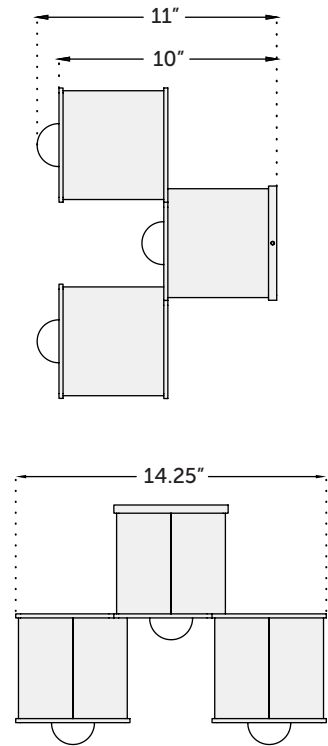
Made In | USA



FRONT VIEW



SIDE VIEW



FINISH AND SIZE OPTIONS



TET-III-FM-B
Brushed Brass Housing
Black Poppy Plates



TET-III-FM-N
Brushed Nickel Housing
Black Poppy Plates



TET-III-FM-CC
Country Cream Housing
Black Poppy Plates



TET-III-FM-BP
Black Poppy Housing
Black Poppy Plates



TET-III-FM-CPC
Custom Powder Coat
Black Poppy Plates

BULBS

For use with E26 base G16.5 or A15 bulb. Sold separately. Please visit our website for details. Many different styles of bulbs work with our fixtures. Please refer to the lamping specifications to determine compatibility.

CUSTOMIZATION



Custom powder coat colors and custom multi-cube configurations. Please inquire for options and pricing.

Finish samples sold online.

(401)-400-0206
info@studiodunn.com
www.studiodunn.com

Each piece is built to order.

310 Bourne Ave
Building #1
Rumford, RI 02916

Designed by Studio DUNN, 2024

For quotes & custom inquiries
please contact Studio DUNN:
info@studiodunn.com